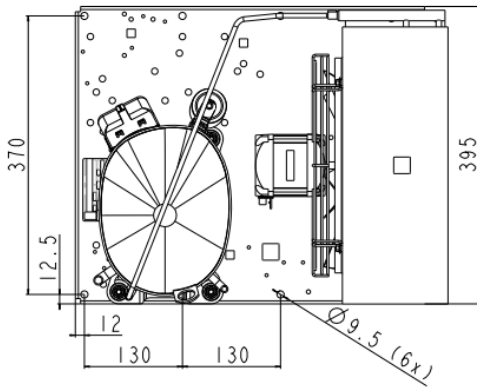
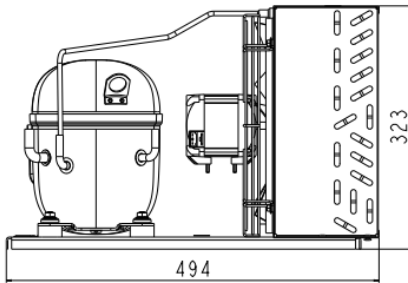


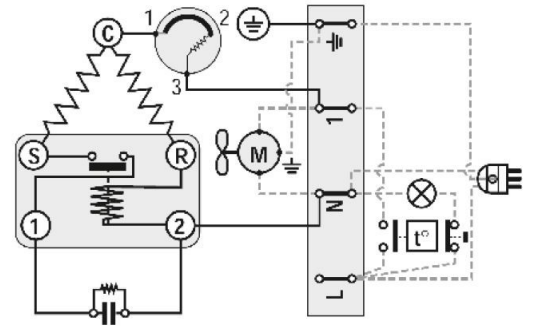
**GENERAL DATA**

<b>Application:</b>	LBP
<b>Refrigerant:</b>	R404A
<b>Expansion Device:</b>	C-V
<b>Weight:</b>	29.2 kg
<b>Receiver:</b>	0 liter
<b>Voltage/Frequency:</b>	<b>220 - 240 V 50 ~</b>
<b>Height:</b>	29.2 mm
<b>Length:</b>	494 mm
<b>Width:</b>	395 mm
<b>Institute Approvals:</b>	<b>CE</b>

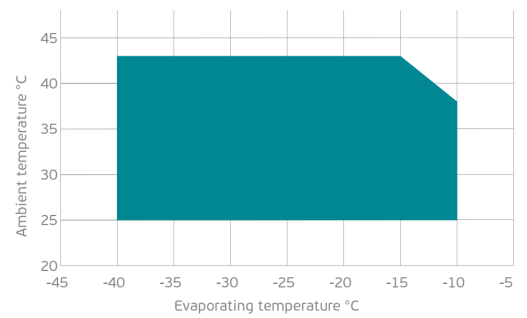
**EXTERNAL DIMENSIONS**



**WIRING DIAGRAM**



**OPERATING ENVELOPE**



**COMPONENTS (SPARE PARTS)**

<b>condenser:</b>	3R12T	2451218
<b>compressor:</b>	NT2192GK	923EA04..AC

<b>elkit:</b>	ELKOM NT2192GK	923EA0404A
<b>fankit:</b>	34W 275/31/5B	1996588

For additional accessories please contact our technical support

**ELECTRICAL DATA**

**Motor Type:** CSIR -  
**Locked Rotor Amperage (LRA):** 35 A  
**Max.Current:** 5.5 A

At maximum evaporating temperature and maximum ambient temperature.

**FAN MOTOR**

**Number:** 1 -  
**Shaft Power:** 34 W  
**Air Flow:** 800 m<sup>3</sup>/h  
**Blade Diameter:** 275 mm

**PERFORMANCE CURVE DATA**

Standard: EN13215-RG20 / return gas 20°C, subcooling 3K

50 Hz

	Evaporating Temperature (°C)	Cooling Capacity (W)	Power Consumption (W)	Current Consumption (A)	Efficiency (W/W)
25 °C Ambient Temperature	-10°C	2 001	1 098	6.39	1.82
	-15°C	1 664	996	5.97	1.67
	-20°C	1 361	896	5.58	1.52
	-25°C	1 091	798	5.22	1.37
	-30°C	855	704	4.91	1.22
	Rated point -35°C	654	612	4.63	1.07
	-40°C	486	524	4.39	0.93
32 °C Ambient Temperature	-10°C	1 820	1 134	6.59	1.61
	-15°C	1 513	1 026	6.15	1.47
	-20°C	1 236	922	5.74	1.34
	-25°C	991	821	5.38	1.21
	-30°C	777	725	5.06	1.07
	Rated point -35°C	595	632	4.78	0.94
	-40°C	443	544	4.55	0.81
43 °C Ambient Temperature	-15°C	1 461	1 099	6.43	1.33
	-20°C	1 199	977	5.95	1.23
	-25°C	963	861	5.51	1.12
	-30°C	754	750	5.13	1.01
	Rated point -35°C	572	645	4.80	0.89
	-40°C	417	546	4.52	0.76