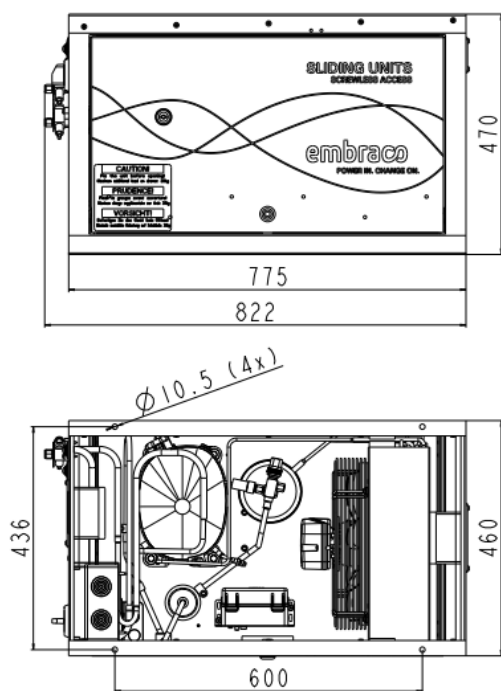


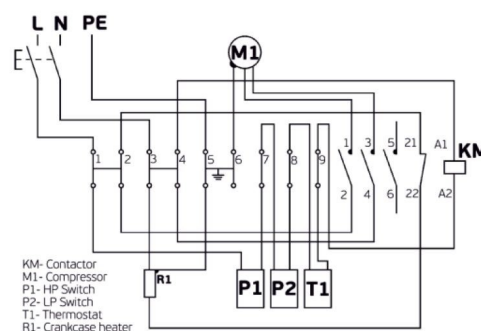
### GENERAL DATA

<b>Application:</b>	M/HBP
<b>Refrigerant:</b>	R404A
<b>Expansion Device:</b>	C-V
<b>Weight:</b>	75.5 kg
<b>Receiver:</b>	2.3 liter
<b>Voltage/Frequency:</b>	<b>220 - 240 V 50 ~</b>
<b>Height:</b>	75.5 mm
<b>Length:</b>	822 mm
<b>Width:</b>	460 mm
<b>Institute Approvals:</b>	<b>CE</b>

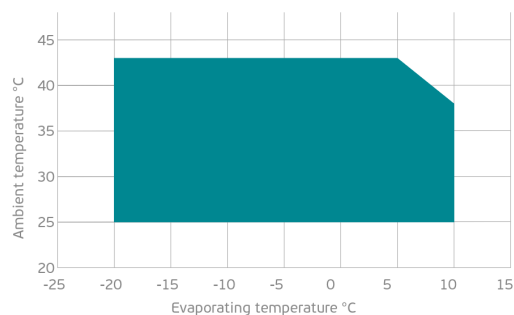
### EXTERNAL DIMENSIONS



### WIRING DIAGRAM



### OPERATING ENVELOPE



### COMPONENTS (SPARE PARTS)

<b>condenser:</b>	3R14T	2451221
<b>valve_suca:</b>	SOLDER 1/2"	2110118
<b>dryer:</b>	FILTER DRYER 10MM ODF	2730010
<b>lpressostat:</b>	PS1-A3K	2466036
<b>hpressostat:</b>	P100CP-106D	2466034
<b>compressor:</b>	NT6226GK	923BA02..AC

<b>fankit:</b>	S4E300-XX	1996589
<b>valve_disch:</b>	SOLDER 3/8"	2110119
<b>sightglass:</b>	SIGHT GLASS 10MM ODF	2464040
<b>flexihose:</b>	FLEXI HOSE 12MM ODF	2464244
<b>heater:</b>	CRANKCASE HEATER 230V/40W	2464205
<b>elkit:</b>	ELECTRICAL BOX/PROTECTOR	1996566/2289018

For additional accessories please contact our technical support



**ELECTRICAL DATA**

Motor Type:	CSR -
Locked Rotor Amperage (LRA):	38 A
Max.Current:	7.2 A

At maximum evaporating temperature and maximum ambient temperature.

**FAN MOTOR**

Number:	1 -
Shaft Power:	95 W
Air Flow:	1450 m <sup>3</sup> /h
Blade Diameter:	- mm

**PERFORMANCE CURVE DATA**

Standard: EN13215-RG20 / return gas 20°C, subcooling 3K

50 Hz

	Evaporating Temperature (°C)	Cooling Capacity (W)	Power Consumption (W)	Current Consumption (A)	Efficiency (W/W)
25 °C Ambient Temperature	10°C	2 973	1 545	7.40	1.92
	5°C	2 708	1 403	6.75	1.93
	0°C	2 417	1 274	6.15	1.90
	-5°C	2 115	1 156	5.60	1.83
	Rated point -10°C	1 818	1 046	5.11	1.74
	-15°C	1 542	944	4.65	1.63
	-20°C	1 303	847	4.25	1.54
32 °C Ambient Temperature	10°C	2 700	1 594	7.63	1.69
	5°C	2 465	1 446	6.96	1.70
	0°C	2 201	1 312	6.34	1.68
	-5°C	1 926	1 190	5.77	1.62
	Rated point -10°C	1 654	1 078	5.26	1.53
	-15°C	1 401	973	4.80	1.44
	-20°C	1 183	875	4.38	1.35
43 °C Ambient Temperature	5°C	2 084	1 539	7.40	1.35
	0°C	1 867	1 394	6.73	1.34
	-5°C	1 636	1 263	6.12	1.30
	Rated point -10°C	1 404	1 142	5.57	1.23
	-15°C	1 190	1 031	5.08	1.15
	-20°C	1 007	927	4.64	1.09