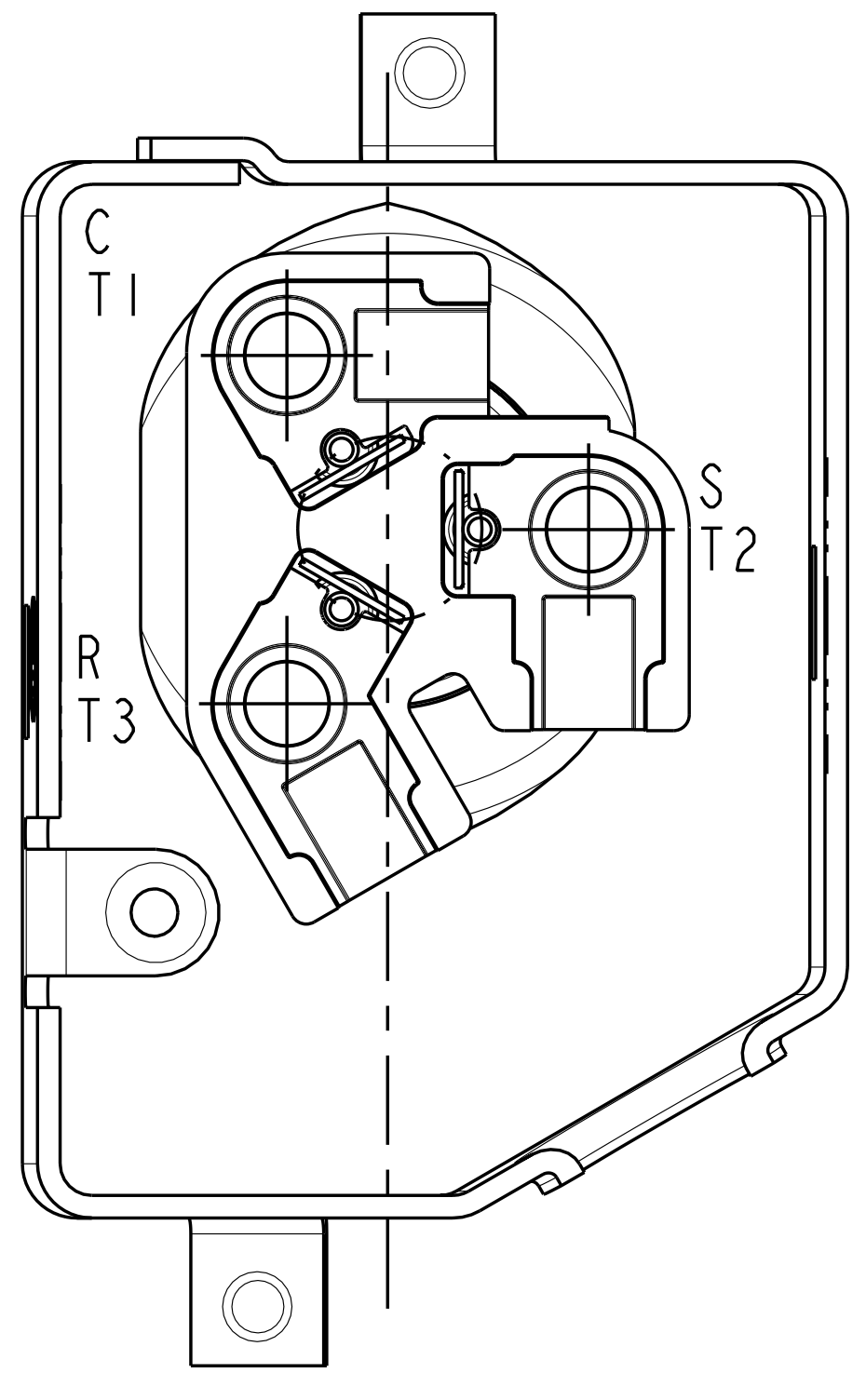
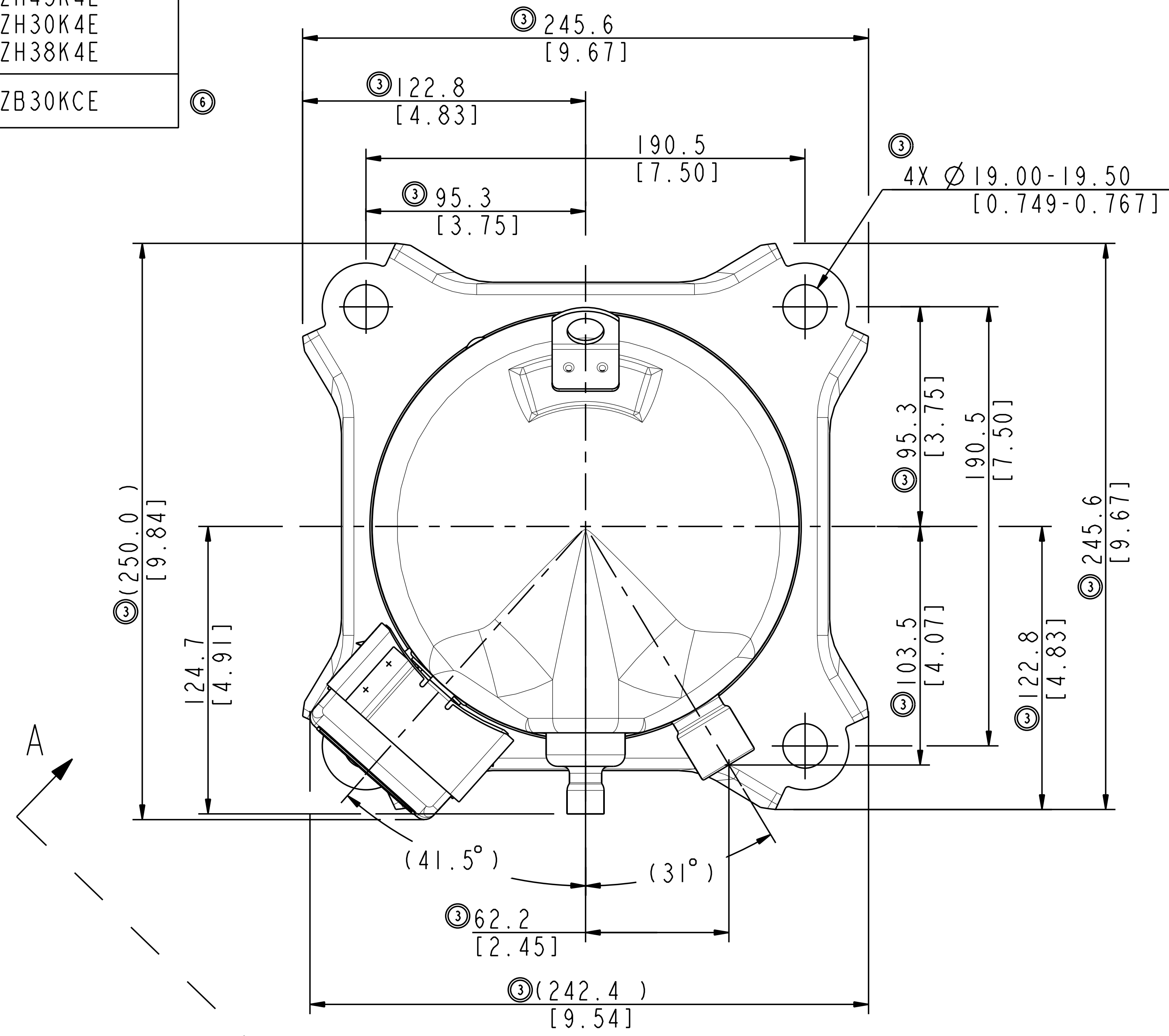
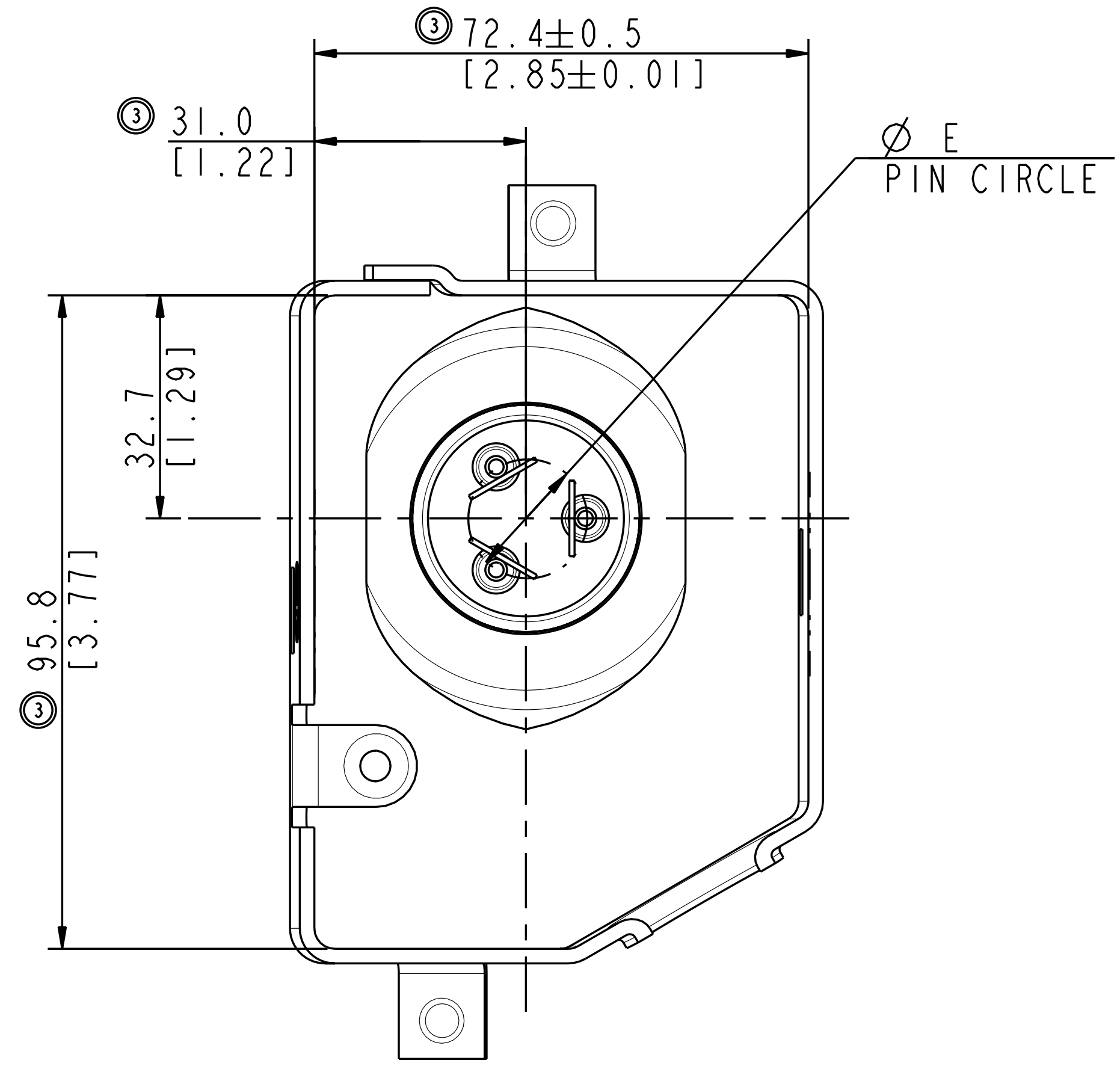


MODEL NUMBER
ZH45K4E
ZH30K4E
ZH38K4E
ZB30KCE

SPECIFICATIONS	
ES NO.	DESCRIPTION
ES81-159	CLEANLINESS
ES81-250	IDENTIFICATION
ES92-155	CONVERSION-METRIC



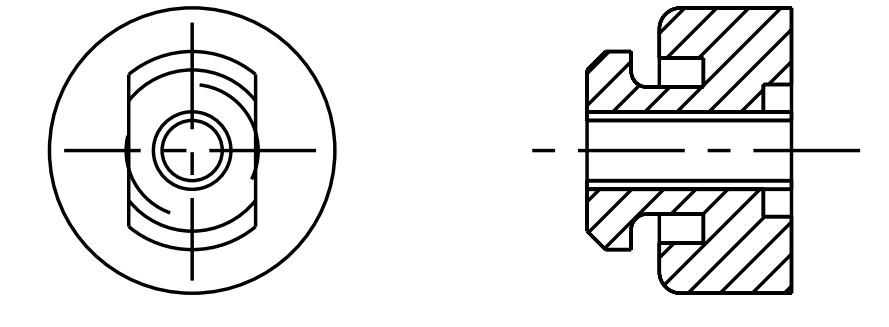
TERMINAL BOX LAYOUT
OPTIONAL
SCALE 3:2



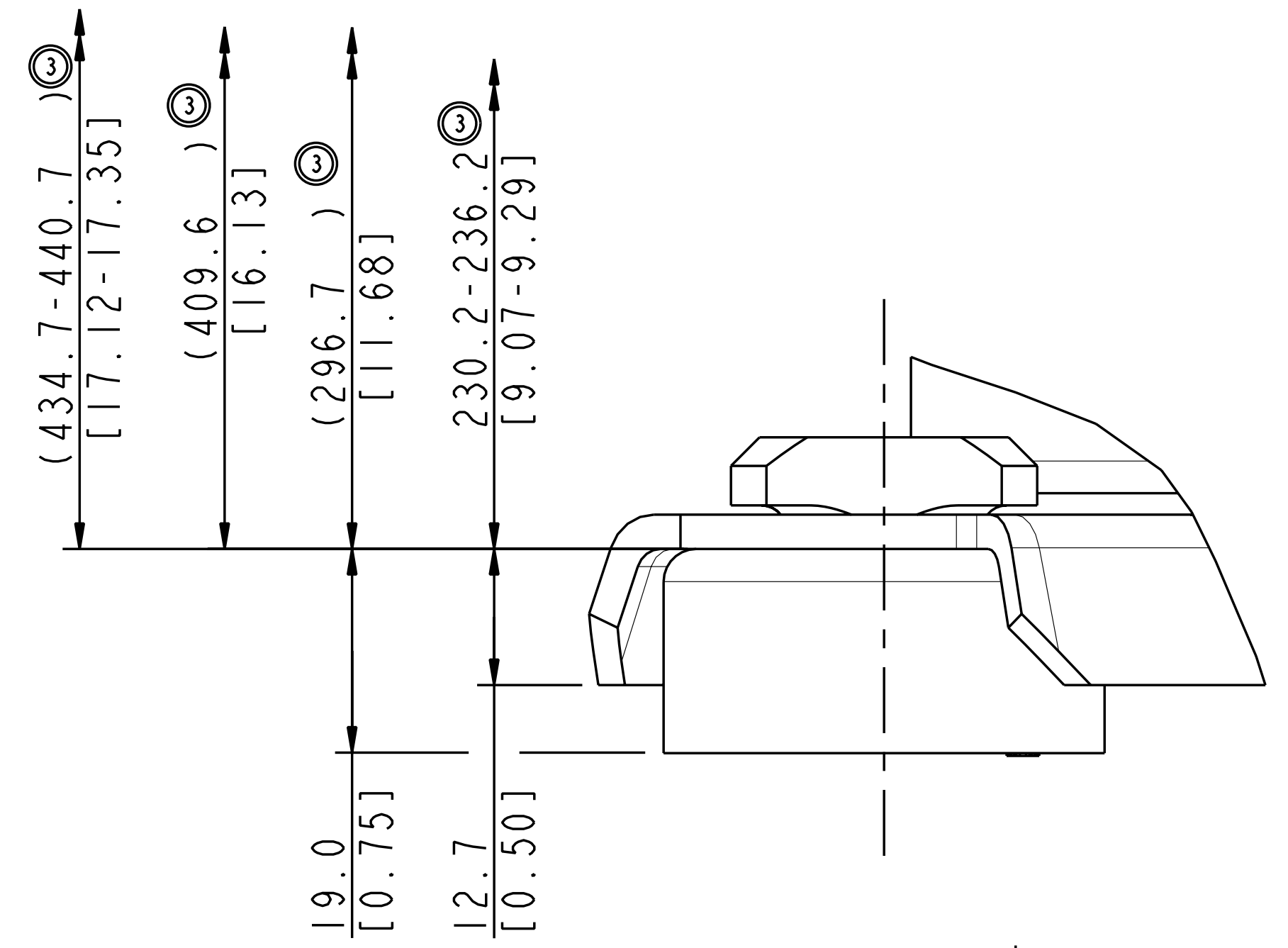
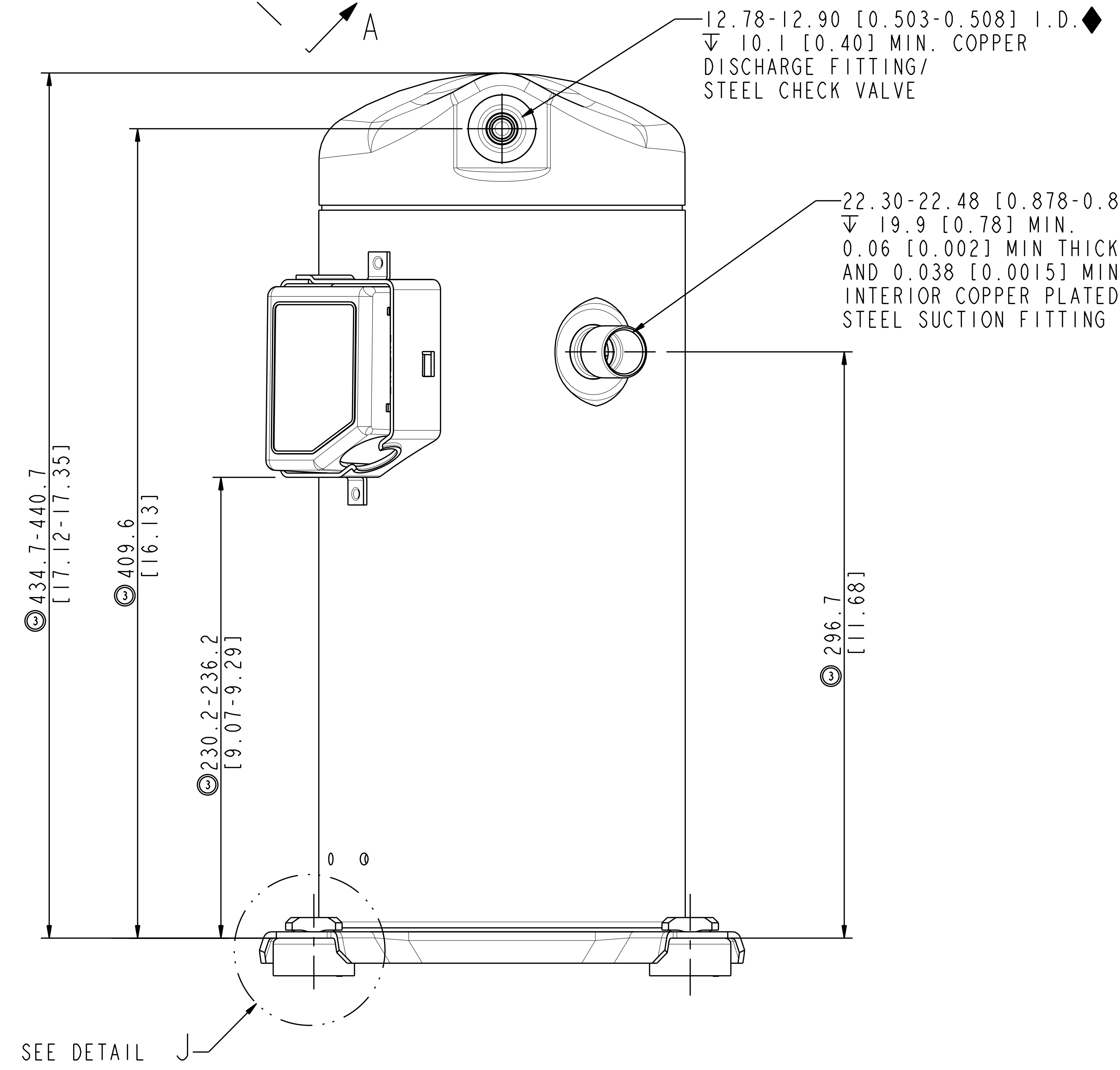
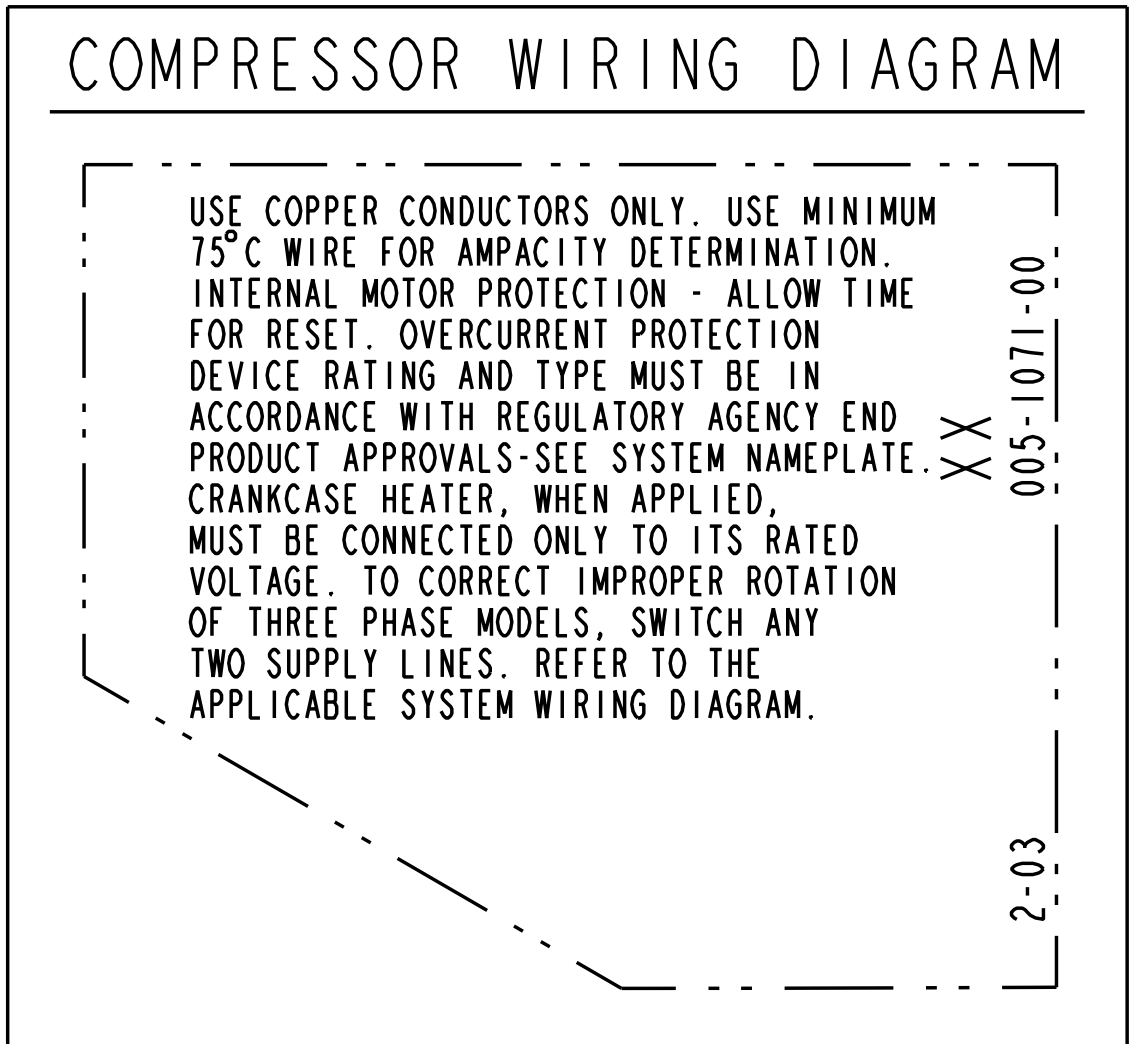
TERMINAL BOX LAYOUT
STANDARD
VIEW A-A
SCALE 3:2

- NOTES:
- 1 ALL TOLERANCES ± 1.50 [0.060] UNLESS OTHERWISE SPECIFIED.
 - 2 TUBE ENDS MUST BE PLUGGED.
 - 3 SEE PRODUCT CATALOG FOR MODELS RELEASED.
 - 4 MOUNTING KIT.

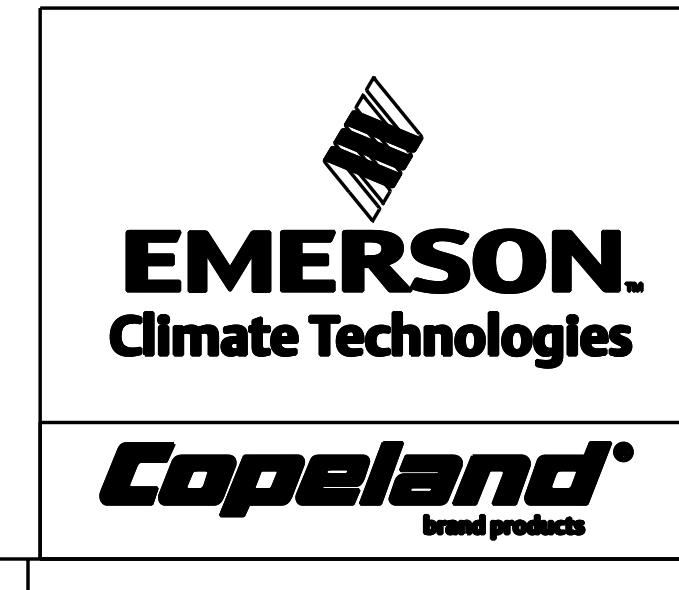
GROMMET DUROMETER	4 FOOT KIT
35-45	527-0116-00



MOTOR TYPE	Ø E PIN CIRCLE
PFJ/TFR/PFZ/TF5	13.46 [0.530]
TFD	17.45 [0.687]



DETAIL J
SCALE 2:1



INTERPRET PER ASME Y14.5M-1994 AND EMERSON CLIMATE TECHNOLOGIES, INC. DESIGN STANDARDS DS2002 DO NOT SCALE DRAWING

THIRD ANGLE PROJECTION

CRITICAL PRODUCT CHARACTERISTIC

UNLESS OTHERWISE SPECIFIED DIMENSIONS ARE MILLIMETER OR (INCH)

TOLERANCES:
1-PLACE \pm
2-PLACE \pm
ANGULAR \pm N/A

ECN008250	7	ECN# CORRECTION	04-24-14	LG	LB	VC
ECN008250	6	ADDED ZB30 MODEL	03-24-14	LG	LB	VC
ECN000986	5	ADDED MOTOR TYPE 'TFR/PFZ'	06-04-09	JYU	KL	VC
32-0906-047	4	CHANGED FORMAT FOR PROJECT INC	02-28-07	SVK	CHK	RST
32-0806-080	3	REDRAWN AND REVISED	11-11-03	MMD	DC	DC
32-1001-010	0	RELEASED	10-15-01	DES	CHK	
ENG NOTICE NO.	REV. NO.	REVISIONS	DATE	BY	CHKD	APPR
<p>CONFIDENTIALITY NOTICE</p> <p>THIS DRAWING AND INFORMATION CONTAINED HEREIN ARE THE EXCLUSIVE PROPERTY OF EMERSON CLIMATE TECHNOLOGIES, INC. AND SHALL BE RETURNED UPON DEMAND AND SHALL NOT BE REPRODUCED IN WHOLE OR IN PART, DISCLOSED TO ANYONE ELSE OR USED, WITHOUT THE WRITTEN CONSENT OF EMERSON CLIMATE TECHNOLOGIES, INC.</p>						
MATERIAL SPECIFICATION			SUPERSEDES DWG. NO. / REV. NO.			
N/A			OTL	497-0370-00 / 2		
			DATE	SCALE	DATE FORMAT:	
			11-11-03	3:4	MM-DD-YY	
TITLE			DRAWING NUMBER		SHEET 1 OF 1	
REF DWG-WELD COMP ASSM			497-0370-00		5	
UNCONTROLLED - DO NOT MODIFY						

©COPYRIGHT EMERSON CLIMATE TECHNOLOGIES, INC. - CONFIDENTIAL