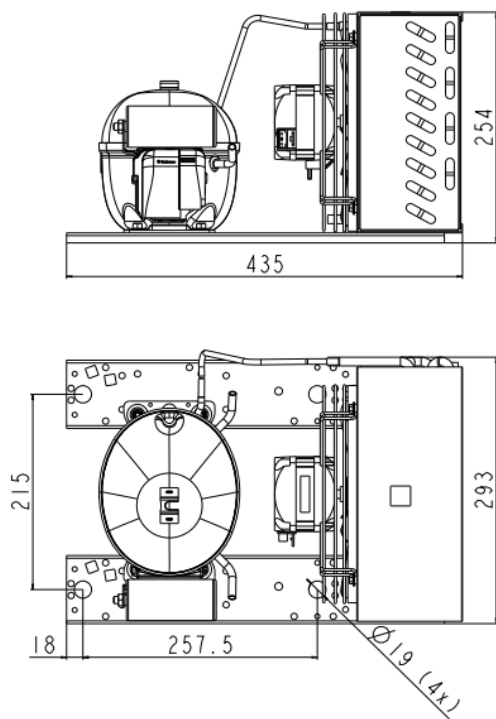


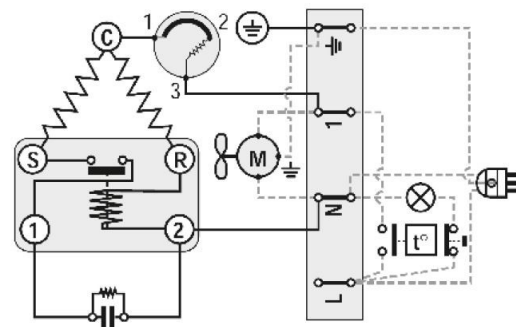
GENERAL DATA

Application:	M/HBP
Refrigerant:	R134a
Expansion Device:	C-V
Weight:	13.7 kg
Receiver:	0 liter
Voltage/Frequency:	220 - 240 V 50 ~
Height:	13.7 mm
Length:	435 mm
Width:	293 mm
Institute Approvals:	CE

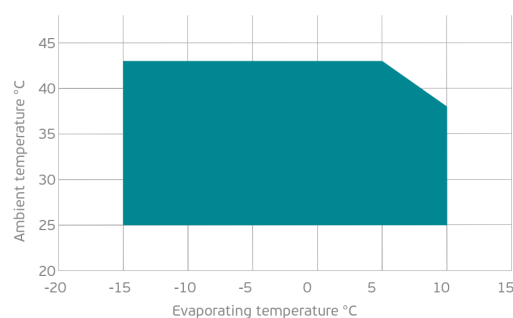
EXTERNAL DIMENSIONS



WIRING DIAGRAM



OPERATING ENVELOPE



COMPONENTS (SPARE PARTS)

condenser:	3R9T	2451205
compressor:	EMT6160Z	194QA67..AR

fankit:	10W 230/31/5B	1996699
elkit:	ELCOM EMT6160Z	194QA6764A

For additional accessories please contact our technical support

ELECTRICAL DATA

Motor Type: CSIR -
Locked Rotor Amperage (LRA): 13.5 A
Max.Current: 1.87 A

At maximum evaporating temperature and maximum ambient temperature.

FAN MOTOR

Number: 1 -
Shaft Power: 10 W
Air Flow: 420 m³/h
Blade Diameter: 230 mm

PERFORMANCE CURVE DATA

Standard: EN13215-RG20 / return gas 20°C, subcooling 3K

50 Hz

	Evaporating Temperature (°C)	Cooling Capacity (W)	Power Consumption (W)	Current Consumption (A)	Efficiency (W/W)
25 °C Ambient Temperature	10°C	857	325	1.89	2.64
	5°C	732	295	1.78	2.48
	0°C	619	268	1.69	2.31
	-5°C	517	244	1.62	2.12
	Rated point -10°C	427	222	1.55	1.92
	-15°C	348	203	1.50	1.71
32 °C Ambient Temperature	10°C	778	335	1.95	2.32
	5°C	666	304	1.84	2.19
	0°C	564	276	1.74	2.04
	-5°C	471	251	1.66	1.88
	Rated point -10°C	388	229	1.60	1.70
	-15°C	315	209	1.55	1.51
43 °C Ambient Temperature	5°C	585	328	1.92	1.78
	0°C	499	297	1.81	1.68
	-5°C	420	268	1.71	1.57
	Rated point -10°C	348	242	1.63	1.44
	-15°C	283	219	1.56	1.29