

## GS26MLX MBP Compressor R404A/R507 220-240V 50Hz

### General

Code number	107B0503
Approvals	EN 60335-2-34
Compressors on pallet	48

### Application

Application	MBP		
Frequency	Hz	50	60
Evaporating temperature	°C	-20 to 7.2	-
Voltage range	V	198 - 254	-
Max. condensing temperature continuous (short)	°C	50 (60)	-
Max. winding temperature continuous (short)	°C	125 (135)	-

### Cooling requirements

Frequency	Hz	50			60		
Application		LBP	MBP	HBP	LBP	MBP	HBP
32°C		-	F <sub>2</sub>	-	-	-	-
38°C		-	F <sub>2</sub>	-	-	-	-
43°C		-	F <sub>2</sub>	-	-	-	-
Remarks on application:							

### Motor

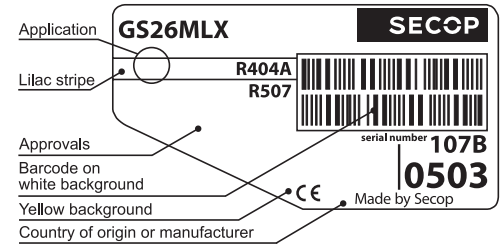
Motor type	CSR		
LRA (rated after 4 sec. UL984), HST   LST	A	34.6	-
Cut in Current, HST   LST	A	34.6	-
Resistance, main   start winding (25°C)	Ω	1.7	8.1

### Design

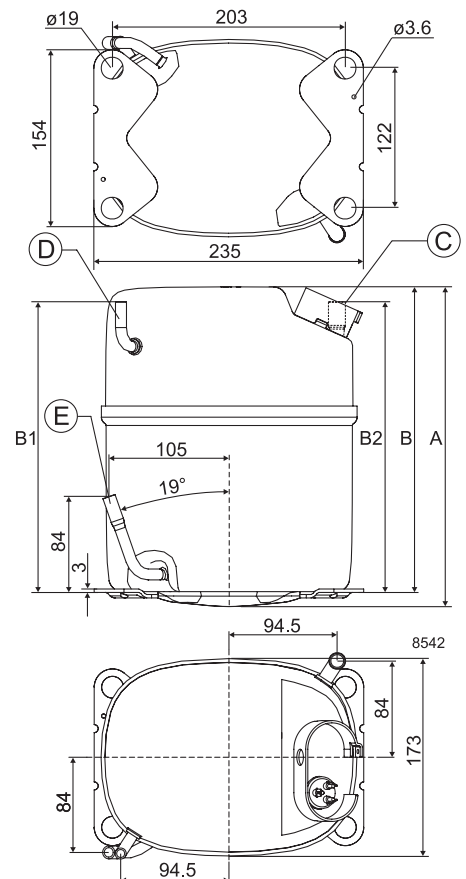
Displacement	cm <sup>3</sup>	26.30
Oil quantity (type)	cm <sup>3</sup>	900 (polyolester)
Maximum refrigerant charge	g	2000
Free gas volume in compressor	cm <sup>3</sup>	3670
Weight without electrical equipment	kg	21.4

### Dimensions

Height	mm	A	279
		B	267
		B1	254
		B2	254
Suction connector	location/I.D. mm   angle	C	16.1   90°
	material   comment		Copper   Rubber plug
Process connector	location/I.D. mm   angle	D	6.5   90°
	material   comment		Copper   Rubber plug
Discharge connector	location/I.D. mm   angle	E	9.7   19°
	material   comment		Copper   Rubber plug
Oil cooler connector	location/I.D. mm   angle	F	-
	material   comment		-
Connector tolerance	I.D. mm		16.1±0.15, 9.7 ±0.1, 6.5 ±0.10
Remarks:			



- S = Static cooling normally sufficient
- O = Oil cooling
- F<sub>1</sub> = Fan cooling 1.5 m/s  
(compressor compartment temperature equal to ambient temperature)
- F<sub>2</sub> = Fan cooling 3.0 m/s necessary
- SG = Suction gas cooling normally sufficient
- = not applicable in this area



**EN 12900**

220V, 50Hz, fan cooling F<sub>2</sub>

Evap. temp. in °C	-45	-40	-35	-30	-25	-23.3	-20	-15	-10	-6.7	-5	0	5	7.2	10	15	20
Capacity in W							1426	1810	2254	2586	2764	3351	4022	4345			
Power cons. in W							993	1105	1213	1284	1319	1424	1532	1581			
Current cons. in A							5.07	5.56	6.05	6.39	6.55	7.06	7.57	7.80			
COP in W/W							1.44	1.64	1.86	2.01	2.10	2.35	2.62	2.75			

**ARI 540-99 (MBP)**

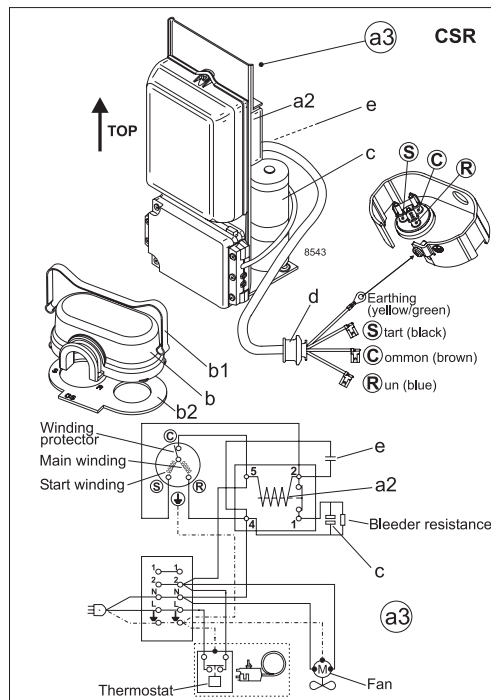
220V, 50Hz, fan cooling F<sub>2</sub>

Evap. temp. in °C	-45	-40	-35	-30	-25	-23.3	-20	-15	-10	-6.7	-5	0	5	7.2	10	15	20
Capacity in W							1222	1559	1945	2234	2389	2899					
Power cons. in W							1009	1133	1251	1327	1365	1479					
Current cons. in A							5.15	5.68	6.21	6.57	6.74	7.29					
COP in W/W							1.21	1.38	1.56	1.68	1.75	1.96					

**ARI 540-99 (HBP)**

220V, 50Hz, fan cooling F<sub>2</sub>

Evap. temp. in °C	-45	-40	-35	-30	-25	-23.3	-20	-15	-10	-6.7	-5	0	5	7.2	10	15	20
Capacity in W							1112	1430	1792	2062	2206	2682	3227	3494			
Power cons. in W							1032	1173	1307	1393	1436	1563	1691	1748			
Current cons. in A							5.26	5.84	6.43	6.82	7.01	7.61	8.21	8.48			
COP in W/W							1.08	1.22	1.37	1.48	1.54	1.72	1.91	2.00			



Accessories for GS26MLX	Figure	Code number	Test conditions	EN 12900	ARI 540-99 (MBP)	ARI 540-99 (HBP)
Starting device	a3	117-7072	Condensing temperature	45°C	48.9°C	54.4°C
600 mm cable length			Ambient temperature	32°C	35°C	35°C
			Suction gas temperature	20°C	4.4°C	18.3°C
			Liquid temperature	no subcooling	no subcooling	no subcooling
Cover	b	107B9101 *)				
Clamp	b1	107B9104 *)				
Gasket	b2	107B9100 *)				
Starting relay	a2	Components of starting device	<b>Mounting accessories</b>			
Start. capacitor	c		<b>Code number</b>			
Run capacitor	e		Bolt joint for one comp. 107B9150			
*) Remarks: Cover, clamp, gasket parts of compressor			Bolt joint in quantities -			
			Snap-on in quantities -			

Nidec GA Compressors accepts no responsibility for possible errors in catalogs, brochures, and other printed material. Nidec GA Compressors reserves the right to alter its products without notice. This also applies to products already on order provided that such alterations can be made without consequential changes being necessary to specifications already agreed. All trademarks in this material are the property of the respective companies. Secop and the Secop logotype are trademarks of Nidec Global Appliance Germany GmbH. All rights reserved. [www.secop.com](http://www.secop.com)