

## Data sheets

For standard refrigerants > Standard series

| Technical data:   |             |                                   |
|---|-------------|-----------------------------------|
| Cylinders   | #           | 2                                 |
| Displacement @ 50 Hz  | m3/h [50Hz] | 16.4                              |
| Displacement @ 60 Hz  | m3/h [60Hz] | 19.7                              |
| Motor version[1]  |             | 2                                 |
| Nominal Motor power   | HP          | 3                                 |
| Nominal Motor power   | kW          | 2.2                               |
| Motor voltage at 50 Hz[2]                                       | V/ph/Hz     | 220-240V -<br>380-420V/3/50Hz DOL |
| Motor voltage at 60 Hz[2]                                       | V/ph/Hz     | 265-290V -<br>440-480V/3/60Hz DOL |
| RSH Head capacity control steps                                 | %           | 100-50                            |
| MRA, max operating current at 230V/50Hz and 280V/60Hz           | A           | 17.2                              |
| MRA, max operating current at 400V/50Hz and 460V/60Hz           | A           | 9.9                               |
| LRA, max starting current at 230V/50Hz and 280V/60Hz, DOL motor | A           | 75.9                              |
| Max power consumption   | kW          | 5.4                               |
| Frequency min   | Hz          | 30                                |
| Frequency max[3]  | Hz          | 87                                |
| Control and protection device                                   |             | INT69®                            |
| Electric terminal box class protection                          |             | IP56                              |
| Maximum pressure HP   | bar         | 30                                |
| Maximum pressure LP   | bar         | 20.5                              |
| Oil type[4]   |             | POE32                             |
| Oil charge (3/4 of sight glass)                                 | l           | 1.1                               |
| Lubrication type  |             | Centrifugal                       |
| Suction valve (SV)  | inch        | 1 1/8                             |
| Discharge valve (DV)  | inch        | 3/8                               |
| Net weight  | kg          | 49                                |
| Max Length  | mm          | 374                               |
| Max Width   | mm          | 242                               |
| Max Height  | mm          | 317                               |
| Rubber mounts diameter  | mm          | 30                                |
| Rubber mounts height  | mm          | 30                                |
| Rubber mounts shore   | sh          | 45                                |
| Sound power level (-10/45, R404A)[5]                            | dB(A)       | 67                                |
| Sound pressure level @ 1m (-10/45, R404A)[5]                    | dB(A)       | 59                                |
| Compressor body material  |             | Ghisa GJL250                      |
| Motor protection  |             | PTC                               |
| Oil level sight glass   | #           | 1                                 |
| LRA, max starting current at 400V/50Hz and 460V/60Hz, DOL motor | A           | 43.7                              |

[1] Motor version: 1 = high and mid temp. all refrigerants; 2 = low and mid temp. all refrigerants; 3 = ECOinside, low temp. R134a, R1234ze, R1234yf only

[2] Other motor voltage available on request

[3] Maximum frequency depends on the working conditions: use the FSS.3 (Frascold selection software)

[4] For alternative lubricants refer to bulletin FTEC022

[5] Sound pressure in free field, hemispherical model at 1 meter distance, 50Hz; PWL and SPL in different conditions are available on

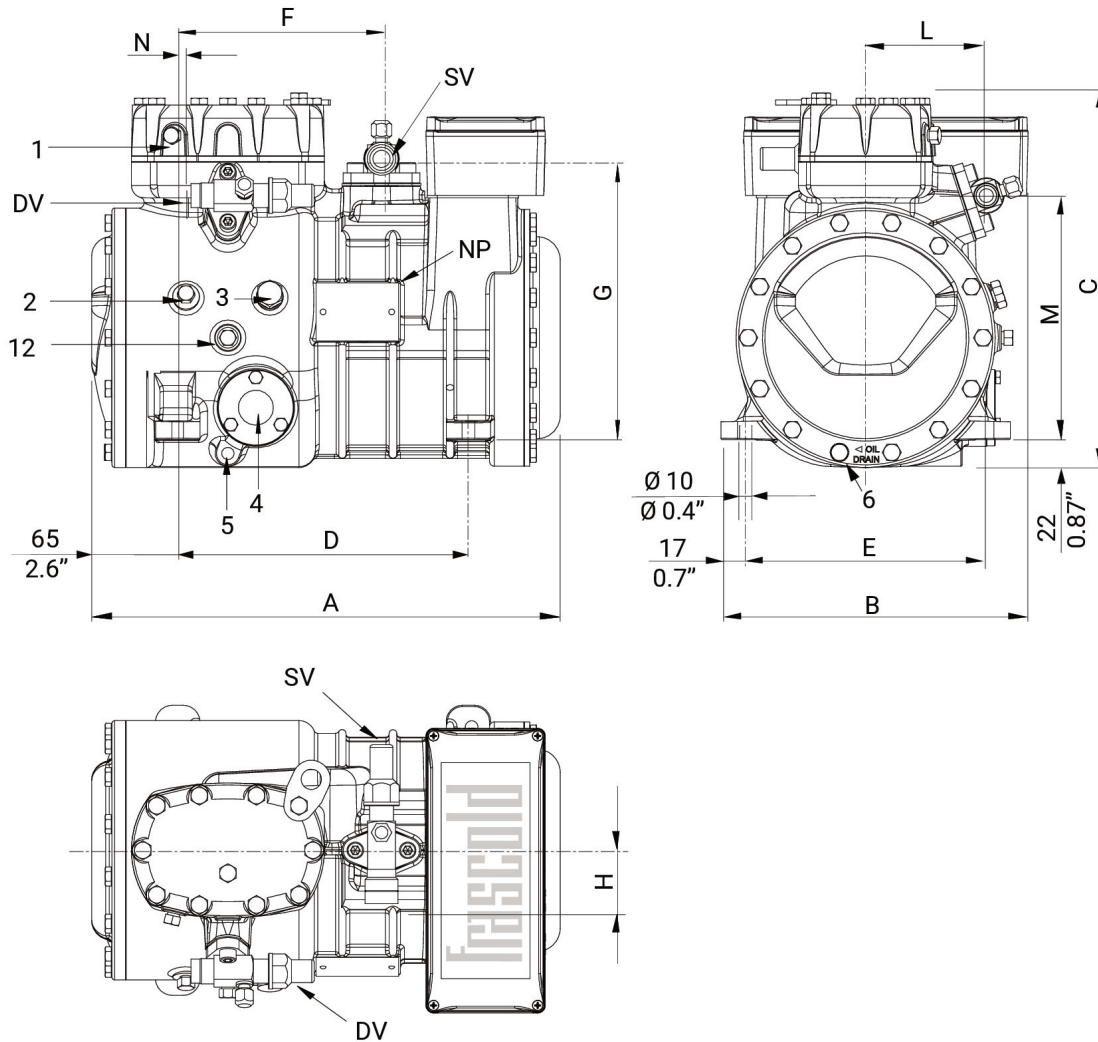
## Data sheets

For standard refrigerants > Standard series

| Accessories:   |              |
|--|--------------|
| Water cooled head  | T00SK50020   |
| Electronic control module - INT 69 Diagnose (230/110V)       | T00EC01D-RIC |
| Oil heater (230V-50W)  | T00CH13-RIC  |
| Head cooling fan - 230V/1/50-60Hz                            | SZ-FM1       |
| Electronic oil level regulator - INT280 Diagnose 230V AC     | T00EC1900    |
| Kit adapters for oil equalization line - 1" ROT 5/8" ODS     | T00SK170200  |
| Kit adapters for oil equalization line - 1"1/4 ROT 1"1/8 ODS | T00SK170300  |
| RSH capacity control head 230V AC                            | T00SK220330  |
| DP Modbus Gateway  | T00EC59      |
| Connection cable Modbus Gateway - INT69                      | T00EC64      |

## Data sheets

For standard refrigerants > Standard series



### Dimensional drawing:

|                          |      |          |
|--------------------------|------|----------|
| SV Suction valve (SV)    | mm   | 28.6     |
| DV Discharge valve (DV)  | mm   | 15.8     |
| SV Suction valve (SV)    | inch | 1 1/8    |
| DV Discharge valve (DV)  | inch | 5/8      |
| A Length (A)             | mm   | 374      |
| B Width (B)              | mm   | 242      |
| C Height (C)             | mm   | 317      |
| D Base mounting (D)      | mm   | 234      |
| E Base mounting (E)      | mm   | 194      |
| F Suction valve (F)      | mm   | 165      |
| G Suction valve (G)      | mm   | 225      |
| H Suction valve (H)      | mm   | 53       |
| L Discharge valve (L)    | mm   | 94       |
| M Discharge valve (M)    | mm   | 192      |
| N Discharge valve (N)    | mm   | 13       |
| 1 High pressure plug (1) |      | 1/8" NPT |

|                             |          |
|-----------------------------|----------|
| 2 Low pressure plug (2)     | 1/8" NPT |
| 3 Oil charge plug (3)       | 1/4" GAS |
| 4 Oil level sight glass (4) | -        |
| 5 Crankcase heater (5)      | -        |
| 6 Oil drain plug (6)        | M8 x 22  |
| 12 Oil return plug (12)     | 1/8" NPT |
| NP Name Plate (NP)          | -        |