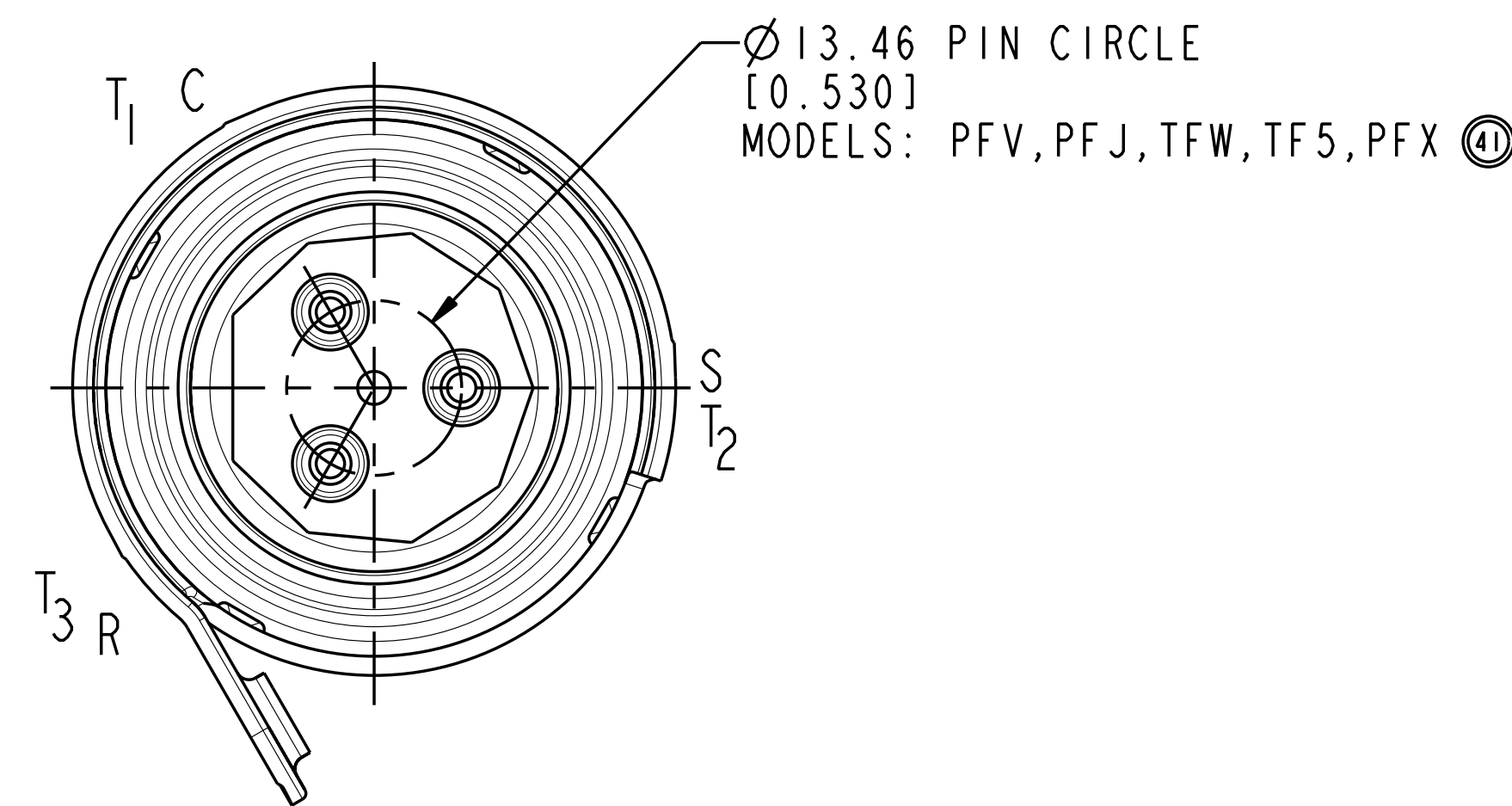
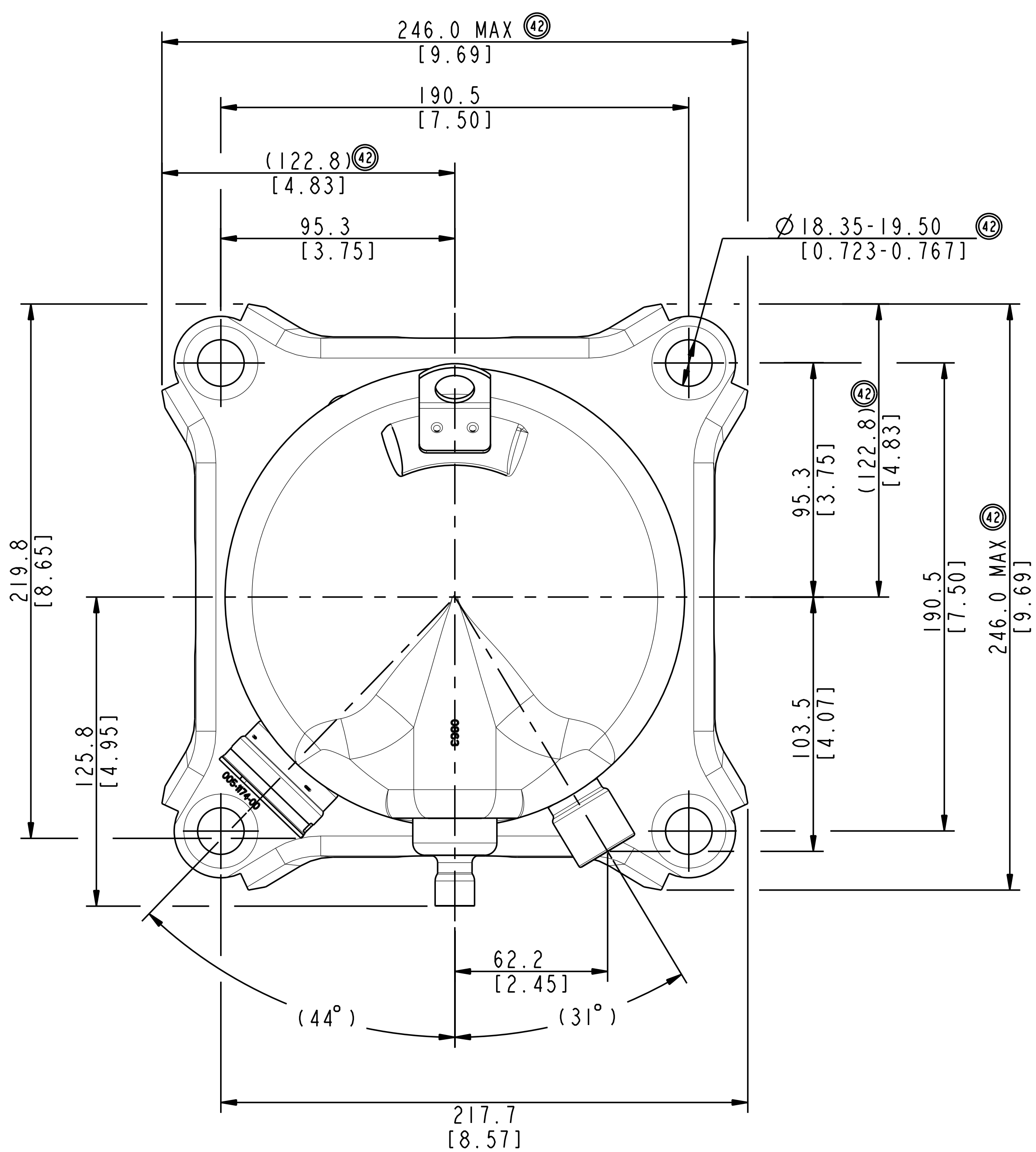


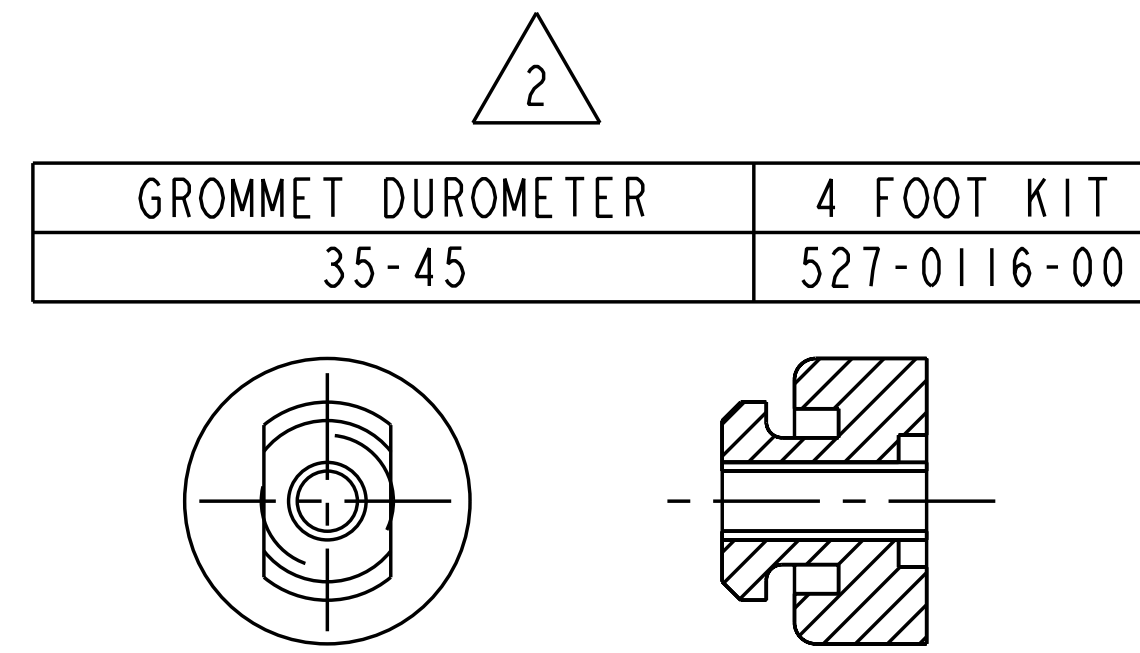
MODEL NUMBER

ZP50K3E-PFV, PFJ, TFD, TFE, TF5
ZP54K3E-PFV, TFD, TF5, TFE, TF7
③⑦ ZP57K3E-PFV, PFJ, TFD, TFE, TF5, TF7
ZP57KCE-PFV
ZP61KCE-TFD, TF5, TFE, TF7
ZP67KCE-TFD, TFE, TF5, TF7
④ ZP70KWE-PFV, PFJ, PFX
ZP72KCE-TFD, TF7, TF5, TFE
④③ ZP76KCE-TFD, TF5, TFE, TF7
③⑧ ZP83KCE-TFD, TF5, TF7, TFE
ZP83KWE-PFV

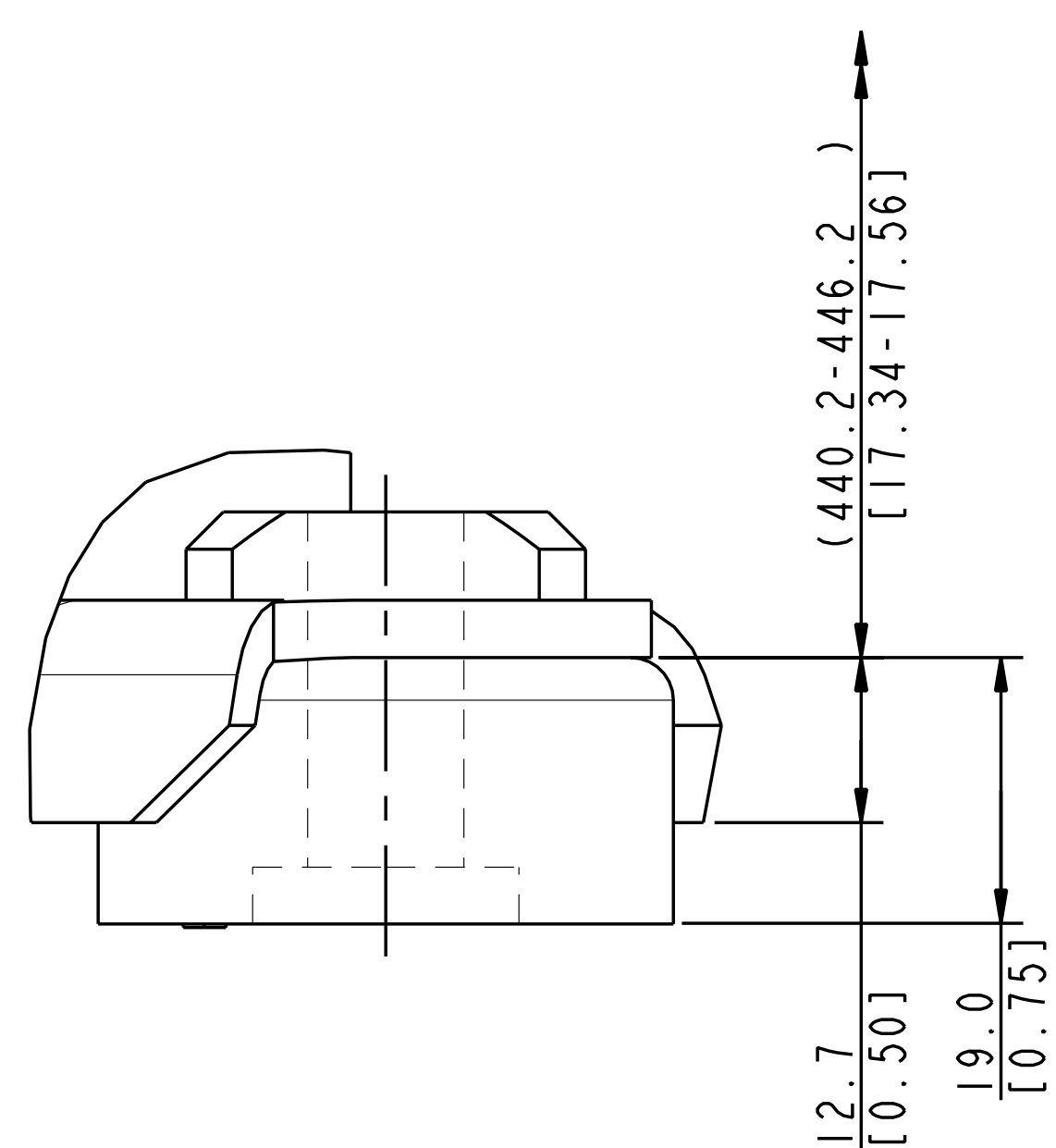
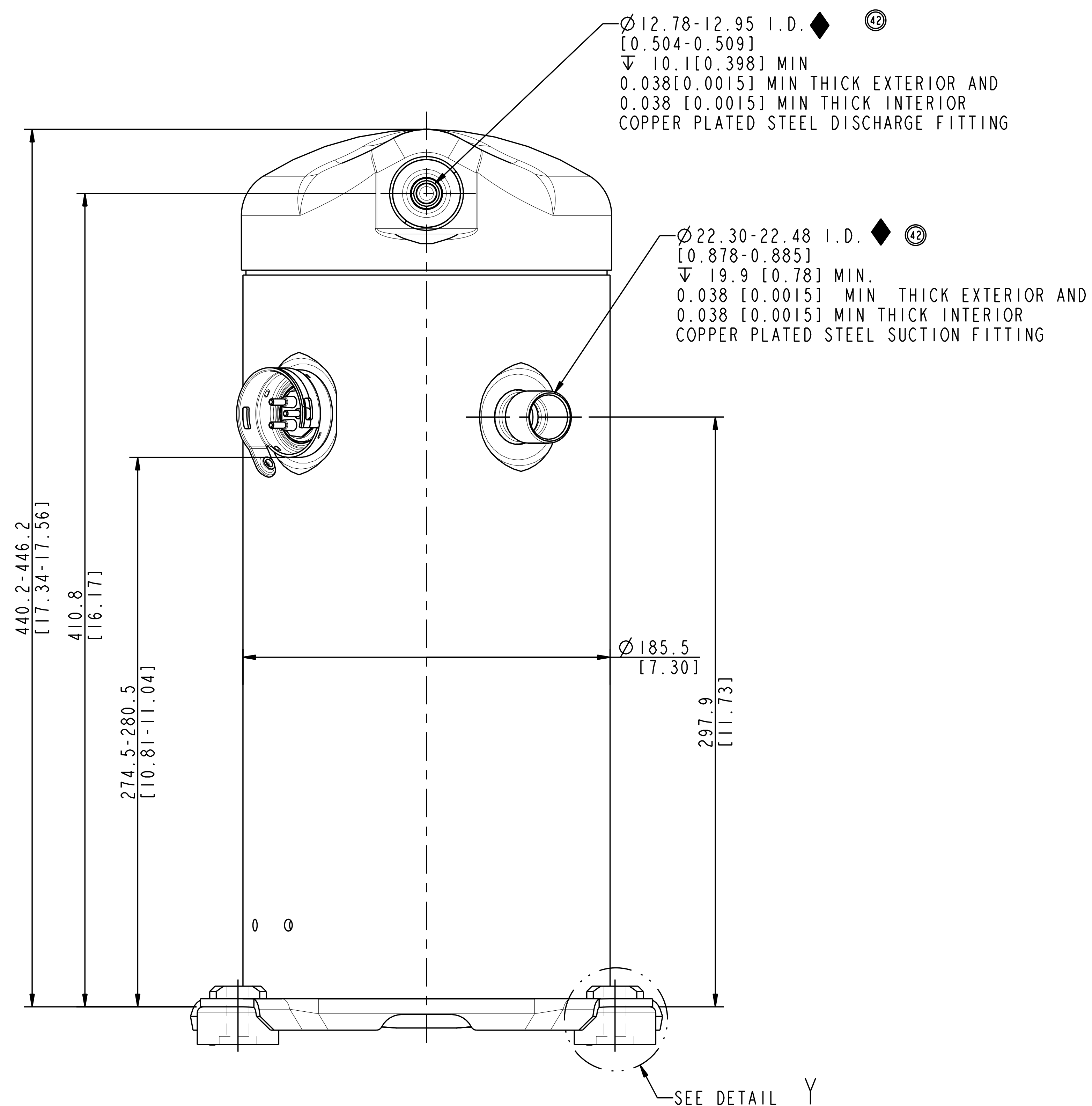
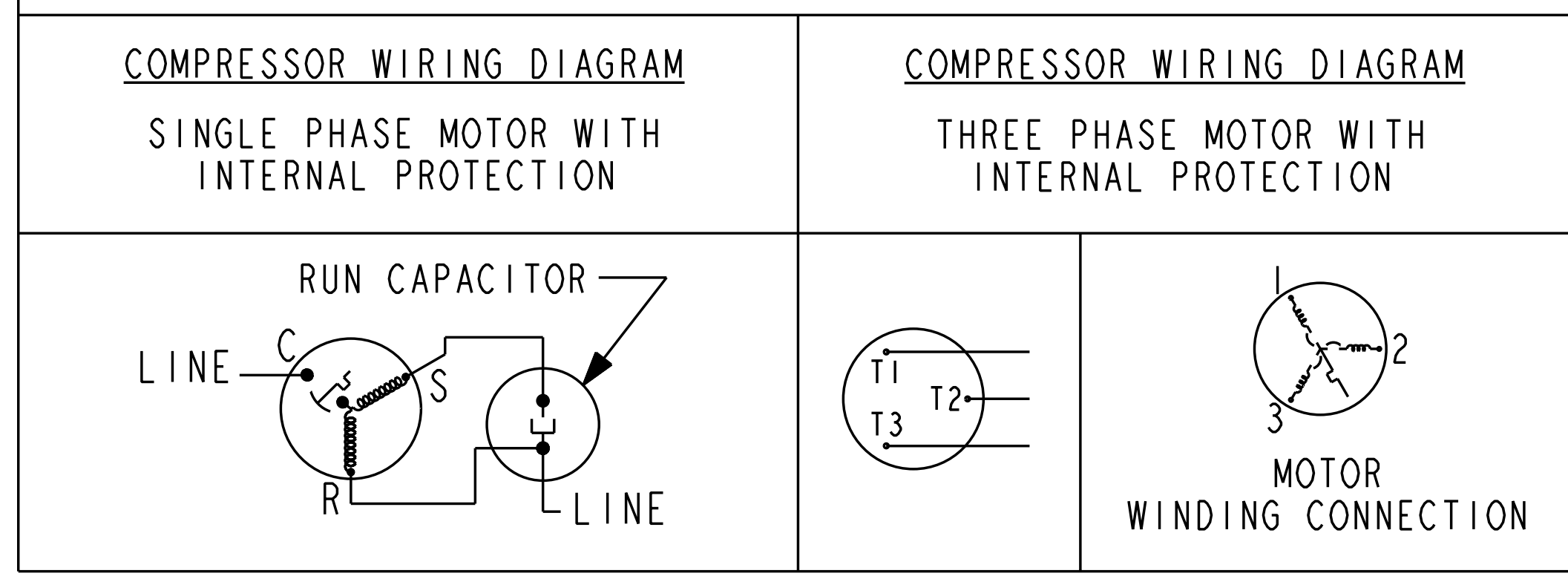
SPECIFICATIONS	
ES NO.	DESCRIPTION
ES92-155	CONVERSION-METRIC



- NOTES:
- 1 ALL TOLERANCES ± 1.50 [0.060] UNLESS OTHERWISE SPECIFIED.
 - DUE TO ACCUMULATED ASSEMBLY TOLERANCES THE LISTED COMPONENTS MAY VARY FROM THE MOUNTING HOLES AS SHOWN BELOW:
 - ◆ ALL FITTINGS : ± 3.0 [0.12]
 - 2 MOUNTING KIT.
 - 3. TUBE ENDS MUST BE PLUGGED.



USE COPPER CONDUCTORS ONLY. USE MINIMUM 75° C WIRE FOR AMPACITY DETERMINATION. INTERNAL MOTOR PROTECTION - ALLOW TIME FOR RESET. OVERCURRENT PROTECTION DEVICE RATING AND TYPE MUST BE IN ACCORDANCE WITH REGULATORY AGENCY END PRODUCT APPROVALS - SEE SYSTEM NAMEPLATE. CRANKCASE HEATER, WHEN APPLIED, MUST BE CONNECTED ONLY TO ITS RATED VOLTAGE. TO CORRECT IMPROPER ROTATION OF THREE PHASE MODELS, SWITCH ANY TWO SUPPLY LINES. REFER TO THE APPLICABLE SYSTEM WIRING DIAGRAM.



④ DETAIL Y SCALE 2:1



INTERPRET PER ASME Y14.5M-1994 AND EMERSON CLIMATE TECHNOLOGIES, INC. DESIGN STANDARDS DS2002 DO NOT SCALE DRAWING

THIRD ANGLE PROJECTION

CRITICAL PRODUCT CHARACTERISTIC

UNLESS OTHERWISE SPECIFIED DIMENSIONS ARE MILLIMETER OR (INCH)

TOLERANCES:
1-PLACE \pm
2-PLACE \pm
ANGULAR \pm N/A

ECN006047	42	REVISED DIMENSIONS	05-29-12	PPJ	MA	KJR
ECN003170	41	ADDED ZP70KWE-PFX MODEL	12-01-10	DKM	BR	KJR
ECN001515	40	ADDED ZP76KCE-TF7	04-24-09	XHT	LLB	KJR
ECN000997	39	ADDED ZP76KCE-TFD, TF5, TFE	01-15-08	XHT	LLB	KJR
ECN001419	38	ADDED ZP83KCE-TFE	11-27-08	MPK	EC	KJR
ECN000863	37	REDRAWN, ADDED ZP57K3E-TF7	05-22-08	MPK	EC	KJR
32-0896-026	0	RELEASED	11-14-96	JLS	GDD	RST

ENG NOTICE NO. REV. NO. REVISIONS DATE BY CHMD APPR

0 THIS DRAWING AND INFORMATION CONTAINED HEREIN ARE THE EXCLUSIVE PROPERTY OF EMERSON CLIMATE TECHNOLOGIES, INC. AND SHALL BE RETURNED UPON DEMAND AND SHALL NOT BE REPRODUCED IN WHOLE OR IN PART, DISCLOSED TO ANYONE ELSE OR USED, WITHOUT THE WRITTEN CONSENT OF EMERSON CLIMATE TECHNOLOGIES, INC.

MATERIAL SPECIFICATION

N/A

DRAWN BY: MPK
DATE: 05-22-08
SUPERSEDES DWG. NO. / REV. NO.: 497-2649-00 / 36
SCALE: 3:4
DATE FORMAT: MM-DD-YY

TITLE: REF DWG-WELD COMP ASSM
SHEET 1 OF 1
497-2649-00
5 SIZE