

PART NUMBER	MODEL NUMBER	A	B	C	D	E	F	G
497-3597-00	ZBD21KCE-TFD/PFV/PFJ/TF5 ZBD21KCL-TF5/TFD	435.3 [17.14]	417.2 [16.43]	366.4 [14.43]	264.4 [10.41]	221.8 [8.73]	75.3 [2.96]	49.8 [1.96]
497-3597-01	ZBD29KCE-TFD/TF5	466.0 [18.35]	448.0 [17.64]	397.1 [15.63]	294.1 [11.58]	252.5 [9.94]	75.3 [2.96]	49.8 [1.96]

MOTOR TYPE	Ø K PIN CIRCLE
PFV, PFJ, TF5	13.46 [0.530]
TFD	17.45 [0.687]

SPECIFICATIONS	
ES NO.	DESCRIPTION
ES92-155	CONVERSION-METRIC

NOTES:  
 1 ALL TOLERANCES ± 1.50 [0.060] UNLESS OTHERWISE SPECIFIED.

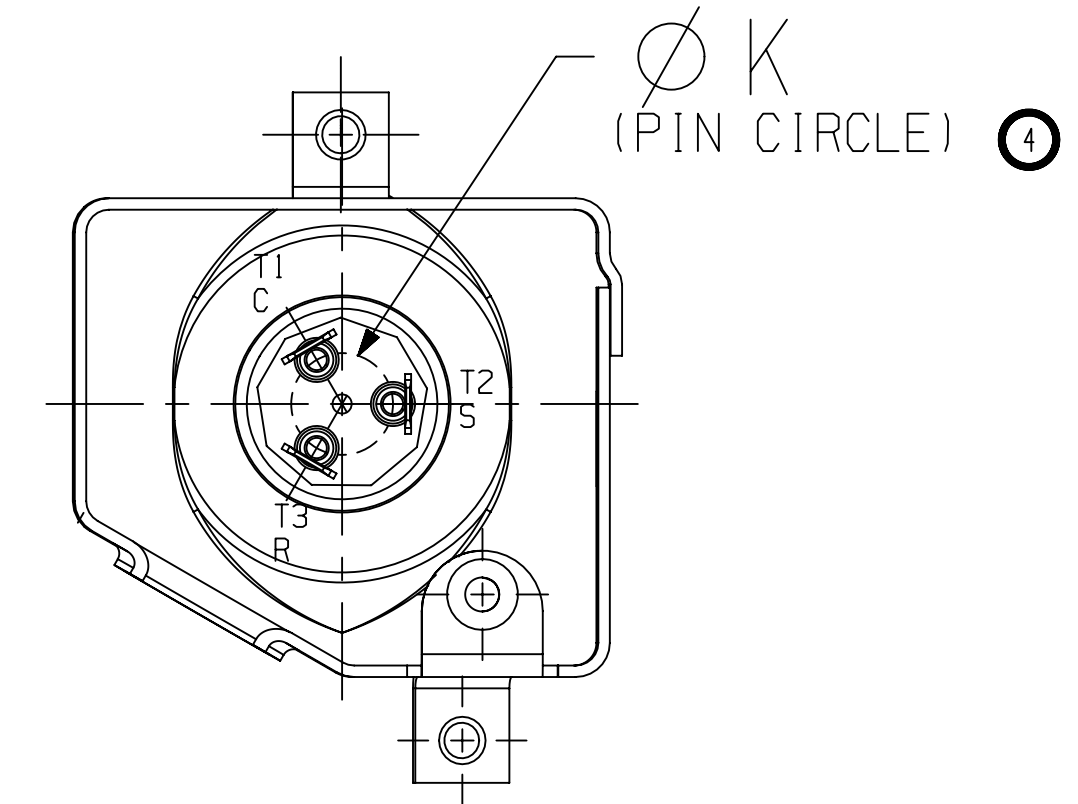
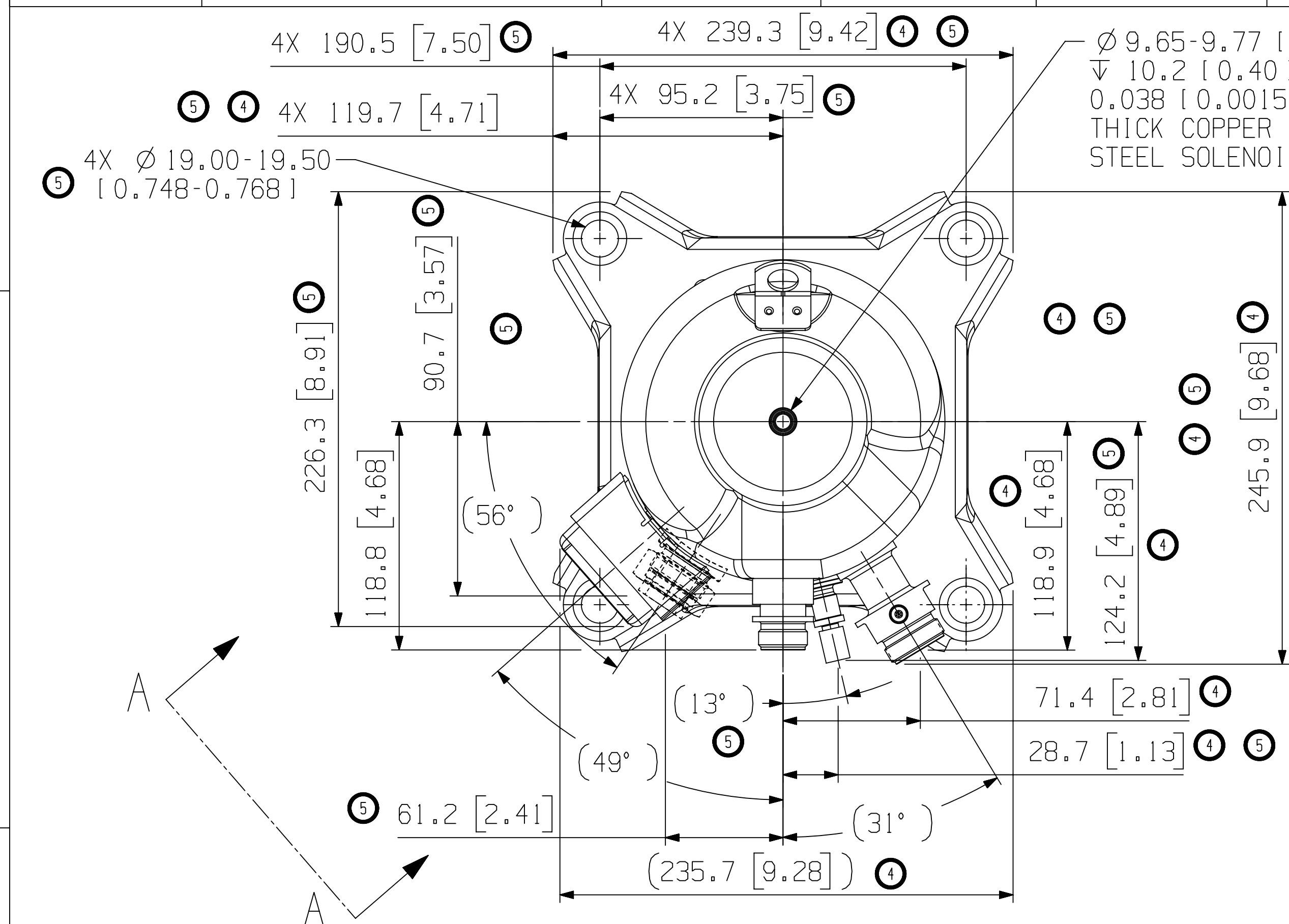
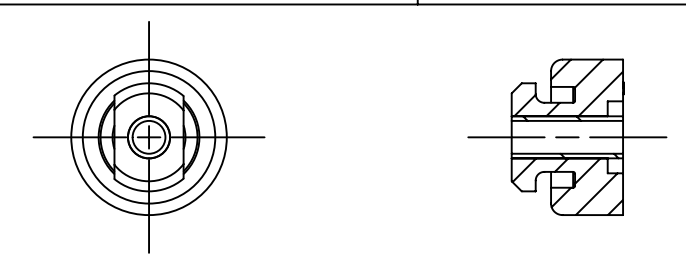
DUE TO ACCUMULATED ASSEMBLY TOLERANCES THE LISTED COMPONENTS MAY VARY FROM THE MOUNTING HOLES AS SHOWN BELOW:

- ◆ SUCTION FITTING : ± 3.0 [0.12]
- ◆ DISCHARGE FITTING : ± 3.0 [0.12]

2. TUBE ENDS MUST BE PLUGGED.

3. MOUNTING KIT:

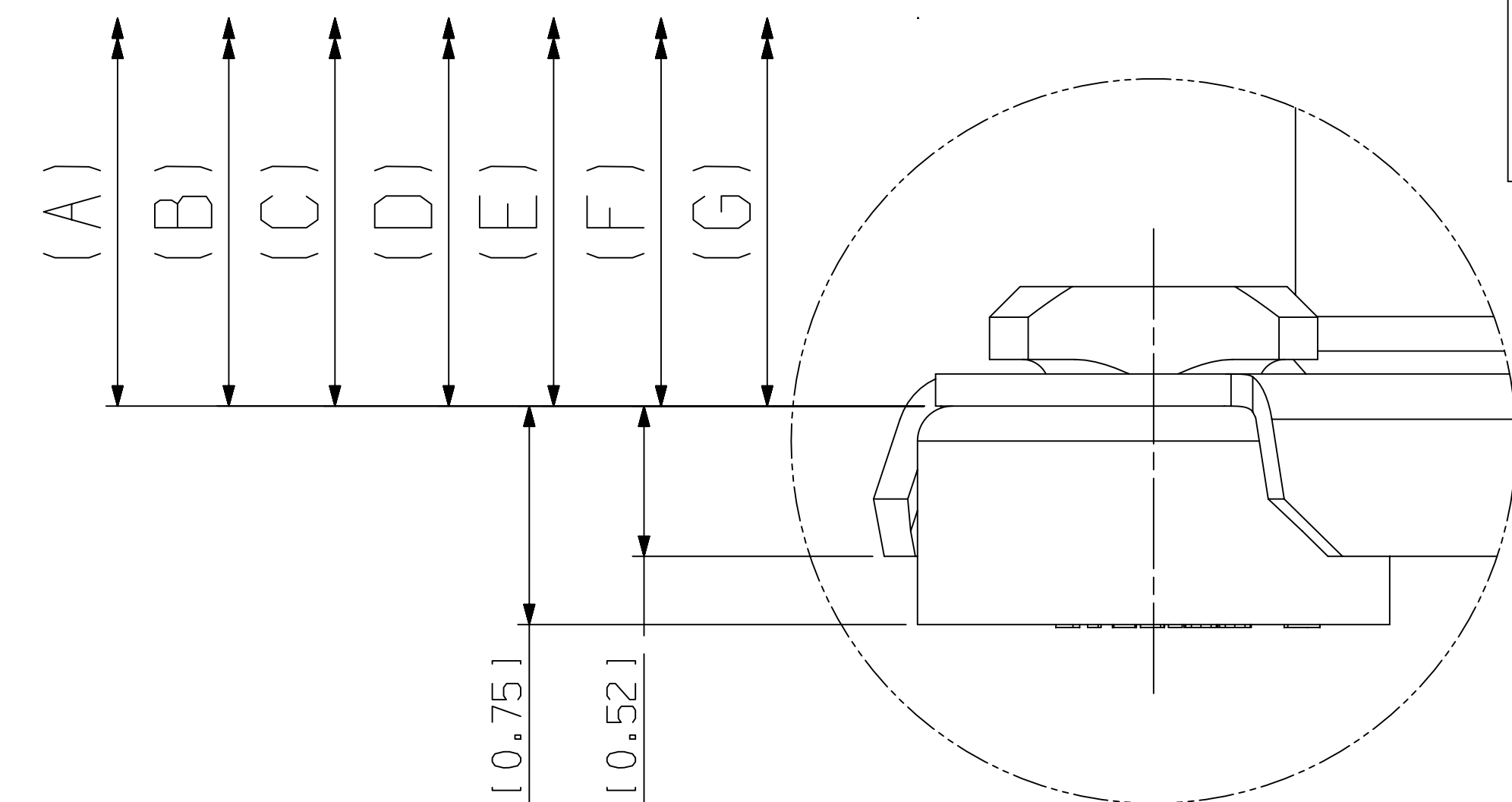
GROMMET DUROMETER	4 FOOT KIT
35-45	527-0116-00



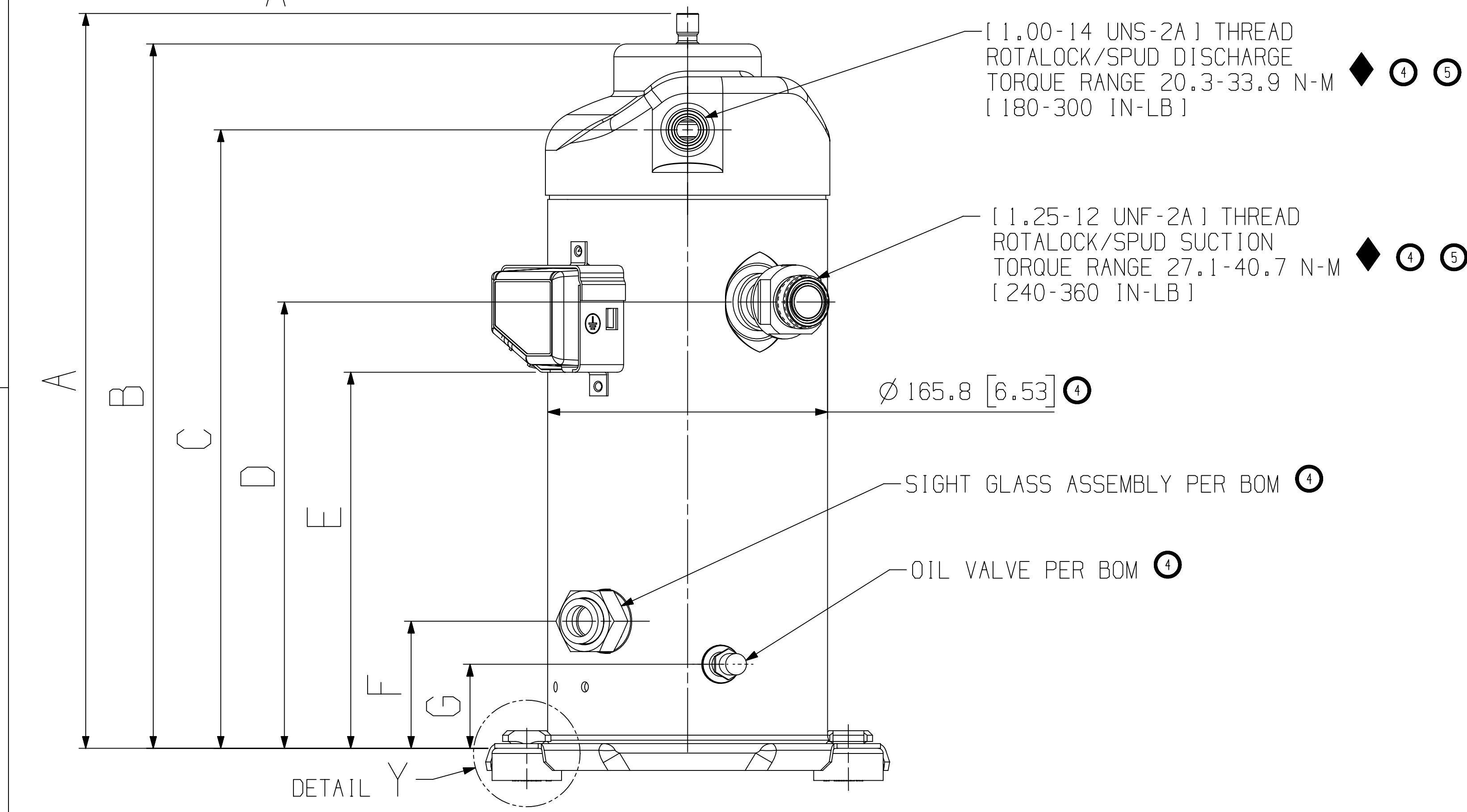
5 4 TERMINAL BOX LAYOUT OPTIONS  
 TERMINAL BOX COVER NOT SHOWN

VIEW A-A  
 SCALE 1:1

**COMPRESSOR WIRING DIAGRAM**  
 USE COPPER CONDUCTORS ONLY. USE MINIMUM 75° C WIRE FOR AMPACITY DETERMINATION. INTERNAL MOTOR PROTECTION-ALLOW TIME FOR RESET. OVERCURRENT PROTECTION DEVICE RATING AND TYPE MUST BE IN ACCORDANCE WITH REGULATORY AGENCY END PRODUCT APPROVALS-SEE SYSTEM NAMEPLATE. CRANKCASE HEATER, WHEN APPLIED, MUST BE CONNECTED ONLY TO ITS RATED VOLTAGE. TO CORRECT IMPROPER ROTATION OF THREE PHASE MODELS, SWITCH ANY TWO SUPPLY LINES. REFER TO THE APPLICABLE SYSTEM WIRING DIAGRAM.



DETAIL Y  
 SCALE 2:1



DETAIL Y



INTERPRET PER ASME Y14.5M-1994 AND EMERSON CLIMATE TECHNOLOGIES, INC. DESIGN STANDARDS DS2002  
 DO NOT SCALE DRAWING  
 THIRD ANGLE PROJECTION  
 CRITICAL PRODUCT CHARACTERISTICS  
 UNLESS OTHERWISE SPECIFIED DIMENSIONS ARE MILLIMETER OR (1 INCH)  
 1-PLACE ±  
 2-PLACE ±  
 ANGULAR ± N/A

ECN	NO.	DESCRIPTION	DATE	BY	CHKD	APPR
ECN300410	5	ADDED MODEL NUMBER	05-03-17	OSP	PR1	BE
ECN100583	4	REDRAWN WITH CHANGES	04-08-15	MPC	DC	GD
ECN001527	0	RELEASED	04-27-09	DG	DC	DC

ENG NOTICE NO.	REV. NO.	REVISIONS	DATE	BY	CHKD	APPR
10		CONFIDENTIALITY NOTICE				
THIS DRAWING AND INFORMATION CONTAINED HEREIN ARE THE EXCLUSIVE PROPERTY OF EMERSON CLIMATE TECHNOLOGIES, INC. AND SHALL BE RETURNED UPON DEMAND AND SHALL NOT BE REPRODUCED IN WHOLE OR IN PART DISCLOSED TO ANYONE ELSE OR USED, WITHOUT THE WRITTEN CONSENT OF EMERSON CLIMATE TECHNOLOGIES, INC.						
MATERIAL SPECIFICATION		DRAWN BY	SUPERSEDES DWG. NO. / REV. NO.			
N/A		MPC	497-3597-00/003			
		DATE	SCALE	DATE FORMAT:		
		04-08-15	1:2	MM-DD-YY		
TITLE			DRAWING NUMBER	SHEET 1 OF 1		
REF DWG-WELD COMP ASSM			497-3597-00	4		
			SIZE			