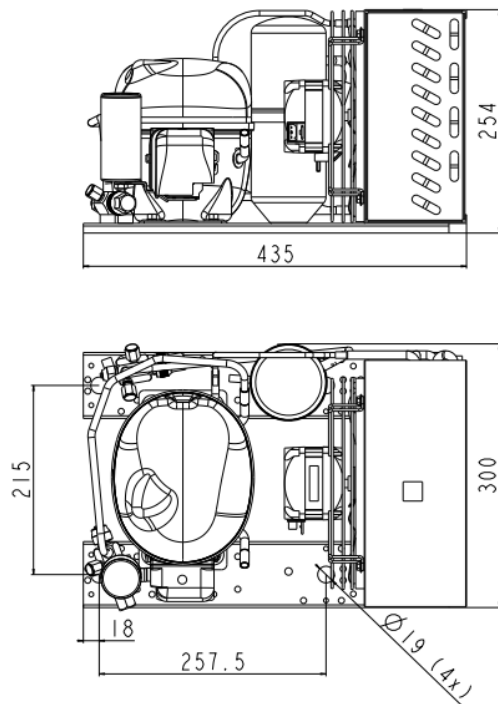


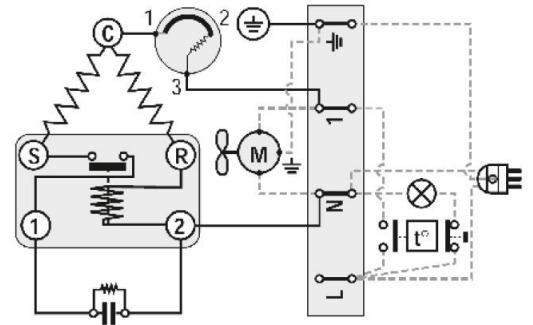
### GENERAL DATA

<b>Application:</b>	M/HBP
<b>Refrigerant:</b>	R134a
<b>Expansion Device:</b>	C-V
<b>Weight:</b>	18.9 kg
<b>Receiver:</b>	0.6 liter
<b>Voltage/Frequency:</b>	<b>220 - 240 V 50 ~</b>
<b>Height:</b>	18.9 mm
<b>Length:</b>	435 mm
<b>Width:</b>	300 mm
<b>Institute Approvals:</b>	<b>CE</b>

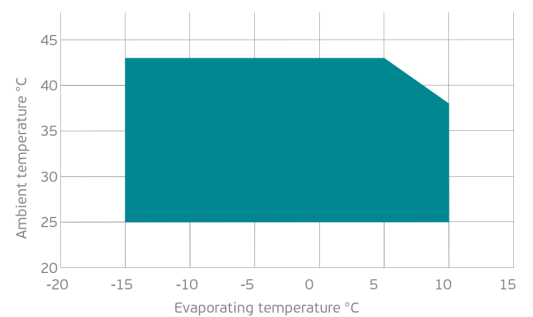
### EXTERNAL DIMENSIONS



### WIRING DIAGRAM



### OPERATING ENVELOPE



### COMPONENTS (SPARE PARTS)

<b>valve_suca:</b>	FLARE 3/8"	2110024
<b>compressor:</b>	NEK6160Z	267BA92..AM
<b>fankit:</b>	10W 230/31/5B	1996699

<b>valve_disch:</b>	FLARE 1/4"	2110025
<b>condenser:</b>	3R9T	2451205
<b>elkit:</b>	ELCOM NEK6160Z	267BA51M1P

For additional accessories please contact our technical support

**ELECTRICAL DATA**

**Motor Type:** CSIR -  
**Locked Rotor Amperage (LRA):** 11.5 A  
**Max.Current:** 2.15 A

At maximum evaporating temperature and maximum ambient temperature.

**FAN MOTOR**

**Number:** 1 -  
**Shaft Power:** 10 W  
**Air Flow:** 420 m<sup>3</sup>/h  
**Blade Diameter:** 230 mm

**PERFORMANCE CURVE DATA**

Standard: EN13215-RG20 / return gas 20°C, subcooling 3K

50 Hz

	Evaporating Temperature (°C)	Cooling Capacity (W)	Power Consumption (W)	Current Consumption (A)	Efficiency (W/W)
<b>25 °C</b> Ambient Temperature	10°C	854	308	2.07	2.77
	5°C	726	288	2.01	2.52
	0°C	609	268	1.95	2.27
	-5°C	503	249	1.90	2.02
	Rated point -10°C	408	230	1.85	1.77
	-15°C	324	212	1.81	1.53
<b>32 °C</b> Ambient Temperature	10°C	777	318	2.14	2.45
	5°C	660	297	2.07	2.22
	0°C	553	277	2.01	2.00
	-5°C	456	257	1.96	1.78
	Rated point -10°C	371	237	1.91	1.56
	-15°C	296	218	1.86	1.35
<b>43 °C</b> Ambient Temperature	5°C	546	328	2.17	1.66
	0°C	452	303	2.09	1.49
	-5°C	368	279	2.02	1.32
	Rated point -10°C	293	255	1.96	1.15
	-15°C	229	232	1.90	0.99