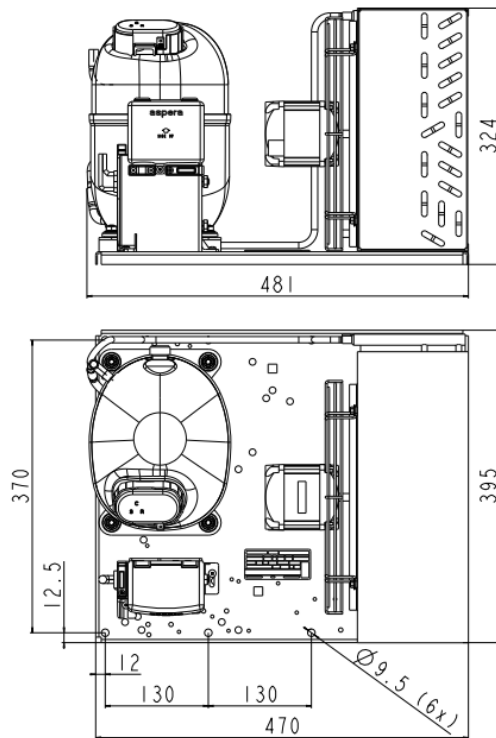


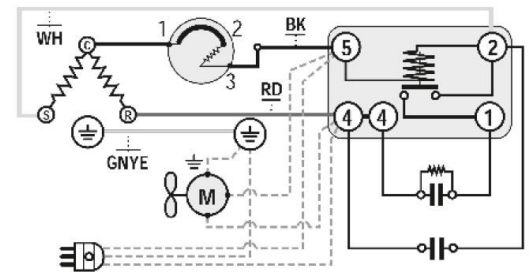
GENERAL DATA

Application:	M/HBP
Refrigerant:	R134a
Expansion Device:	C-V
Weight:	34.7 kg
Receiver:	0 liter
Voltage/Frequency:	220 - 240 V 50 ~
Height:	34.7 mm
Length:	481 mm
Width:	395 mm
Institute Approvals:	CE

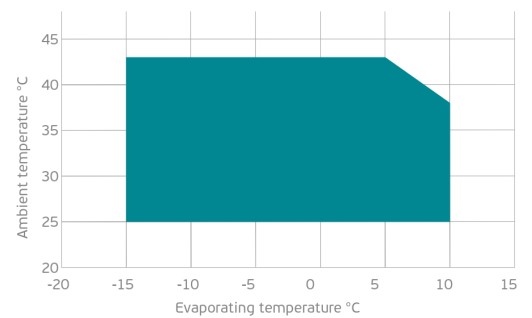
EXTERNAL DIMENSIONS



WIRING DIAGRAM



OPERATING ENVELOPE



COMPONENTS (SPARE PARTS)

condenser:	3R12T	2451140
elkit:	ELKOM NJ6220Z	144HA1904V

fankit:	34W 275/31/5B	1996583
compressor:	NJ6220Z	144HA11..AC

For additional accessories please contact our technical support

ELECTRICAL DATA

Motor Type: CSR -
Locked Rotor Amperage (LRA): 35 A
Max.Current: 6.45 A

At maximum evaporating temperature and maximum ambient temperature.

FAN MOTOR

Number: 1 -
Shaft Power: 34 W
Air Flow: 640 m³/h
Blade Diameter: 275 mm

PERFORMANCE CURVE DATA

Standard: EN13215-RG20 / return gas 20°C, subcooling 3K

50 Hz

	Evaporating Temperature (°C)	Cooling Capacity (W)	Power Consumption (W)	Current Consumption (A)	Efficiency (W/W)
25 °C Ambient Temperature	10°C	2 864	1 116	6.98	2.57
	5°C	2 443	1 008	6.61	2.42
	0°C	2 056	910	6.28	2.26
	-5°C	1 702	821	6.00	2.07
	Rated point -10°C	1 383	741	5.77	1.87
	-15°C	1 101	671	5.58	1.64
32 °C Ambient Temperature	10°C	2 595	1 168	7.16	2.22
	5°C	2 216	1 054	6.76	2.10
	0°C	1 865	949	6.41	1.97
	-5°C	1 543	852	6.10	1.81
	Rated point -10°C	1 252	765	5.84	1.64
	-15°C	992	686	5.63	1.45
43 °C Ambient Temperature	5°C	1 892	1 109	6.91	1.71
	0°C	1 585	996	6.53	1.59
	-5°C	1 300	891	6.20	1.46
	Rated point -10°C	1 038	793	5.91	1.31
	-15°C	800	704	5.68	1.14