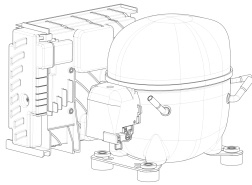


**220-240V 1~****GENERAL DATA**

**Application:** LBP  
**Refrigerant:** R290  
**Evaporating Temperature Range:** -40°C to -10°C  
**Compressor Cooling:** Fan  
**Fan air flow:** 520 m<sup>3</sup>/h  
**Type:** Hermetic reciprocating  
**Technology Type:** VCC  
**Expansion Device:** Capillary Tube or Expansion Valve  
**Packing Quantity:** Multi - 40 pcs  
**Displacement:** 13.54 cm<sup>3</sup>

Approvals:    

**MECHANICAL DATA**

**Bore:** 29.36 mm  
**Stroke:** 20 mm  
**Oil Charge:** 500ml +/-15ml  
**Free Internal Volume:** 2.1 cm<sup>3</sup>  
**Maximum Recommended Refrigerant Charge:** 150 g  
**Oil Type Configuration:** Polyolester  
**Oil Type Viscosity:** ISO22  
**Compressor pressurization:** Without dry air charge  
**Weight:** 14.2 kg

**ELECTRICAL DATA**

**Motor Type:** BPM  
**Starting Torque:** HST  
**Voltage working range at 50 Hz:** 150 (160)-240 V  
**Voltage working range at 60 Hz:** 150 (160) V  
**Maximum Motor Temperature:** 130 °C  
**Start Winding Resistance:** 3.82 Ω (± 10%) at 25°C  
**Run Winding Resistance:** 2.53 Ω (± 10%) at 25°C  
**Locked Rotor Amperage (LRA):** 6 A

**MOUNTING ACCESSORIES**

	Description	Code
<b>Terminal Board:</b>	no	-
<b>Capacitor Bracket:</b>	no	-
<b>Grommets:</b>	yes	2221004
<b>Sleeves:</b>	yes	2222016
<b>Washer:</b>	no	-
<b>Pin:</b>	no	-
<b>Clip:</b>	no	-
<b>Rotolock valve:</b>	no	-
<b>Cover:</b>	yes	2075282
<b>Anchorage:</b>	yes	1027058
<b>Overload Protector Bracket:</b>	yes	2075299

**ELECTRICAL COMPONENTS**

	Component type	Description	Code
<b>Motor Protection:</b>	External 3/4"	MST26GL-3166	2288312
<b>Inverter:</b>	HP DROP IN	800W 220V	519302007

**EXTERNAL CHARACTERISTICS**

**Base Plate:** Universal  
**Tray Holder:** No  
**Height:** 206 mm

	Internal Diameter (mm)	Material	Shape
<b>Suction Connector</b>	8.1	Copper	Slanted 42°
<b>Discharge Connector</b>	6.45	Copper	Straight
<b>Process Connector</b>	6.45	Copper	Slanted 42°



**RATED POINT DATA**

Cooling Capacity (W)	Power Consumption (W)	Current Consumption (A)	Gas Flow Rate (kg/h)	Efficiency (W/W)
±5%	±5%	±5%	±5%	±7%
320	286	1.33	4.44	1.12

Test condition: ARI 540, Fan, Return Gas 4.4°C, Subcooling OK, Evaporating: -23.3°C, Condensing: 49°C, Ambient: 35°C

**PERFORMANCE CURVE DATA**

**2000 RPM**

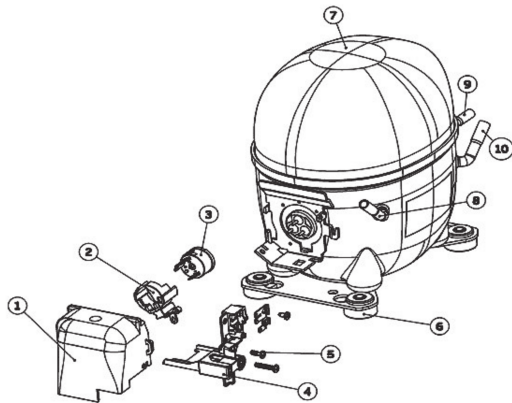
Condensing Temperature (°C)	Evaporating Temperature (°C)	Cooling Capacity (W)	Power Consumption (W)	Current Consumption (A)	Gas Flow Rate (kg/h)	Efficiency (W/W)
		±5%	±5%	±5%	±5%	±7%
<b>35°C</b>	-10	718	310	1.45	8.78	2.32
	-15	581	287	1.34	7.05	2.02
	-20	464	265	1.23	5.60	1.75
	-25	367	242	1.13	4.40	1.52
	-30	290	219	1.02	3.46	1.32
	-35	233	197	0.92	2.76	1.18
	-40	195	173	0.82	2.31	1.12

Condensing Temperature (°C)	Evaporating Temperature (°C)	Cooling Capacity (W)	Power Consumption (W)	Current Consumption (A)	Gas Flow Rate (kg/h)	Efficiency (W/W)
		±5%	±5%	±5%	±5%	±7%
<b>45°C</b>	-10	614	346	1.60	8.32	1.77
	-15	497	320	1.48	6.67	1.55
	-20	397	293	1.36	5.29	1.35
	-25	314	265	1.24	4.16	1.18
	-30	248	236	1.11	3.27	1.05
	-35	199	206	0.98	2.62	0.97

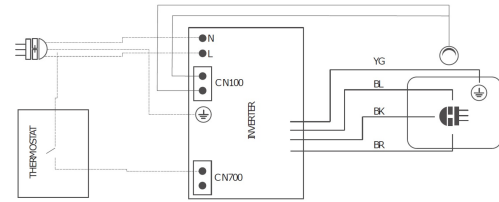
Condensing Temperature (°C)	Evaporating Temperature (°C)	Cooling Capacity (W)	Power Consumption (W)	Current Consumption (A)	Gas Flow Rate (kg/h)	Efficiency (W/W)
		±5%	±5%	±5%	±5%	±7%
<b>55°C</b>	-10	548	409	1.89	8.37	1.34
	-15	441	371	1.72	6.66	1.19
	-20	347	331	1.53	5.21	1.05
	-25	268	289	1.34	3.99	0.93
	-30	203	246	1.14	3.01	0.83

Test condition: ARI 540, Fan, Return Gas 4.4°C, Subcooling OK, Ambient: 35°C

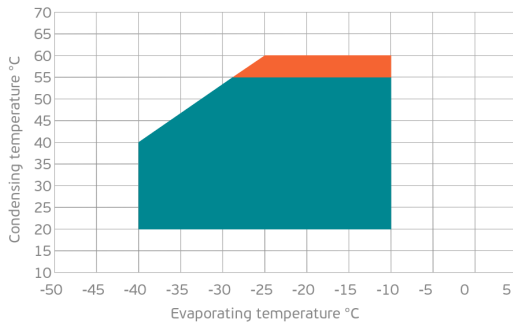
## ASSEMBLY INSTRUCTION



## WIRING DIAGRAM

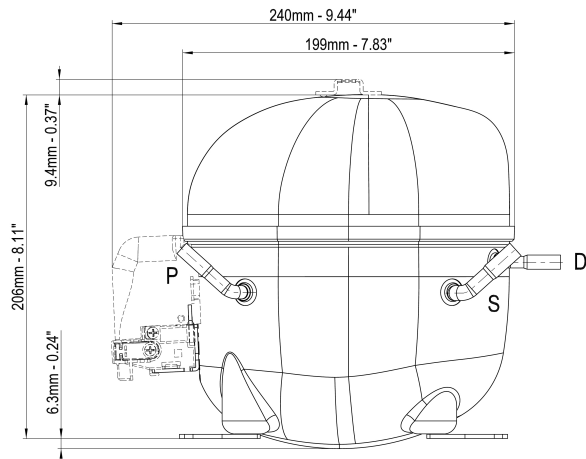


## OPERATING ENVELOPE



- Operating Condition
- Transient Condition
- Superheating

**NOTE:** usage of compressors outside of intended working range cannot make use of the warranty, or should be consulted with Technical support.



	∅ mm	∅ in	Material
<b>S - Suction</b>	8.10 - 8.20	0.32	Cu
<b>P - Process</b>	6.45 - 6.55	0.25	Cu
<b>D - Discharge</b>	6.45 - 6.55	0.25	Cu

