

Data sheets

For standard refrigerants > Standard single-phase series

Technical data:		
Cylinders	#	2
Displacement @ 50 Hz	m3/h [50Hz]	5.5
Displacement @ 60 Hz	m3/h [60Hz]	6.6
Motor version[1]		2
Nominal Motor power	HP	0.75
Nominal Motor power	kW	0.5
Motor voltage at 50 Hz[2]	V/ph/Hz	220-240V/1/50Hz DOL
Motor voltage at 60 Hz[2]	V/ph/Hz	265-290V/1/60Hz DOL
Bridges for DOL start		Standard
MRA, max operating current at 230V/50Hz and 280V/60Hz	A	8
LRA, max starting current at 230V/50Hz and 280V/60Hz, DOL motor	A	35.9
Max power consumption	kW	1.56
Frequency min	Hz	NO
Frequency max[3]	Hz	NO
Control and protection device		INT69®
Electric terminal box class protection		IP56
Maximum pressure HP	bar	30
Maximum pressure LP	bar	20.5
Oil type[4]		POE32
Oil charge (3/4 of sight glass)	l	1
Lubrication type		Centrifugal
Suction valve (SV)	inch	¾
Discharge valve (DV)	inch	½
Net weight	kg	36
Max Length	mm	317
Max Width	mm	237
Max Height	mm	275
Rubber mounts diameter	mm	30
Rubber mounts height	mm	30
Rubber mounts shore	sh	45
Sound power level (-10/45, R404A)[5]	dB(A)	63.5
Sound pressure level @ 1m (-10/45, R404A)[5]	dB(A)	55.5
Compressor body material		Cast Iron

- [1] Motor version: 1 = high and mid temp. all refrigerants; 2 = low and mid temp. all refrigerants; 3 = ECOinside, low temp. R134a, R1234ze, R1234yf only
- [2] Other motor voltage available on request
- [3] Maximum frequency depends on the working conditions: use the FSS.3 (Frascold selection software)
- [4] For alternative lubricants refer to bulletin FTEC022
- [5] Sound pressure in free field, hemispherical model at 1 meter distance, 50Hz; PWL and SPL in different conditions are available on

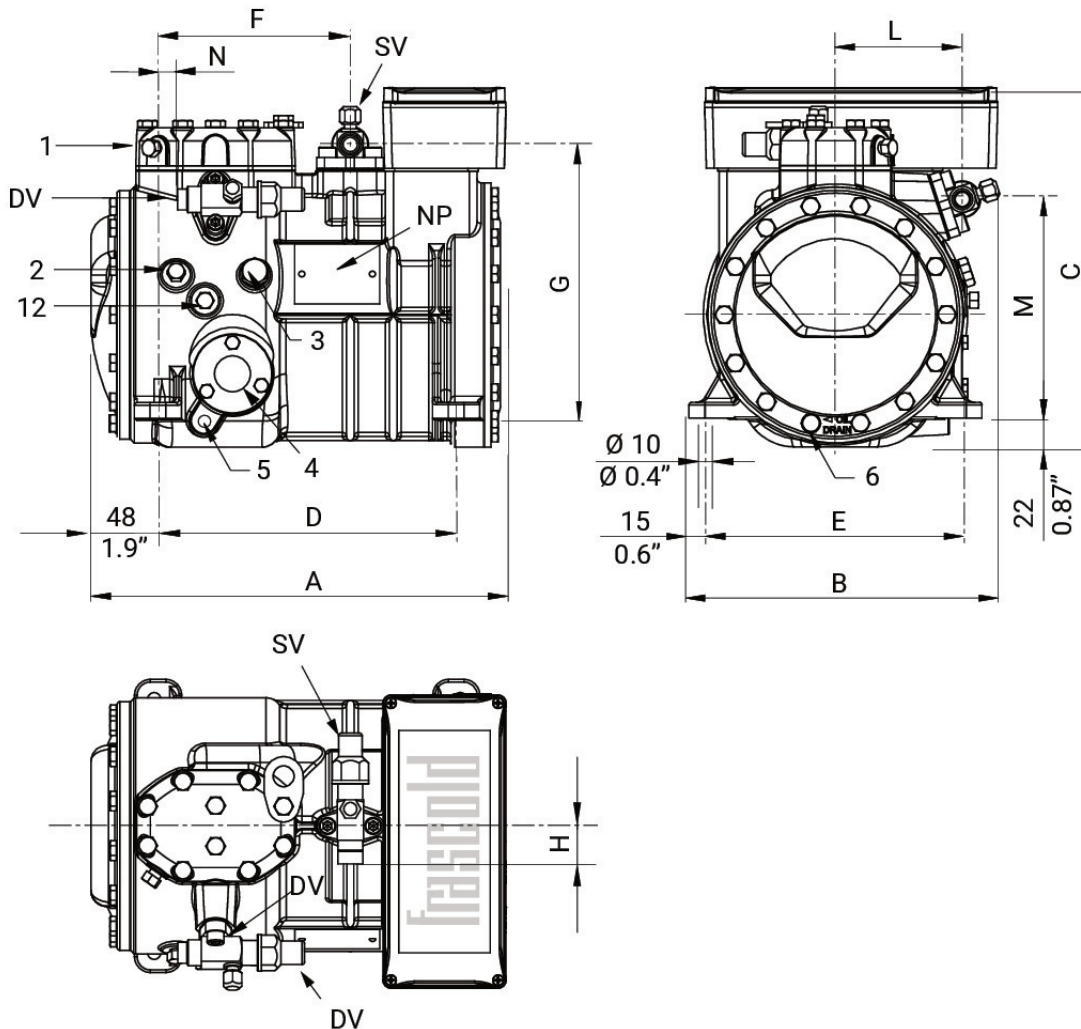
Data sheets

For standard refrigerants > Standard single-phase series

Accessories:	
Oil heater (230V-50W)	T00CH13-RIC
Electronic oil level switch (230V)	T00WK252
Electronic oil level regulator - INT280 Diagnose 230V AC	T00EC1900
Head cooling fan - 230V/1/50-60Hz	SZ-FM1
Terminal plate cover	T00EC09C
Kit adapters for oil equalization line - 1" ROT 5/8" ODS	T00SK170200
Kit adapters for oil equalization line - 1"1/4 ROT 1"1/8 ODS	T00SK170300

Data sheets

For standard refrigerants > Standard single-phase series



Dimensional drawing:

SV Suction valve (SV)	mm	15.8
DV Discharge valve (DV)	mm	12.7
SV Suction valve (SV)	inch	5/8
DV Discharge valve (DV)	inch	1/2
A Length (A)	mm	317
B Width (B)	mm	237
C Height (C)	mm	275
D Base mounting (D)	mm	234
E Base mounting (E)	mm	194
F Suction valve (F)	mm	150
G Suction valve (G)	mm	209
L Discharge valve (L)	mm	97
M Discharge valve (M)	mm	167
N Discharge valve (N)	mm	18
1 High pressure plug (1)		1/8" NPT
2 Low pressure plug (2)		1/8" NPT

3 Oil charge plug (3)		1/4" GAS
4 Oil level sight glass (4)		-
5 Crankcase heater (5)		-
6 Oil drain plug (6)		M8 x 22
12 Oil return plug (12)		1/8" NPT
DV Discharge valve (DV)		-
SV Suction valve (SV)		-
NP Name Plate (NP)		-