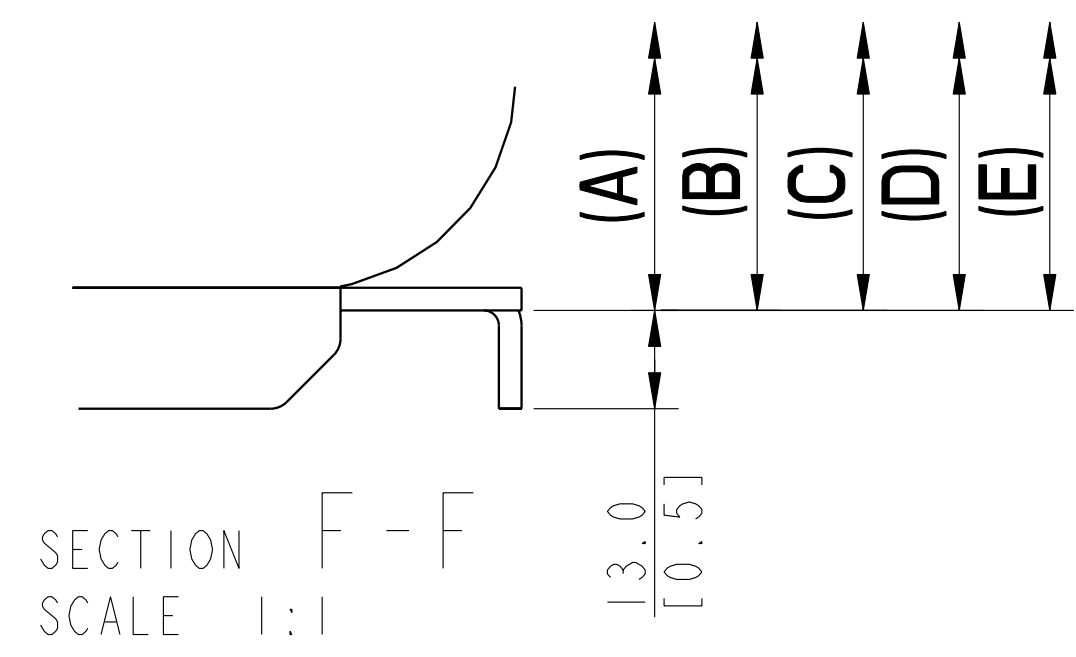
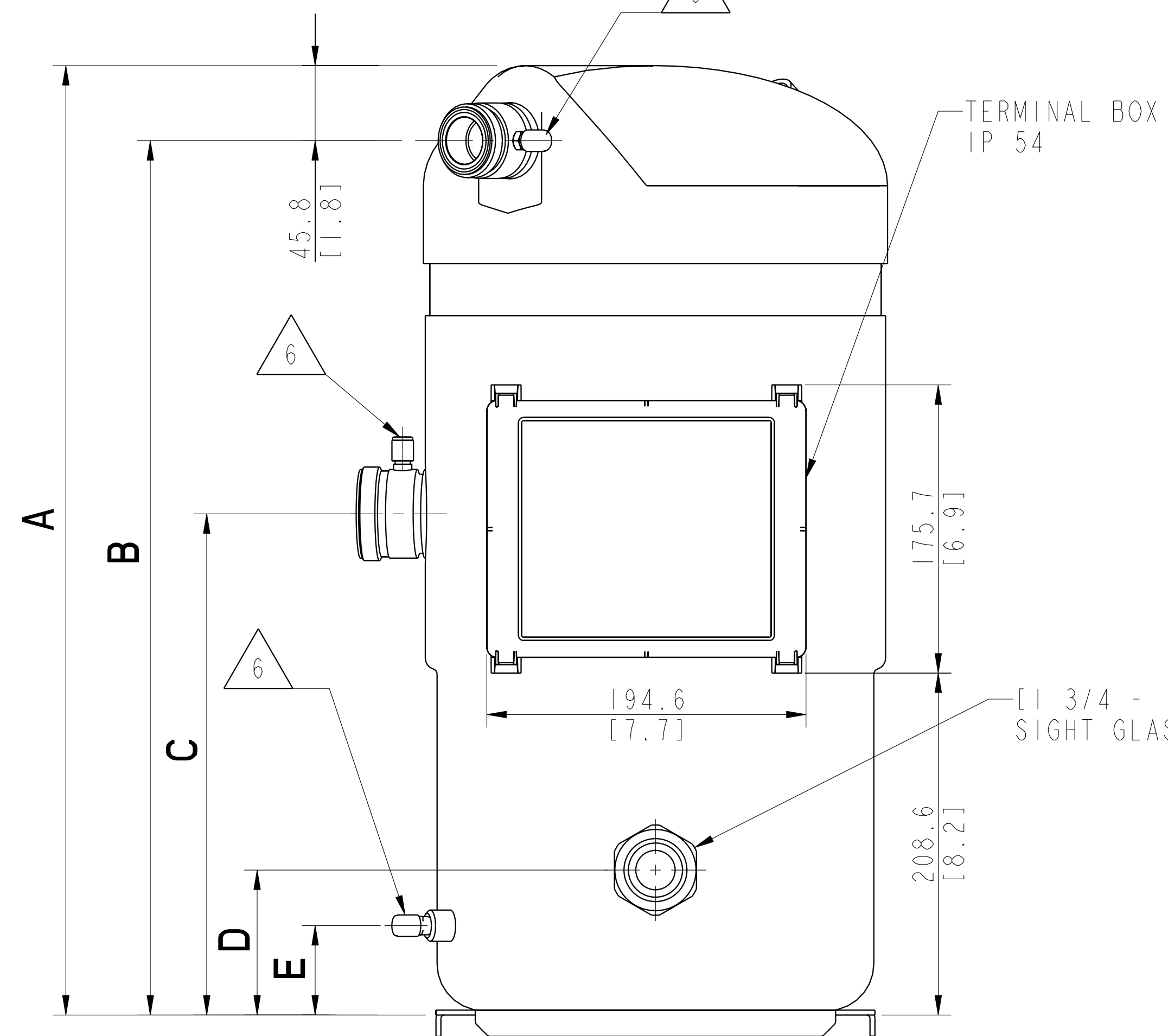
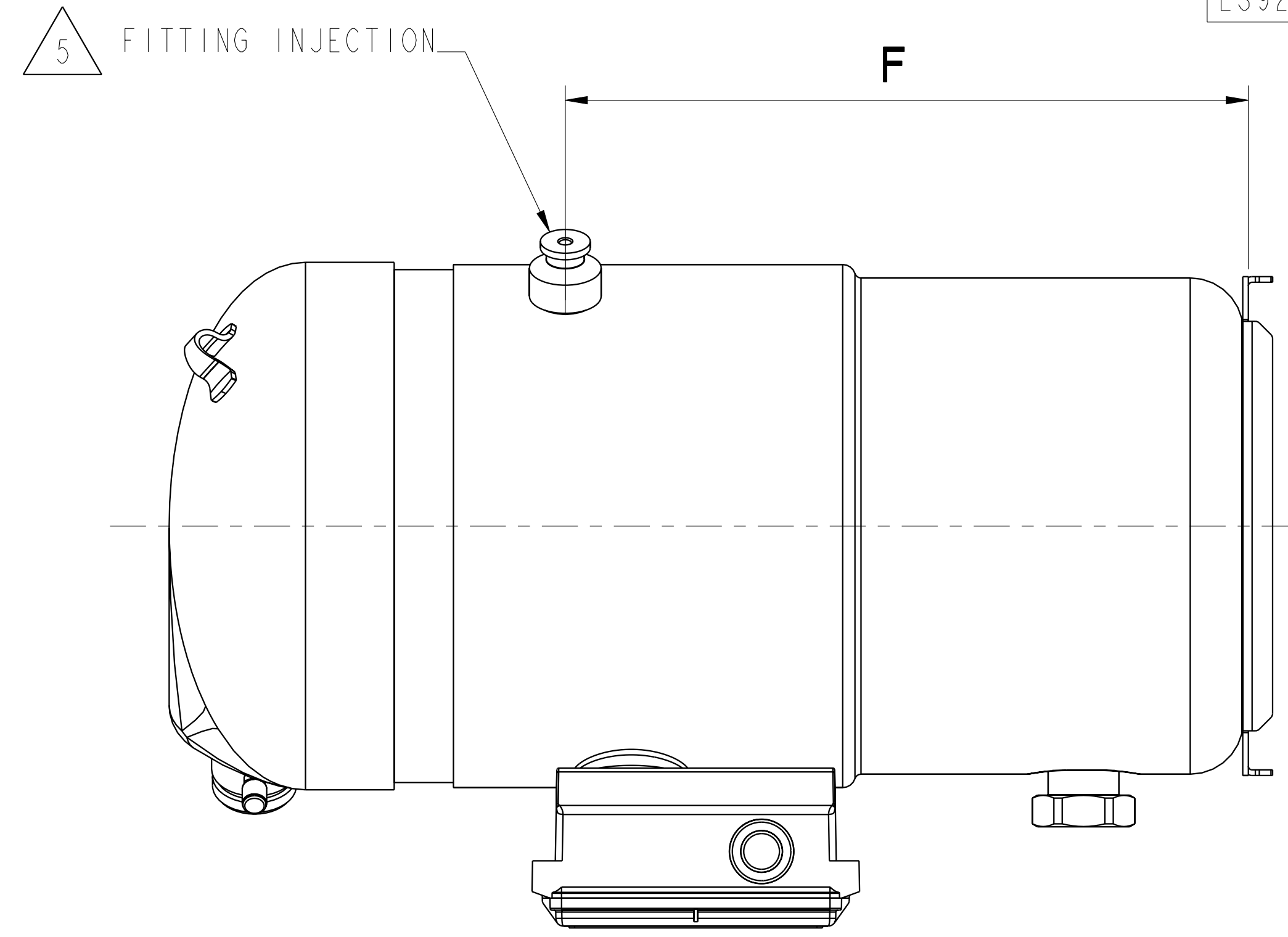
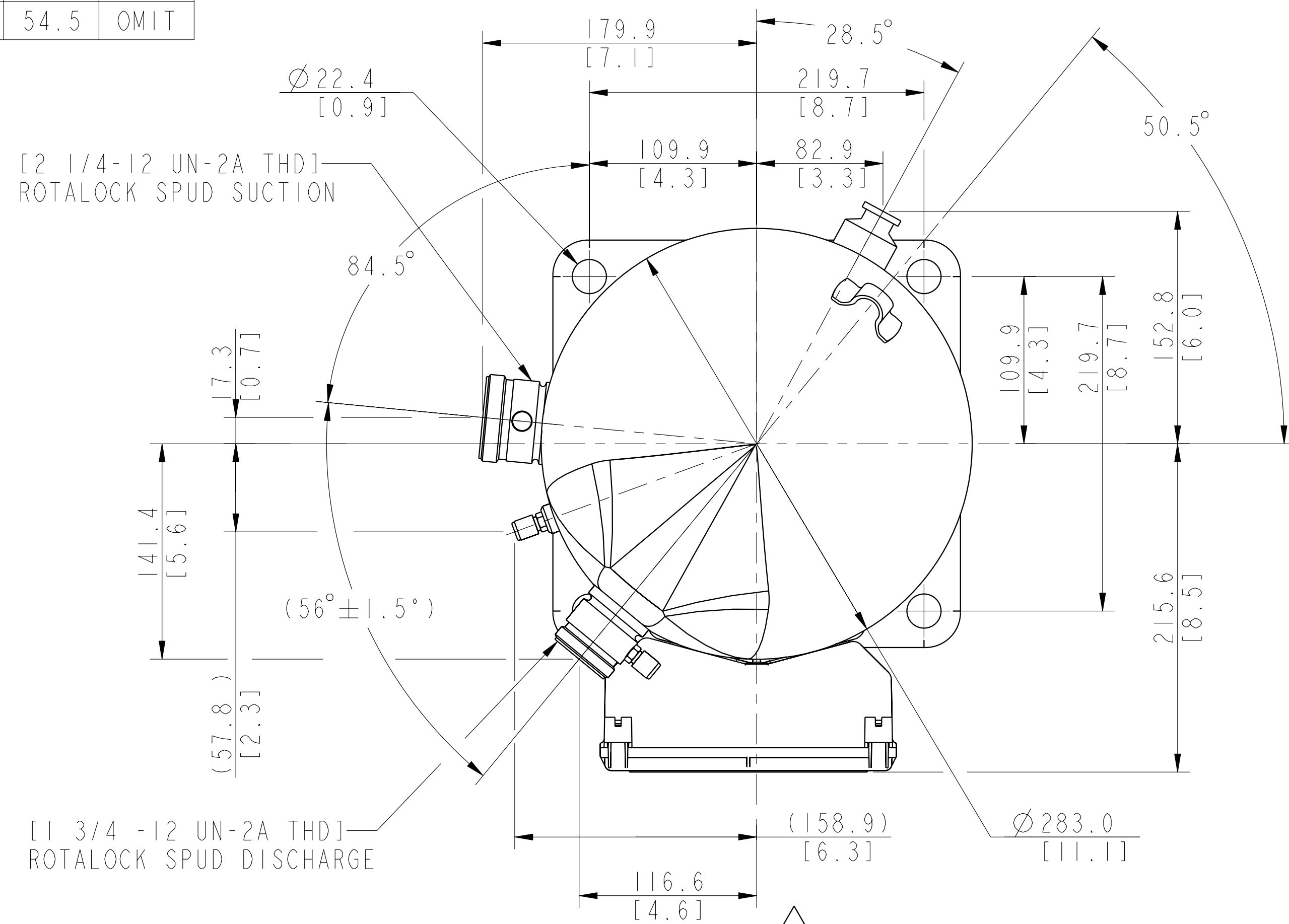


MODEL	A	B	C	D	E	F
ZF48	578.8	533.1	305.6	88.4	54.5	366.4
ZS11	578.8	533.1	305.6	88.4	54.5	OMIT

SPECIFICATIONS	
ES NO.	DESCRIPTION
ES92-155	CONVERSION-METRIC



INTERPRET PER ASME Y14.5M-1994 AND EMERSON CLIMATE TECHNOLOGIES, INC. DESIGN STANDARDS DS2002 DO NOT SCALE DRAWING
THIRD ANGLE PROJECTION
CRITICAL PRODUCT CHARACTERISTIC
UNLESS OTHERWISE SPECIFIED DIMENSIONS ARE MILLIMETER OR (INCH)
TOLERANCES:
1-PLACE ± 0.4
2-PLACE ± 0.15
ANGULAR ± 0.5°

ENG NOTICE NO.	REV. NO.	REVISIONS	DATE	BY	CHKD	APPR
ECN005286	11	CHANGED SIGHT GLASS	03-22-12	JS	MD	VC
32-1105-068	10	PICTORIAL UPDATE FOR FITTING LIQUID INJ	11-20-07	VDJ	DC	NM
34-0606-019	9	LOGO BLOCK REMOVED; SEE SHEET 2	05-25-07	SUP	BF	CHK
32-1002-701	8	MODIF. TEXT (2x)	06-20-05	ND	C.B.	N.M.
32-1002-701	7	REDRAWN & REVISED	06-24-02	OTL	CHK	
32-0799-030	0	RELEASED	06-15-99	OTL		

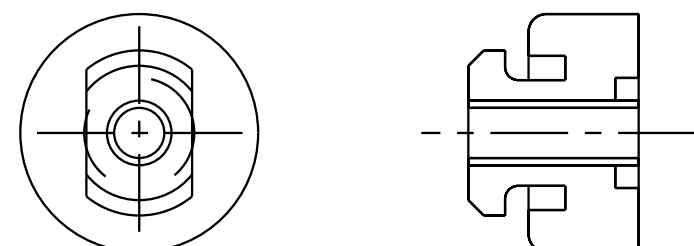
CONFIDENTIALITY NOTICE			
THIS DRAWING AND INFORMATION CONTAINED HEREIN ARE THE EXCLUSIVE PROPERTY OF EMERSON CLIMATE TECHNOLOGIES, INC. AND SHALL BE RETURNED UPON DEMAND AND SHALL NOT BE REPRODUCED IN WHOLE OR IN PART, DISCLOSED TO ANYONE ELSE OR USED, WITHOUT THE WRITTEN CONSENT OF EMERSON CLIMATE TECHNOLOGIES, INC.			
MATERIAL SPECIFICATION	N/A	DRAWN BY	SUPERSEDES DWG. NO. / REV. NO.
		OTL	497-0292-00 / 6
		DATE	SCALE
		06-15-99	3:8
			DATE FORMAT:
			MM-DD-YY
TITLE	DRAWING NUMBER	SHEET 1 OF 2	DWG
REF. WELDED COMP. ASSM	497-0292-00		4
			SIZE

NOTES:

1 ALL TOLERANCE ± 1.5 UNLESS OTHERWISE SPECIFIED.

2. MOUNTING KIT:

GROMMET DUROMETER	4 FOOT KIT	SE CODE
-	527-0168-00	553
60-70 D	527-0159-00	551



3. OIL SPECIFICATIONS:
 ⑤ MODELS: ZF48K4/KV, ZSIIM4
 999-5170-55
 VISCOSITY GRADE 32 CENTISTOKES.

⑥ MODEL ZF48K4E/KVE, ZSIIM4E
 999-5170-76
 VISCOSITY GRADE 22 CENTISTOKES.
 INITIAL OIL CHARGE 140 Oz.
 OIL RECHARGE 137 Oz.

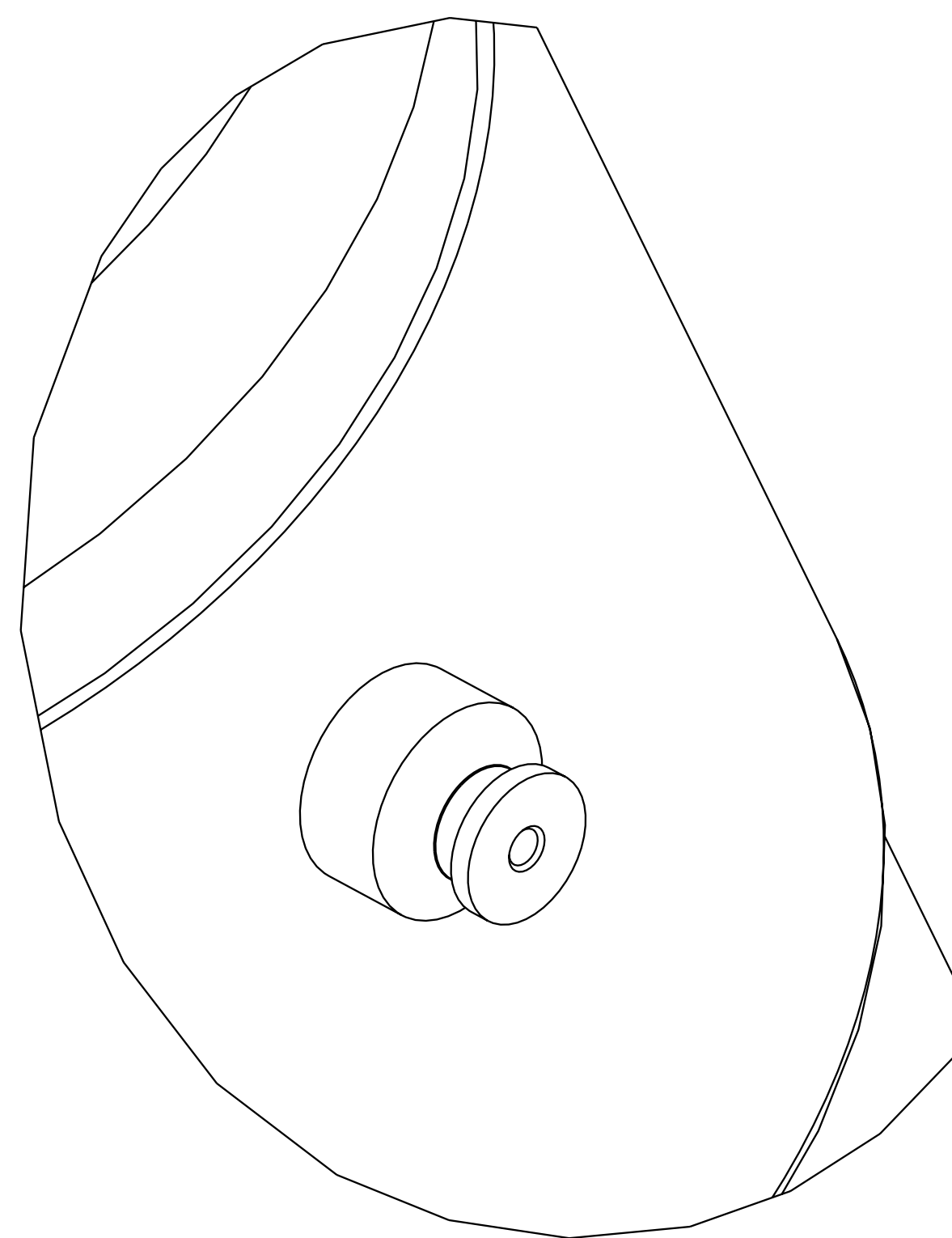
4. TUBE ENDS MUST BE SEALED.

5 LIQUID/VAPOR INJECTION FOR ZF48 MODELS ONLY.
 (LIQUID INJECTION SHOWN ON SHEET 1)
 LIQUID INJECTION FITTING, I.D. ϕ 6.45-6.55 [0.254-0.258]
 VAPOR INJECTION FITTING, I.D. ϕ 15.95-16.05 [0.628-0.632]

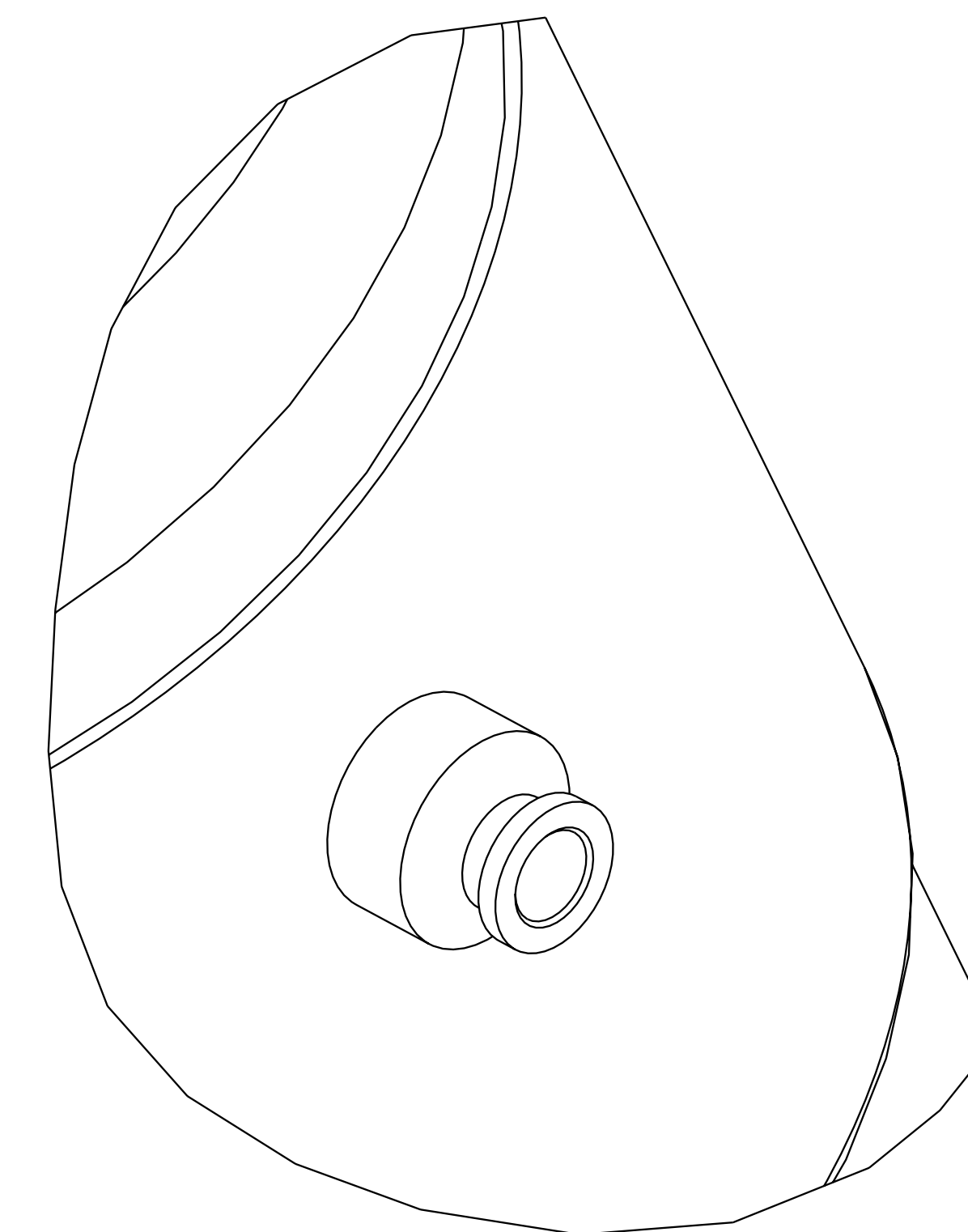
6 REFERENCE SCHRAEDER VALVE TORQUE
 BODY TO 23-25 NM, 200-220 In LBS.

DUE TO ACCUMULATED ASSEMBLY TOLERANCES
 THE LISTED COMPONENTS MAY VARY FROM
 THE MOUNTING HOLES AS TABULATED

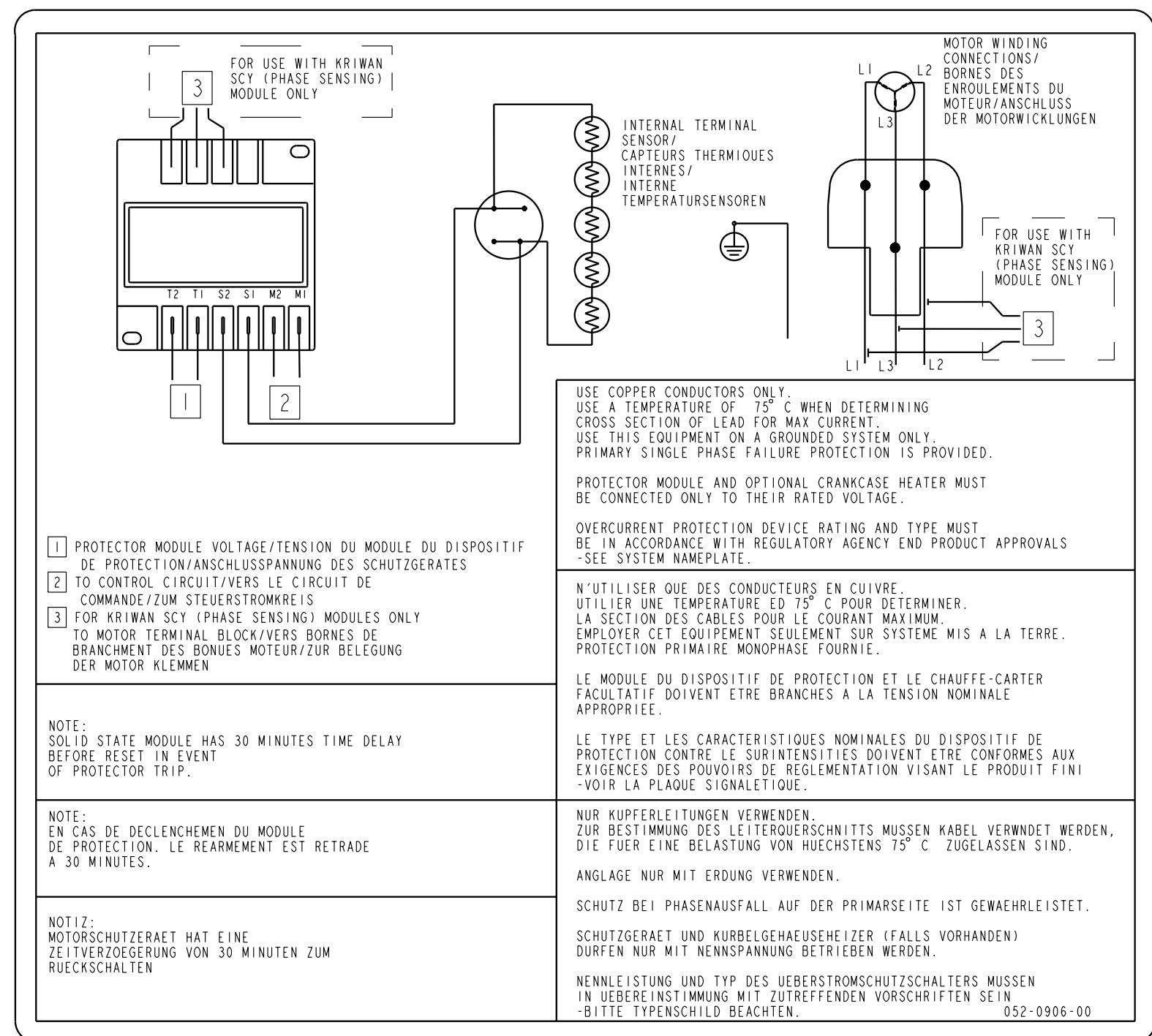
SUCTION FITTING	± 3.0 [0.12]
DISCHARGE FITTING	± 3.0 [0.12]
INJECTION FITTING	± 3.0 [0.12]



5 LARGE LIQUID INJECTION FITTING

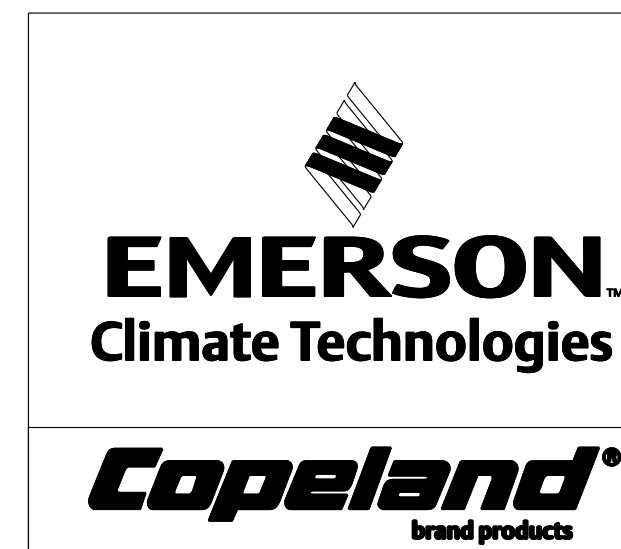


5 VAPOR INJECTION FITTING



ENG NOTICE NO.	REV. NO.	REVISIONS	DATE	BY	CHKD	APPR
ECN005286	11	REMOVED VIEW SMALL FITING	03-22-12	JS	MD	VC
32-1105-068	10	SEE SHEET 1	11-20-07	VDJ	DC	NM
34-0606-019	9	LOGO BLOCK REMOVED	05-25-07	SUP	BF	CHK
32-1002-701	8	SEE SHEET 2	06-20-05	ND	C.B.	N.M.
32-1002-701	7	REDRAWN & REVISED	06-24-02	OTL	CHK	
32-0799-030	0	RELEASED	06-15-99	OTL		

CONFIDENTIALITY NOTICE			
18	THIS DRAWING AND INFORMATION CONTAINED HEREIN ARE THE EXCLUSIVE PROPERTY OF EMERSON CLIMATE TECHNOLOGIES, INC AND SHALL BE RETURNED UPON DEMAND AND SHALL NOT BE REPRODUCED IN WHOLE OR IN PART, DISCLOSED TO ANYONE ELSE OR USED, WITHOUT THE WRITTEN CONSENT OF EMERSON CLIMATE TECHNOLOGIES, INC.		
MATERIAL SPECIFICATION	N/A	DRAWN BY	SUPERSEDES DWG. NO. / REV. NO.
		OTL	497-0292-00 / 6
		DATE	SCALE
		06-15-99	1:1
TITLE	DRAWING NUMBER	SHEET 2 OF 2	DWG
REF. WELDED COMP. ASSM	497-0292-00		4
			SIZE



INTERPRET PER ASME Y14.5M-1994 AND EMERSON CLIMATE TECHNOLOGIES, INC. DESIGN STANDARDS DS2002 DO NOT SCALE DRAWING

CRITICAL PRODUCT CHARACTERISTIC

THIRD ANGLE PROJECTION

UNLESS OTHERWISE SPECIFIED DIMENSIONS ARE MILLIMETER OR (INCH)

TOLERANCES:
 1-PLACE ± 0.4
 2-PLACE ± 0.15
 ANGULAR $\pm 0.5^\circ$

9

©COPYRIGHT EMERSON CLIMATE TECHNOLOGIES, INC. - CONFIDENTIAL