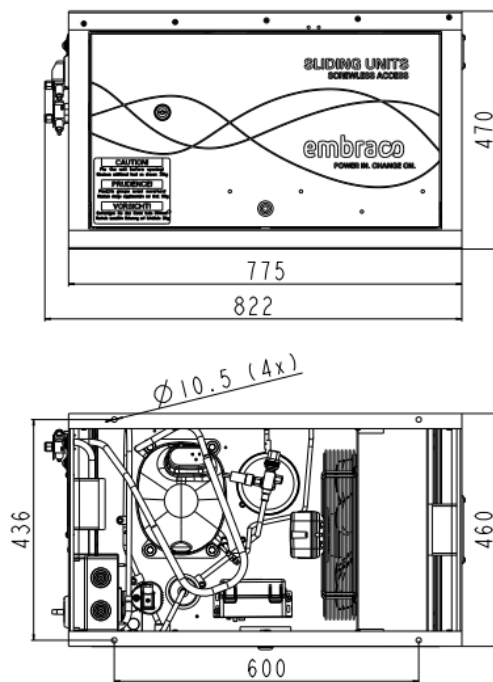


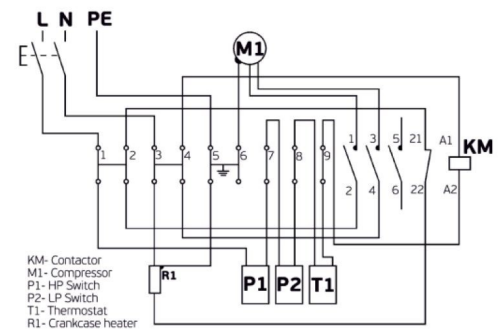
GENERAL DATA

Application:	LBP
Refrigerant:	R404A
Expansion Device:	C-V
Weight:	67 kg
Receiver:	2.3 liter
Voltage/Frequency:	220 - 240 V 50 ~
Height:	67 mm
Length:	822 mm
Width:	460 mm
Institute Approvals:	CE

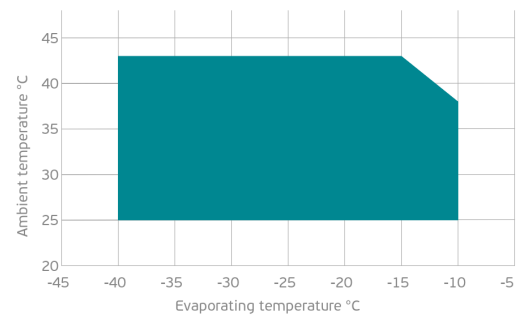
EXTERNAL DIMENSIONS



WIRING DIAGRAM



OPERATING ENVELOPE



COMPONENTS (SPARE PARTS)

condenser:	3R14T	2451221	fankit:	S4E300-XX	1996589
valve_suca:	SOLDER 1/2"	2110118	valve_disch:	SOLDER 3/8"	2110119
dryer:	FILTER DRYER 10MM ODF	2730010	sightglass:	SIGHT GLASS 10MM ODF	2464040
lpressostat:	PS1-A3K	2466036	heater:	CRANKCASE HEATER 230V/55W	2464141
flexihose:	FLEXI HOSE 12MM ODF	2464244	hpressostat:	P100CP-106D	2466034
compressor:	NJ2212GK	943DA11..AC	elkit:	ELECTRICAL BOX	1996561

For additional accessories please contact our technical support

ELECTRICAL DATA

Motor Type: CSR -
Locked Rotor Amperage (LRA): 36 A
Max.Current: 8.4 A

At maximum evaporating temperature and maximum ambient temperature.

FAN MOTOR

Number: 1 -
Shaft Power: 95 W
Air Flow: 1450 m³/h
Blade Diameter: - mm

PERFORMANCE CURVE DATA

Standard: EN13215-RG20 / return gas 20°C, subcooling 3K

50 Hz

	Evaporating Temperature (°C)	Cooling Capacity (W)	Power Consumption (W)	Current Consumption (A)	Efficiency (W/W)
25 °C Ambient Temperature	-10°C	2 231	1 740	8.41	1.28
	-15°C	1 963	1 513	7.35	1.30
	-20°C	1 698	1 308	6.40	1.30
	-25°C	1 436	1 125	5.57	1.28
	-30°C	1 177	963	4.86	1.22
	Rated point -35°C	921	822	4.26	1.12
	-40°C	668	701	3.76	0.95
32 °C Ambient Temperature	-10°C	2 029	1 796	8.68	1.13
	-15°C	1 784	1 559	7.57	1.14
	-20°C	1 543	1 346	6.58	1.15
	-25°C	1 305	1 157	5.73	1.13
	-30°C	1 070	992	5.00	1.08
	Rated point -35°C	838	849	4.40	0.99
	-40°C	608	730	3.92	0.83
43 °C Ambient Temperature	-15°C	1 518	1 664	8.08	0.91
	-20°C	1 312	1 432	7.01	0.92
	-25°C	1 110	1 228	6.08	0.90
	-30°C	909	1 050	5.30	0.87
	Rated point -35°C	712	900	4.66	0.79
	-40°C	517	775	4.16	0.67