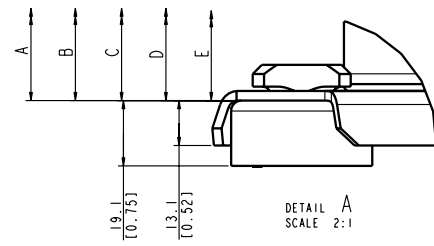
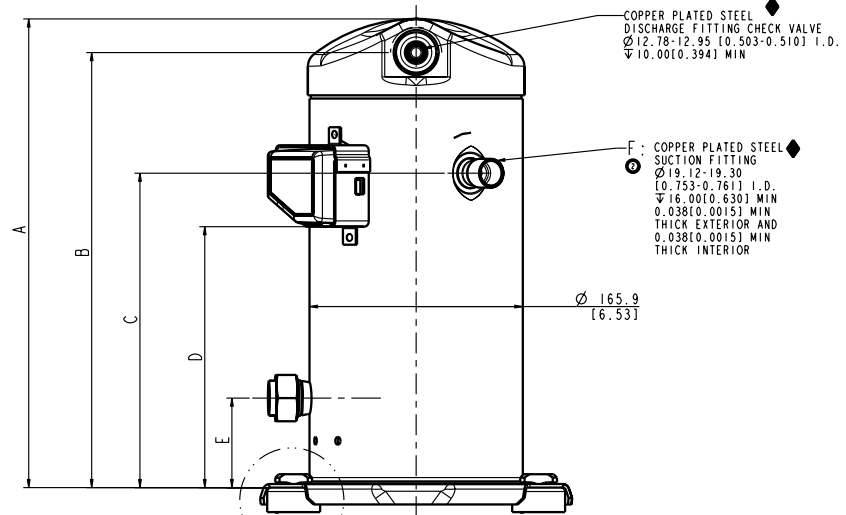


SCALE 2:1



G: COPPER PLATED STEEL SUCTION FITTING
 Ø22.30 - 22.48 [0.8760 - 0.8850] I.D.
 Ψ20.40 [0.8031] MIN THICK EXTERIOR AND 0.038[0.0015] MIN THICK INTERIOR



DETAIL A SCALE 2:1

SEE DETAIL A

SIGHT GLASS



INTERPRET PER ASME Y14.2M-1994 AND EMERSON CLIMATE TECHNOLOGIES, INC. DESIGN STANDARDS AND/OR SPECIFICATIONS. THIS DRAWING IS THE PROPERTY OF EMERSON CLIMATE TECHNOLOGIES, INC. UNLESS OTHERWISE SPECIFIED DIMENSIONS ARE MILLIMETER OR INCH UNLESS INDICATED OTHERWISE. TYPICAL ANGULAR ± 0.5°

ENG NOTICE NO.	REV. NO.	REVISIONS	DATE	BY	CHKD	APPD
ECN00140	3	UPDATED SIGHT GLASS ASSEMBLY	01-27-11	FT	LJC	CM
ECN002512	2	ADDED 1/8 INCH SUCTION FITTING	06-01-10	FT	LJC	SK
ECN001809	1	CORRECT THE TYPE ERROR	08-25-09	FT	LJC	SK
ECN001809	0	RELEASED - 00 TO - 01	06-05-09	FT	LJC	SK

CONFIDENTIALITY NOTICE	DATE	SCALE	DATE FORMAT
THIS DRAWING AND INFORMATION CONTAINED HEREIN ARE THE EXCLUSIVE PROPERTY OF EMERSON CLIMATE TECHNOLOGIES, INC. AND SHALL BE RETURNED UPON DEMAND AND SHALL NOT BE REPRODUCED IN WHOLE OR IN PART, DISCLOSED TO ANYONE ELSE OR USED, WITHOUT THE WRITTEN CONSENT OF EMERSON CLIMATE TECHNOLOGIES, INC.	N/A	3:4	MM-DD-YY

TITLE	DRAWING NUMBER	SHEET 2 OF 2
REF DWG-WELD COMP ASSM	497-0873-00	6

UNCONTROLLED - DO NOT MODIFY

COPYRIGHT EMERSON CLIMATE TECHNOLOGIES, INC. - CONFIDENTIAL