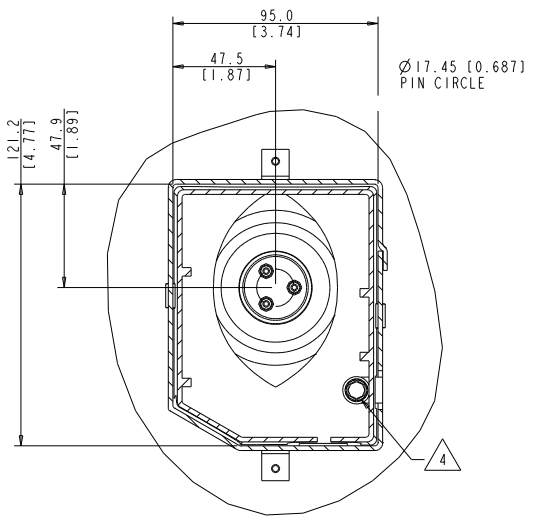
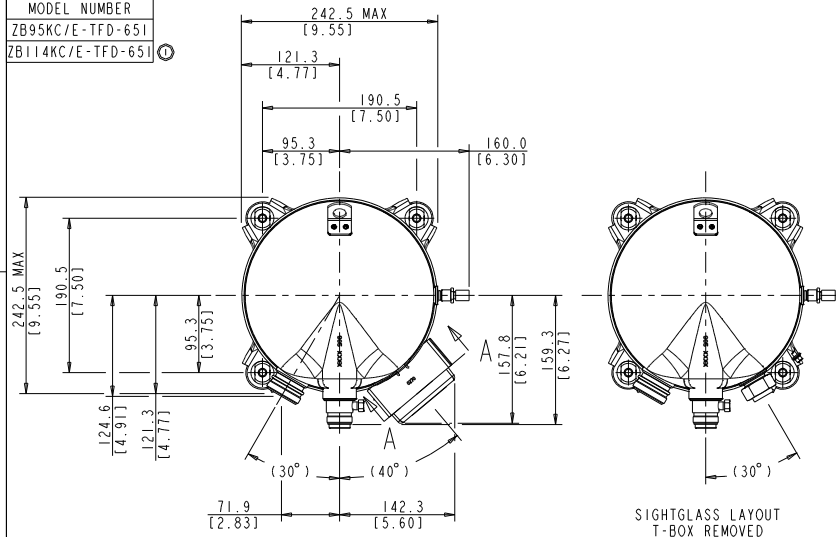


MODEL NUMBER
 ZB95KC/E-TFD-65I
 ZB114KC/E-TFD-65I

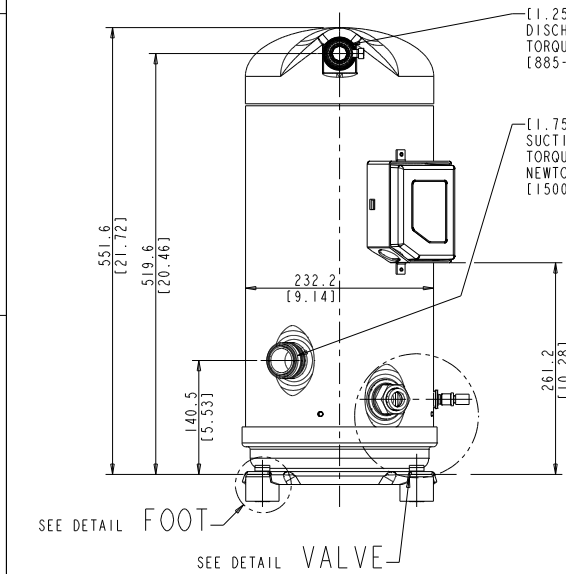
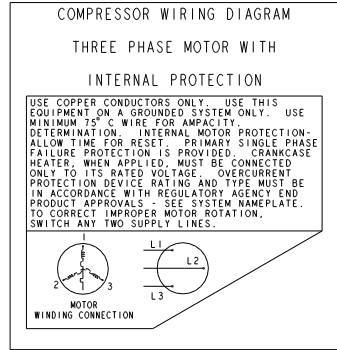
SPECIFICATIONS
 ES NO. DESCRIPTION
 ES92-155 CONVERSION-METRIC



- NOTES:
- 1 ALL TOLERANCES ± 1.5 [0.06] UNLESS OTHERWISE SPECIFIED. DUE TO ACCUMULATED ASSEMBLY TOLERANCES THE LISTED COMPONENTS MAY VARY FROM THE MOUNTING HOLES AS TABULATED.
 - ◇ SUCTION FITTING ± 3.0 [0.12]
 - ◇ DISCHARGE FITTING ± 3.0 [0.12]
 - 2. MOUNTING KIT: 527-0210-00.
 - 3. TUBE ENDS MUST BE PLUGGED.
 - 4 GROUNDING SCREW AND WASHER PER BOM

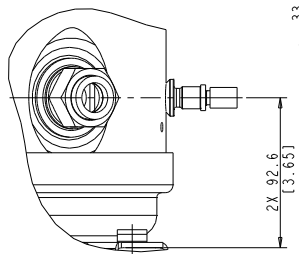
SIGHTGLASS LAYOUT
 T-BOX REMOVED

T-BOX LAYOUT
 STANDARD
 SECTION A-A
 SCALE 1:1

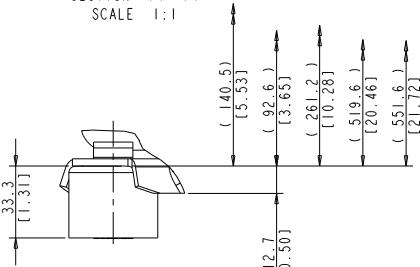


1.25-12) THREAD ROTALOCK SPUD ◇
 DISCHARGE CHECK VALVE
 TORQUE RANGE 100-110 NEWTON-METERS
 (885-975 IN-LBS)

1.75-12) THREAD ROTALOCK SPUD ◇
 SUCTION FITTING
 TORQUE RANGE 170-180
 NEWTON-METERS
 (1500-1590 IN-LBS)



DETAIL VALVE
 SCALE 3:4



DETAIL FOOT
 SCALE 1:1

SEE DETAIL FOOT
 SEE DETAIL VALVE



INTERPRET PER ASME
 Y14.5M-1994 AND
 EMERSON CLIMATE
 TECHNOLOGIES, INC.
 DESIGN STANDARDS DS2002
 DO NOT SCALE DRAWING

THIRD ANGLE
 PROJECTION

CRITICAL PRODUCT
 CHARACTERISTIC

UNLESS OTHERWISE SPECIFIED
 DIMENSIONS ARE MILLIMETER OR (INCH)
 TOLERANCES

1-PLACE \pm N/A
 2-PLACE \pm N/A
 ANGULAR \pm N/A

ECN001988	2	CHANGED SIGHT GLASS	01-20-11	LG	MD	VC
ECN001864	1	ADDED MODEL NUMBER IN TABLE	05-17-10	JS	VC	VC
ECN001756	0	RELEASED	02-16-10	A.C.	V.C.	V.C.
ENG NOTICE NO.	REV. NO.	REVISIONS	DATE	BY	CHD	APPR
15		CONFIDENTIALITY NOTICE				
THIS DRAWING AND INFORMATION CONTAINED HEREIN ARE THE EXCLUSIVE PROPERTY OF EMERSON CLIMATE TECHNOLOGIES, INC. AND SHALL BE RETURNED UPON DEMAND AND SHALL NOT BE REPRODUCED IN WHOLE OR IN PART DISCLOSED TO ANYONE ELSE OR USED WITHOUT THE WRITTEN CONSENT OF EMERSON CLIMATE TECHNOLOGIES, INC.						
MATERIAL SPECIFICATION		DRAWN BY		SUPERSEDES ENG. NO. / REV. NO.		
N/A		DATE		SCALE		
		02-10-10		1:1		
TITLE		DRAWING NUMBER		SHEET 1 OF 1		
REF DWG-WELD COMP ASM		497-0937-00		4		