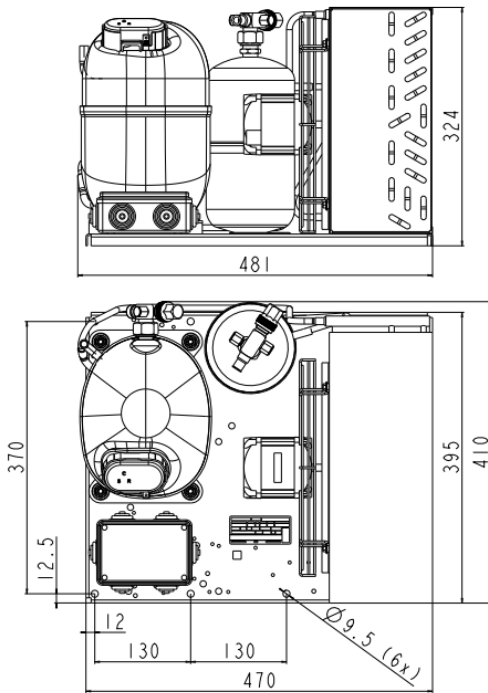


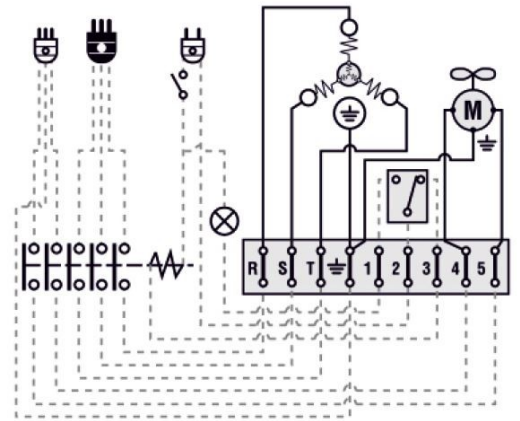
GENERAL DATA

Application:	M/HBP
Refrigerant:	R134a
Expansion Device:	C-V
Weight:	36.5 kg
Receiver:	2.3 liter
Voltage/Frequency:	380 - 420 V 50 ~
Height:	36.5 mm
Length:	481 mm
Width:	410 mm
Institute Approvals:	CE

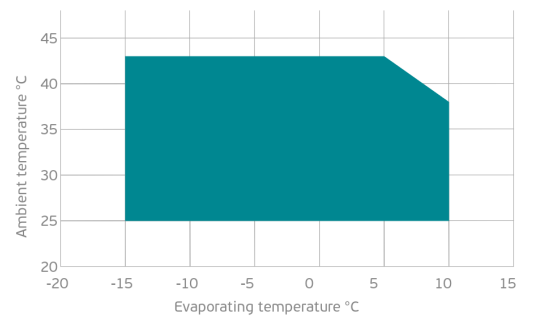
EXTERNAL DIMENSIONS



WIRING DIAGRAM



OPERATING ENVELOPE



COMPONENTS (SPARE PARTS)

condenser:	3R12T	2451140
valve_disch:	FLARE 3/8"	2110056
compressor:	NJ6226ZX	148IM19..AC

condenser:	3R12T	2451140
valve_disch:	FLARE 3/8"	2110056
compressor:	NJ6226ZX	148IM19..AC

For additional accessories please contact our technical support

ELECTRICAL DATA

Motor Type: 3PH -
Locked Rotor Amperage (LRA): 13 A
Max.Current: 2.4 A

At maximum evaporating temperature and maximum ambient temperature.

FAN MOTOR

Number: 1 -
Shaft Power: 34 W
Air Flow: 640 m³/h
Blade Diameter: 275 mm

PERFORMANCE CURVE DATA

Standard: EN13215-RG20 / return gas 20°C, subcooling 3K

50 Hz

	Evaporating Temperature (°C)	Cooling Capacity (W)	Power Consumption (W)	Current Consumption (A)	Efficiency (W/W)
25 °C Ambient Temperature	10°C	3 560	1 310	2.78	2.72
	5°C	2 809	1 222	2.60	2.30
	0°C	2 328	1 106	2.41	2.11
	-5°C	2 006	977	2.24	2.05
	Rated point -10°C	1 727	856	2.11	2.02
	-15°C	1 379	759	2.02	1.82
32 °C Ambient Temperature	10°C	3 257	1 349	2.87	2.41
	5°C	2 531	1 261	2.68	2.01
	0°C	2 083	1 142	2.48	1.82
	-5°C	1 799	1 011	2.31	1.78
	Rated point -10°C	1 566	884	2.17	1.77
	-15°C	1 271	780	2.08	1.63
43 °C Ambient Temperature	5°C	2 257	1 323	2.84	1.71
	0°C	1 811	1 205	2.63	1.50
	-5°C	1 540	1 071	2.45	1.44
	Rated point -10°C	1 330	939	2.30	1.42
	-15°C	1 068	827	2.21	1.29