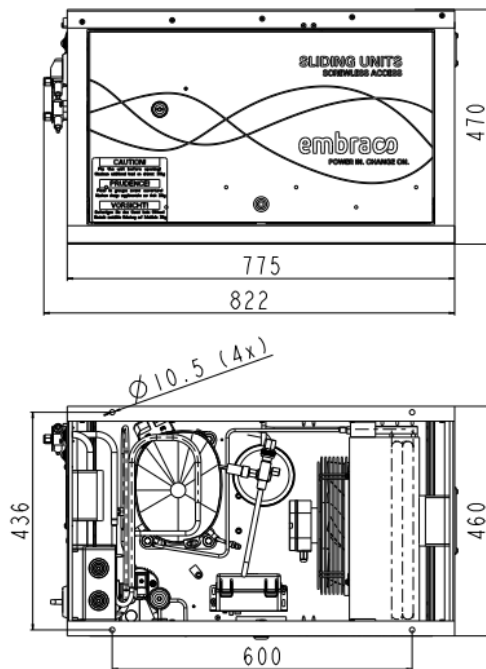


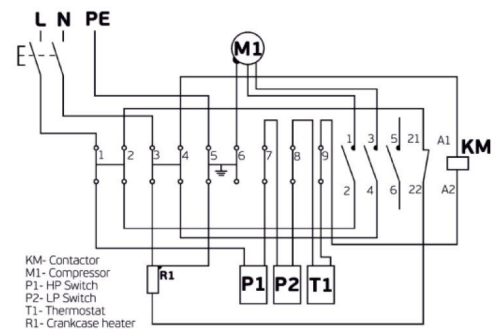
**GENERAL DATA**

Application:	LBP
Refrigerant:	R404A
Expansion Device:	C-V
Weight:	65 kg
Receiver:	2.3 liter
Voltage/Frequency:	220 - 240 V 50 ~
Height:	65 mm
Length:	822 mm
Width:	460 mm
Institute Approvals:	<b>CE</b>

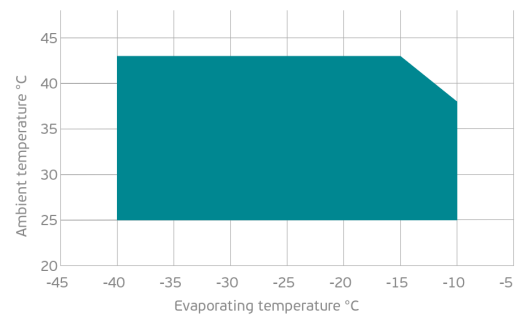
**EXTERNAL DIMENSIONS**



**WIRING DIAGRAM**



**OPERATING ENVELOPE**



**COMPONENTS (SPARE PARTS)**

<b>valve_suca:</b>	SOLDER 1/2"	2110118	<b>valve_disch:</b>	SOLDER 3/8"	2110119
<b>dryer:</b>	FILTER DRYER 10MM ODF	2730010	<b>sightglass:</b>	SIGHT GLASS 10MM ODF	2464040
<b>lpressostat:</b>	PS1-A3K	2466036	<b>hpressostat:</b>	P100CP-106D	2466034
<b>compressor:</b>	NT2192GK	923EA04..AC	<b>condenser:</b>	3R12T	2451226
<b>fankit:</b>	AXIAL FAN 230V/50HZ/1PH	1996726	<b>elkit:</b>	ELECTRICAL BOX/PROTECTOR	1996562/2321105
<b>heater:</b>	CRANKCASE HEATER 230V/40W	2464205	<b>flexihose:</b>	FLEXI HOSE 10MM ODF	2464241

For additional accessories please contact our technical support

**ELECTRICAL DATA**

**Motor Type:** CSR -  
**Locked Rotor Amperage (LRA):** 35 A  
**Max.Current:** 4.9 A

At maximum evaporating temperature and maximum ambient temperature.

**FAN MOTOR**

**Number:** 1 -  
**Shaft Power:** - W  
**Air Flow:** 1450 m<sup>3</sup>/h  
**Blade Diameter:** 250 mm

**PERFORMANCE CURVE DATA**

Standard: EN13215-RG20 / return gas 20°C, subcooling 3K

50 Hz

	Evaporating Temperature (°C)	Cooling Capacity (W)	Power Consumption (W)	Current Consumption (A)	Efficiency (W/W)
25 °C Ambient Temperature	-10°C	1 756	995	4.90	1.76
	-15°C	1 512	890	4.42	1.70
	-20°C	1 279	792	3.99	1.61
	-25°C	1 058	702	3.60	1.51
	-30°C	850	620	3.26	1.37
	Rated point -35°C	656	545	2.96	1.21
	-40°C	477	477	2.72	1.00
32 °C Ambient Temperature	-10°C	1 540	1 039	5.13	1.48
	-15°C	1 332	924	4.60	1.44
	-20°C	1 134	818	4.11	1.39
	-25°C	946	721	3.67	1.31
	-30°C	771	632	3.29	1.22
	Rated point -35°C	609	552	2.95	1.10
	-40°C	461	481	2.67	0.96
43 °C Ambient Temperature	-15°C	1 130	961	4.75	1.18
	-20°C	953	844	4.23	1.13
	-25°C	787	739	3.77	1.07
	-30°C	631	643	3.35	0.98
	Rated point -35°C	486	559	3.00	0.87
	-40°C	353	484	2.70	0.73