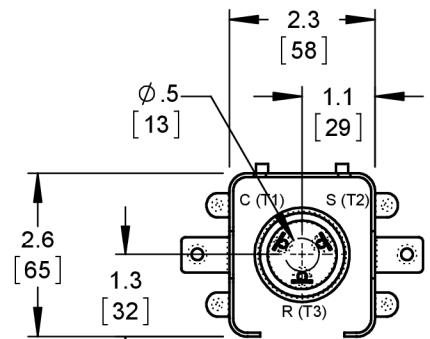
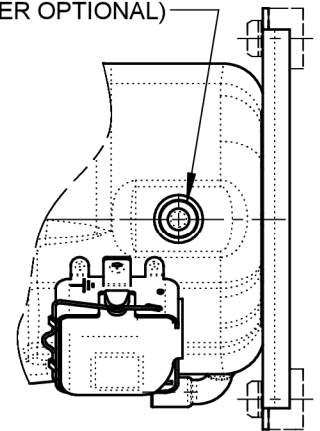
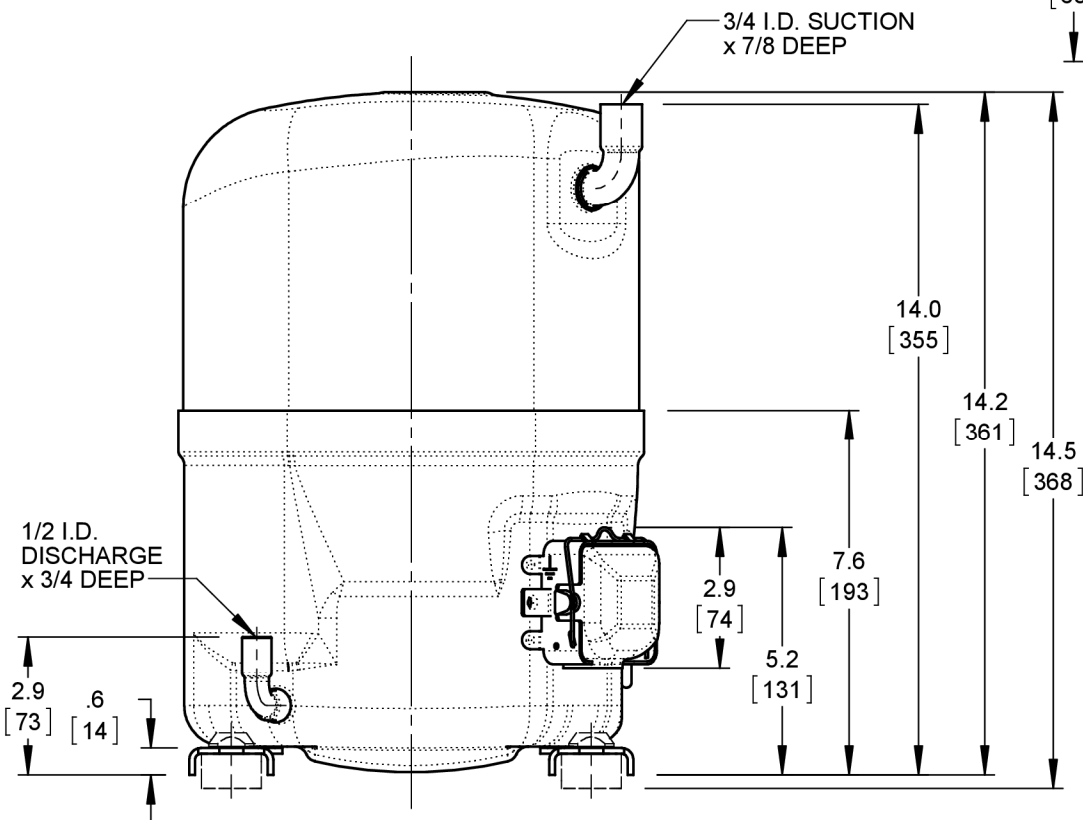


CRANKCASE HEATER RECEPTACLE (HEATER OPTIONAL)



TERMINAL BOX (QUICK CONNECT TERMINAL)



MODEL: **H79B32UDBVA**

VOLTAGE: **460/380** PH: **3** Hz: **60** LRA: **40**
380/415 **3** **50** **42**

E/N RELEASE: **G03210**

REVISIONS

C	W01102	CS
---	--------	----

TOLERANCES UNLESS SPECIFIED

ONE PLACE DECIMAL: $\pm .125$ (3.158mm)
TWO PLACE DECIMAL: $\pm .06$ (1.5mm)
ANGULAR: $\pm 5^\circ$

MARKETING REQ:

CHKD: LBW	11-21-13
DRWN: JLH	11-21-13



B/M NO:

709141