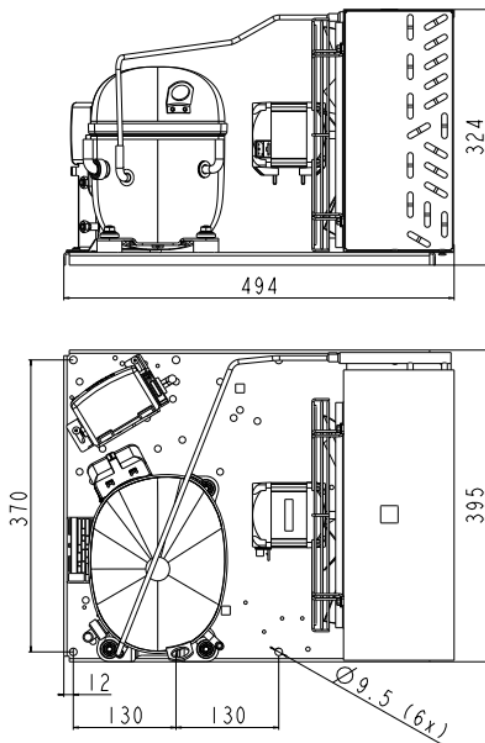


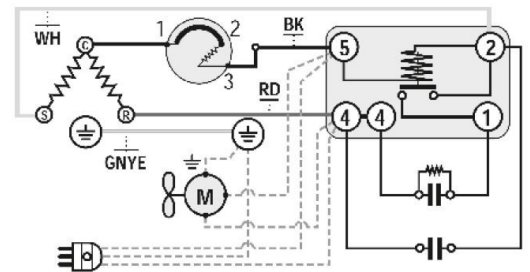
GENERAL DATA

Application:	HBP
Refrigerant:	R134a
Expansion Device:	C-V
Weight:	33.5 kg
Receiver:	0 liter
Voltage/Frequency:	200 - 240 V 50 ~ 230 V 60 ~
Height:	33.5 mm
Length:	494 mm
Width:	395 mm
Institute Approvals:	CE

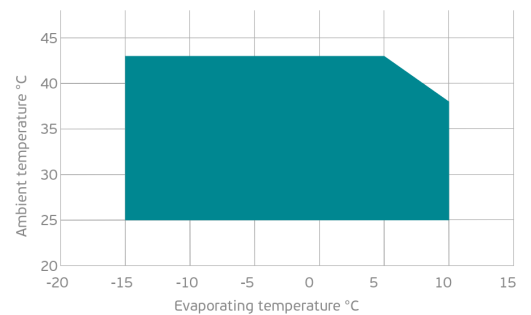
EXTERNAL DIMENSIONS



WIRING DIAGRAM



OPERATING ENVELOPE



COMPONENTS (SPARE PARTS)

condenser:	3R12T	2451140
elkit:	ELKOM NT6220Z	212CN0604A

fankit:	34W 275/31/5B	1996583
compressor:	NT6220Z	212CN04..AC

For additional accessories please contact our technical support

ELECTRICAL DATA

Motor Type: CSR -
Locked Rotor Amperage (LRA): 28 A
Max.Current: 5.99 A

At maximum evaporating temperature and maximum ambient temperature.

FAN MOTOR

Number: 1 -
Shaft Power: 34 W
Air Flow: 640 m³/h
Blade Diameter: 275 mm

PERFORMANCE CURVE DATA

Standard: EN13215-RG20 / return gas 20°C, subcooling 3K

50 Hz

	Evaporating Temperature (°C)	Cooling Capacity (W)	Power Consumption (W)	Current Consumption (A)	Efficiency (W/W)
25 °C Ambient Temperature	10°C	2 597	887	4.27	2.93
	5°C	2 235	800	3.91	2.79
	0°C	1 883	733	3.62	2.57
	-5°C	1 553	677	3.39	2.29
	Rated point -10°C	1 255	624	3.18	2.01
	-15°C	1 000	566	2.94	1.77
32 °C Ambient Temperature	10°C	2 361	915	4.41	2.58
	5°C	2 032	824	4.03	2.46
	0°C	1 711	754	3.73	2.27
	-5°C	1 410	697	3.49	2.02
	Rated point -10°C	1 140	643	3.27	1.77
	-15°C	910	584	3.04	1.56
43 °C Ambient Temperature	5°C	1 745	876	4.26	1.99
	0°C	1 455	794	3.90	1.83
	-5°C	1 181	726	3.61	1.63
	Rated point -10°C	935	663	3.35	1.41
	-15°C	728	596	3.08	1.22