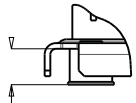


VUE SUIVANT F
View following F

PLOT CAOUTCHOUC
/Rubber grommet



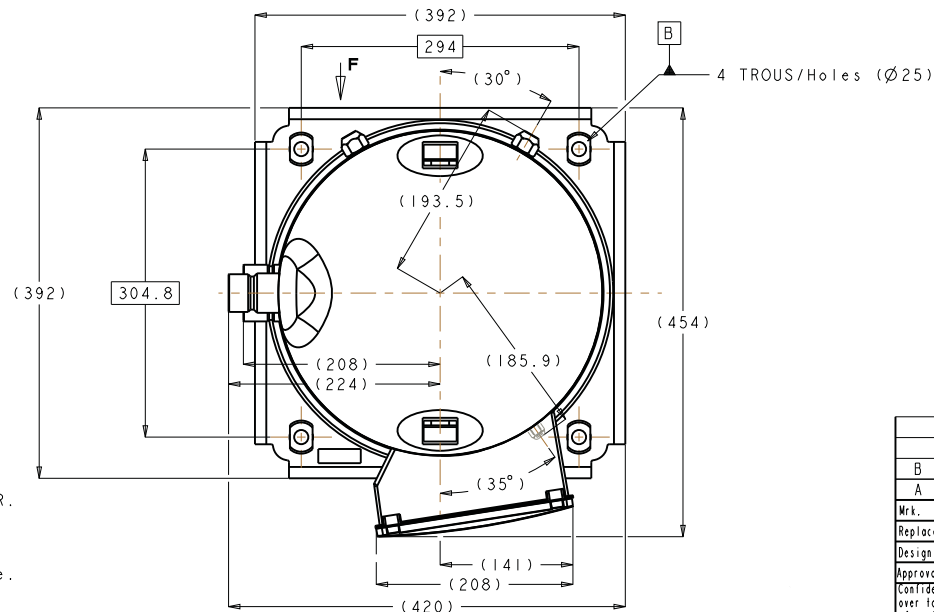
SANS COMPRESSION: (38)
/Without compression
AVEC COMPRESSION: (36)
/With compression

NOTE:

1. COMPRESSEUR EQUIPE DE CLAPET ANTI-RETOUR.

Note:

1. Compressor equipped with non return valve.



REFERENCE PIECE / Part number	
8556093P01	B

Mrk.	Approval/Rev	Date	Projection	Scale	Material	
B	ECR-2010-2897	07/03/11		1/4	Tol Gen	A2
A	ECR-2010-2588	27/10/10				
Replace					Designation	
Design	DPR				SZ/SY380 Outline Brazed	
Approval	BOP				ENCOMBREMENT BRASE SZ/SY380	
<small>Confidential: Property of Danfoss Commercial Compressors. Not to be handed over to copied or used by third party. Two or three dimensional reproduction of contents to be authorized by Danfoss CC.</small>						B.2 No. 8556093 Production print