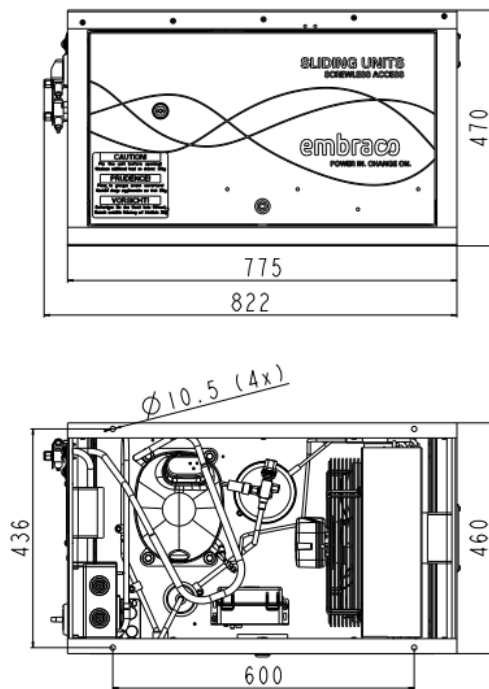


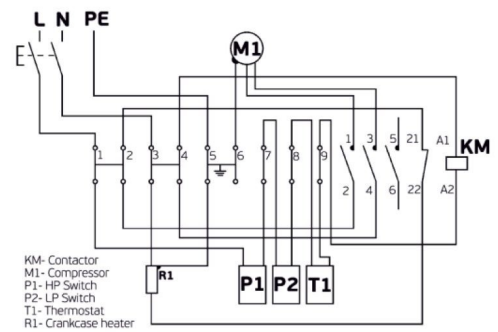
GENERAL DATA

| | |
|-----------------------------|------------------|
| Application: | M/HBP |
| Refrigerant: | R134a |
| Expansion Device: | C-V |
| Weight: | 82 kg |
| Receiver: | 2.3 liter |
| Voltage/Frequency: | 220 - 240 V 50 ~ |
| Height: | 82 mm |
| Length: | 822 mm |
| Width: | 460 mm |
| Institute Approvals: | CE |

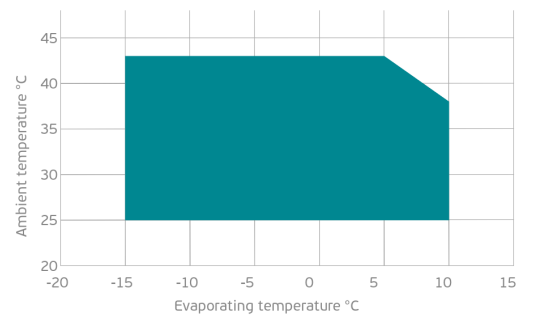
EXTERNAL DIMENSIONS



WIRING DIAGRAM



OPERATING ENVELOPE



COMPONENTS (SPARE PARTS)

| | | | | | |
|---------------------|------------------------------|-------------|---------------------|-----------------------------|-----------------|
| condenser: | 3R14T | 2451221 | fankit: | S4E300-XX | 1996589 |
| valve_suca: | SOLDER 1/2" | 2110118 | valve_disch: | SOLDER 3/8" | 2110119 |
| dryer: | FILTER DRYER 10MM ODF | 2730010 | sightglass: | SIGHT GLASS 10MM ODF | 2464040 |
| hpressostat: | P100CP-102D | 2466033 | lpressostat: | PS1-A3K | 2466036 |
| heater: | CRANKCASE HEATER 230V/55W | 2464141 | flexihose: | FLEXI HOSE 12MM ODF | 2464244 |
| compressor: | NJ6220Z | 144HA11..AC | elkit: | ELECTRICAL BOX/PROTECTOR | 1996556/2289016 |

For additional accessories please contact our technical support

ELECTRICAL DATA

Motor Type: CSR -
Locked Rotor Amperage (LRA): 35 A
Max.Current: 6.22 A

At maximum evaporating temperature and maximum ambient temperature.

FAN MOTOR

Number: 1 -
Shaft Power: 95 W
Air Flow: 840 m³/h
Blade Diameter: - mm

PERFORMANCE CURVE DATA

Standard: EN13215-RG20 / return gas 20°C, subcooling 3K

50 Hz

| | Evaporating Temperature (°C) | Cooling Capacity (W) | Power Consumption (W) | Current Consumption (A) | Efficiency (W/W) |
|-------------------------------------|------------------------------|----------------------|-----------------------|-------------------------|------------------|
| 25 °C Ambient Temperature | 10°C | 2 767 | 1 116 | 6.42 | 2.48 |
| | 5°C | 2 375 | 1 000 | 6.00 | 2.37 |
| | 0°C | 2 007 | 895 | 5.63 | 2.24 |
| | -5°C | 1 665 | 800 | 5.32 | 2.08 |
| | Rated point -10°C | 1 348 | 716 | 5.07 | 1.88 |
| | -15°C | 1 058 | 642 | 4.88 | 1.65 |
| 32 °C Ambient Temperature | 10°C | 2 517 | 1 150 | 6.62 | 2.19 |
| | 5°C | 2 157 | 1 032 | 6.18 | 2.09 |
| | 0°C | 1 821 | 924 | 5.80 | 1.97 |
| | -5°C | 1 510 | 827 | 5.48 | 1.83 |
| | Rated point -10°C | 1 224 | 739 | 5.23 | 1.66 |
| | -15°C | 965 | 661 | 5.03 | 1.46 |
| 43 °C Ambient Temperature | 5°C | 1 784 | 1 093 | 6.38 | 1.63 |
| | 0°C | 1 493 | 975 | 5.95 | 1.53 |
| | -5°C | 1 226 | 865 | 5.59 | 1.42 |
| | Rated point -10°C | 983 | 765 | 5.29 | 1.28 |
| | -15°C | 766 | 674 | 5.06 | 1.14 |