

SC15DL MBP/HBP Compressor R404A/R507 & R407C 220-240V 50Hz

General

Code number	104L2856
Approvals	EN 60335-2-34
Compressors on pallet	80

Application

Application	MBP/HBP		
Frequency	Hz	50	60
Evaporating temperature	°C	-20 to 15	-
Voltage range	V	198 - 254	-
Max. condensing temperature continuous (short)	°C	55 (60)	-
Max. winding temperature continuous (short)	°C	125 (135)	-

Cooling requirements

Frequency	Hz	50			60		
Application		LBP	MBP	HBP	LBP	MBP	HBP
32°C		-	F ₂	F ₂	-	-	-
38°C		-	F ₂	F ₂	-	-	-
43°C		-	-	-	-	-	-
Remarks on application:							

Motor

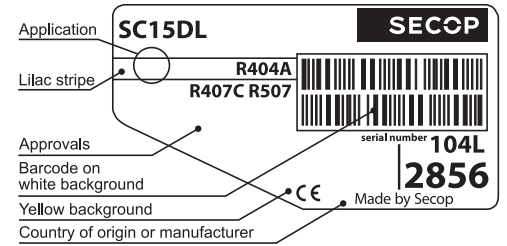
Motor type	CSR		
LRA (rated after 4 sec. UL984), HST LST	A	21.8	-
Cut in Current, HST LST	A	21.8	-
Resistance, main start winding (25°C)	Ω	3.5	12.2

Design

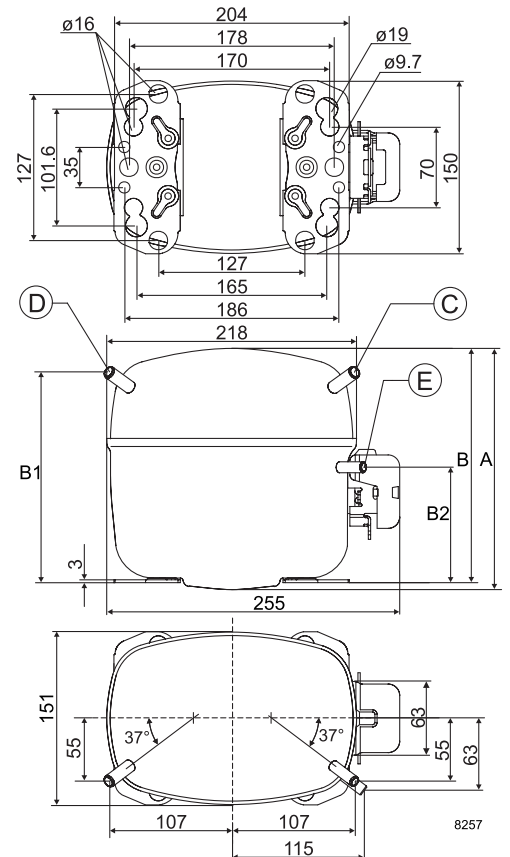
Displacement	cm ³	15.28
Oil quantity (type)	cm ³	600 (polyolester)
Maximum refrigerant charge	g	1300
Free gas volume in compressor	cm ³	1460
Weight without electrical equipment	kg	13.5

Dimensions

Height	mm	A	219
		B	213
		B1	193
		B2	110
Suction connector	location/I.D. mm angle	C	10.2 37°
	material comment		Copper Rubber plug
Process connector	location/I.D. mm angle	D	6.2 37°
	material comment		Copper Rubber plug
Discharge connector	location/I.D. mm angle	E	6.2 37°
	material comment		Copper Rubber plug
Oil cooler connector	location/I.D. mm angle	F	-
	material comment		-
Connector tolerance	I.D. mm		±0.09
Remarks:			



- S = Static cooling normally sufficient
- O = Oil cooling
- F₁ = Fan cooling 1.5 m/s
(compressor compartment temperature equal to ambient temperature)
- F₂ = Fan cooling 3.0 m/s necessary
- SG = Suction gas cooling normally sufficient
- = not applicable in this area



EN 12900 Household (CECOMAF) R404A/R507, 220V, 50Hz, fan cooling F₂

Evap. temp. in °C	-45	-40	-35	-30	-25	-23.3	-20	-15	-10	-6.7	-5	0	5	7.2	10	15	20
Capacity in W							759	964	1207	1391	1493	1825	2210	2397	2652	3156	
Power cons. in W							589	659	722	760	778	825	865	879	896	918	
Current cons. in A							3.09	3.46	3.79	3.98	4.07	4.31	4.50	4.57	4.64	4.75	
COP in W/W							1.29	1.46	1.67	1.83	1.92	2.21	2.56	2.73	2.96	3.44	

ASHRAE LBP R404A/R507, 220V, 50Hz, fan cooling F₂

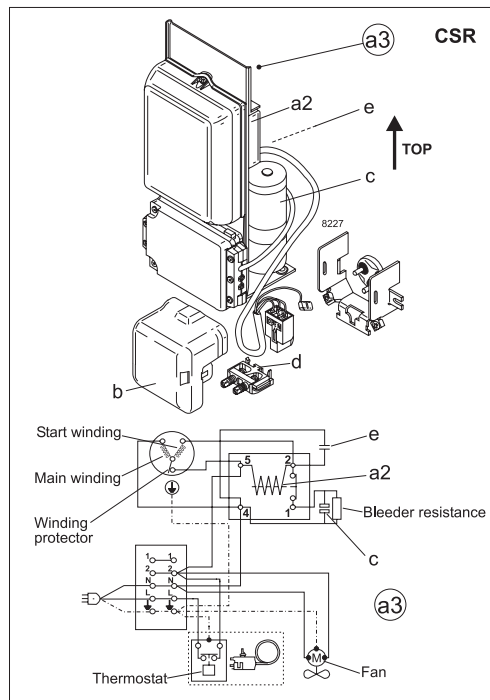
Evap. temp. in °C	-45	-40	-35	-30	-25	-23.3	-20	-15	-10	-6.7	-5	0	5	7.2	10	15	20
Capacity in W							881	1121	1405	1613	1740	2131	2585	2807	3109	3710	
Power cons. in W							589	659	722	760	778	825	865	879	896	918	
Current cons. in A							3.09	3.46	3.79	3.98	4.07	4.31	4.50	4.57	4.64	4.75	
COP in W/W							1.50	1.70	1.95	2.12	2.24	2.58	2.99	3.19	3.47	4.04	

EN 12900 Household (CECOMAF) R407C, 220V, 50Hz, fan cooling F₂

Evap. temp. in °C	-45	-40	-35	-30	-25	-23.3	-20	-15	-10	-6.7	-5	0	5	7.2	10	15	20
Capacity in W								777	1011	1187	1293	1629	2023	2217	2483	3014	
Power cons. in W								534	590	621	640	686	726	742	761	790	
Current cons. in A								2.84	3.08	3.22	3.30	3.50	3.67	3.74	3.82	3.94	
COP in W/W								1.45	1.71	1.90	2.02	2.37	2.79	2.99	3.26	3.82	

ASHRAE LBP R407C, 220V, 50Hz, fan cooling F₂

Evap. temp. in °C	-45	-40	-35	-30	-25	-23.3	-20	-15	-10	-6.7	-5	0	5	7.2	10	15	20
Capacity in W								833	1084	1273	1387	1748	2173	2381	2668	3241	
Power cons. in W								534	590	621	640	686	726	742	761	790	
Current cons. in A								2.84	3.08	3.22	3.30	3.50	3.67	3.74	3.82	3.94	
COP in W/W								1.56	1.84	2.05	2.17	2.55	2.99	3.21	3.51	4.10	



Accessories for SC15DL	Figure	Code number
Starting device	a3	117-7029
550 mm cable length		117-7032
650 mm cable length		
Cover	b	103N2009
Starting relay	a2	Components of starting device
Start. capacitor 80 µF	c	
Run capacitor 10 µF	e	
Cord relief	d	

Test conditions	EN 12900/CECOMAF	ASHRAE LBP
Condensing temperature	45°C	45°C
Ambient temperature	32°C	32°C
Suction gas temperature	32°C	32°C
Liquid temperature	45°C	32°C

Mounting accessories		Code number
Bolt joint for one comp.	Ø: 16 mm	118-1917
Bolt joint in quantities	Ø: 16 mm	118-1918
Snap-on in quantities	Ø: 16 mm	118-1919

Nidec GA Compressors accepts no responsibility for possible errors in catalogs, brochures, and other printed material. Nidec GA Compressors reserves the right to alter its products without notice. This also applies to products already on order provided that such alterations can be made without consequential changes being necessary to specifications already agreed. All trademarks in this material are the property of the respective companies. Secop and the Secop logotype are trademarks of Nidec Global Appliance Germany GmbH. All rights reserved. www.secop.com