

SEE DETAIL FOOT  
SEE DETAIL VALVE



INTERPRET PER ASME Y14.5M-1994 AND EMERSON CLIMATE TECHNOLOGIES, INC. DESIGN STANDARDS DS2002 DO NOT SCALE DRAWING  
CRITICAL PRODUCT CHARACTERISTIC  
THIRD ANGLE PROJECTION  
UNLESS OTHERWISE SPECIFIED DIMENSIONS ARE MILLIMETER OR [INCH]  
TOLERANCES:  
1-PLACE ± N/A  
2-PLACE ± N/A  
ANGULAR ± N/A

ENG NOTICE NO.	REV. NO.	REVISIONS	DATE	BY	CHKD	APPR
ECN005708	8	SEE SHEET 1	12-18-12	CX	DC	DC
ECN001912	7	SEE SHEET 4	11-16-11	MPC	DC	JS
ECN001988	6	ADDED NOTES AND CHANGED SIGHT GLASS	01-20-11	LG	MD	VC
ECN002613	5	SEE SHEET 1	07-21-10	AMN	DC	BR
ECN001944	4	SEE SHEET 1	06-17-10	PJD	DC	BR
ECN002246	3	SEE SHEET 1	02-02-10	XHT	LLB	KJR
ECN001381	2	CHARTED THE DIMN FOR ZBD76/58, RELEASED -01	07-23-09	VDJ	DC	DC
ECN001381	1	ADDED MODEL NUMBER ZBD58KCE	05-19-09	VDJ	DC	BR
ECN001193	0	RELEASED	08-04-08	VDJ	DC	PDM

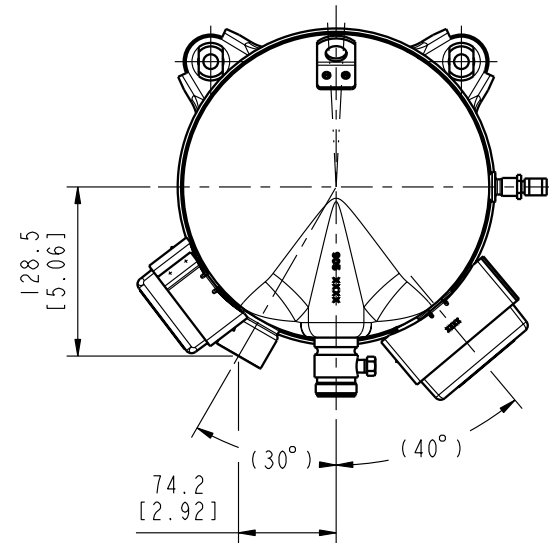
CONFIDENTIALITY NOTICE			
THIS DRAWING AND INFORMATION CONTAINED HEREIN ARE THE EXCLUSIVE PROPERTY OF EMERSON CLIMATE TECHNOLOGIES, INC. AND SHALL BE RETURNED UPON DEMAND AND SHALL NOT BE REPRODUCED IN WHOLE OR IN PART, DISCLOSED TO ANYONE ELSE OR USED, WITHOUT THE WRITTEN CONSENT OF EMERSON CLIMATE TECHNOLOGIES, INC.			
MATERIAL SPECIFICATION	DRAWN BY	SUPERSEDES DWG. NO. / REV. NO.	
N/A	VDJ	/	
	DATE	SCALE	DATE FORMAT:
	08-04-08	3:8	MM-DD-YY
TITLE	DRAWING NUMBER	SHEET 2 OF 5	DWG
REF DWG-WELD COMP ASM	497-0800-00		4
			SIZE

UNCONTROLLED - DO NOT MODIFY

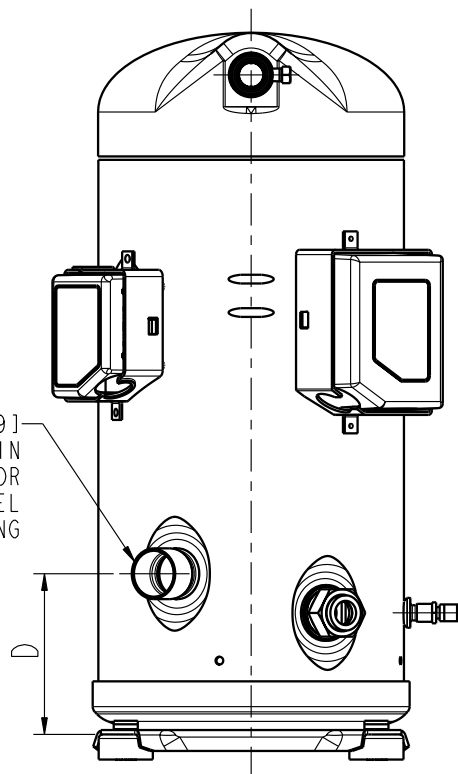
©COPYRIGHT EMERSON CLIMATE TECHNOLOGIES, INC. - CONFIDENTIAL

PART NUMBER

497-0800-02



◆  $\varnothing 34.84-35.02 [1.372-1.379]$   
 $\nabla 22.6 [0.890]$  MIN  
 0.038 [0.002] MIN THICK EXTERIOR  
 AND INTERIOR COPPER PLATED STEEL  
 SUCTION FITTING



ENG NOTICE NO.	REV. NO.	REVISIONS	DATE	BY	CHKD	APPR
ECN005708	8	SEE SHEET 1	12-18-12	CX	DC	DC
ECN001912	7	SEE SHEET 4	11-16-11	MPC	DC	JS
ECN001988	6	CHANGED SIGHT GLASS	01-20-11	LG	MD	VC
ECN002613	5	SEE SHEET 1	07-21-10	AMN	DC	BR
ECN001944	4	RELEASED -02, ADDED SHEET 3	06-17-10	PJD	DC	BR
ECN001193	0	RELEASED	08-04-08	VDJ	DC	PDM



INTERPRET PER ASME  
 Y14.5M-1994 AND  
 EMERSON CLIMATE  
 TECHNOLOGIES, INC.  
 DESIGN STANDARDS DS2002  
 DO NOT SCALE DRAWING

◆ CRITICAL PRODUCT CHARACTERISTIC

THIRD ANGLE PROJECTION

UNLESS OTHERWISE SPECIFIED  
 DIMENSIONS ARE MILLIMETER OR [INCH]  
 TOLERANCES:  
 1-PLACE ± N/A  
 2-PLACE ± N/A  
 ANGULAR ± N/A

CONFIDENTIALITY NOTICE			
15	THIS DRAWING AND INFORMATION CONTAINED HEREIN ARE THE EXCLUSIVE PROPERTY OF EMERSON CLIMATE TECHNOLOGIES, INC. AND SHALL BE RETURNED UPON DEMAND AND SHALL NOT BE REPRODUCED IN WHOLE OR IN PART, DISCLOSED TO ANYONE ELSE OR USED, WITHOUT THE WRITTEN CONSENT OF EMERSON CLIMATE TECHNOLOGIES, INC.		
MATERIAL SPECIFICATION	DRAWN BY	SUPERSEDES DWG. NO. / REV. NO.	
N/A	VDJ	/	
	DATE	SCALE	DATE FORMAT:
	08-04-08	3:8	MM-DD-YY
TITLE	DRAWING NUMBER	SHEET 3 OF 5	DWG
REF DWG-WELD COMP ASM	497-0800-00	4	SIZE

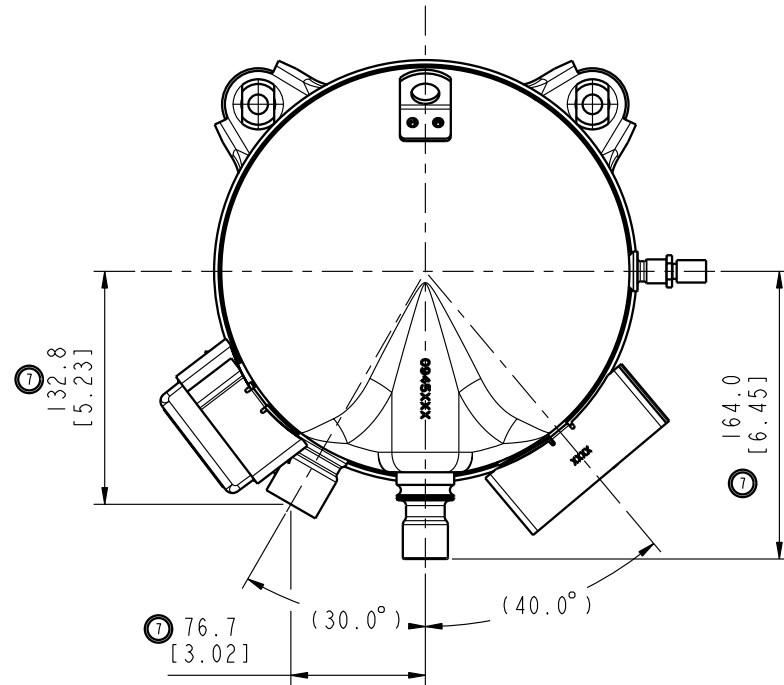
UNCONTROLLED - DO NOT MODIFY

©COPYRIGHT EMERSON CLIMATE TECHNOLOGIES, INC. - CONFIDENTIAL

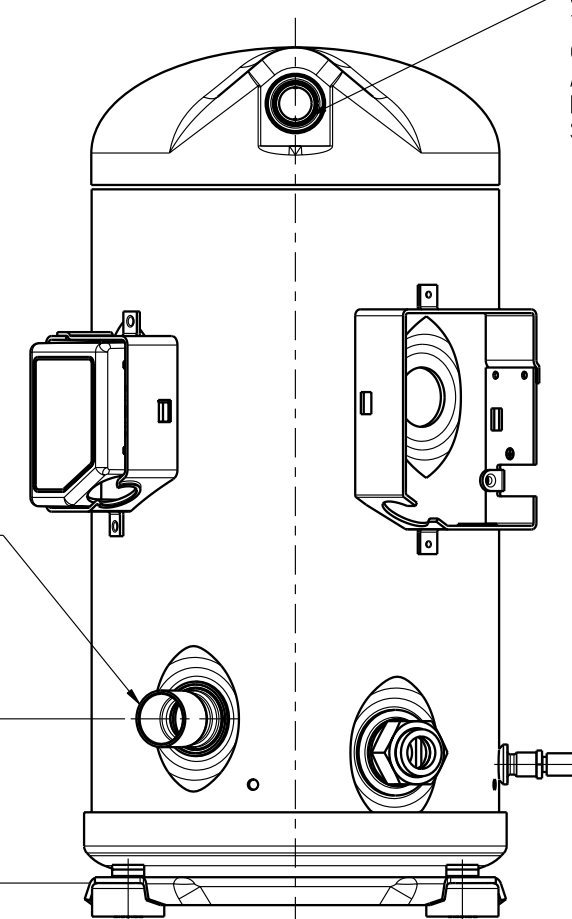
PART NUMBER

497-0800-03

5

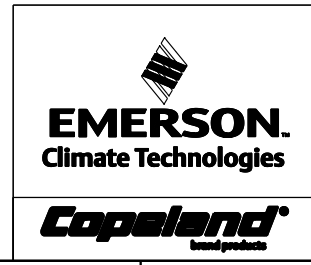


$\varnothing 22.30-22.42$  [0.878-0.883] ID  $\blacklozenge$   
 $\nabla 20.0$  [0.787] MIN.  
 0.038 [0.0015] MIN. THICK EXTERIOR  
 AND INTERIOR COPPER PLATED  
 DISCHARGE FITTING/  
 STEEL CHECK VALVE



$\blacklozenge \varnothing 28.49-28.67$  [1.122-1.129] ID  
 $\nabla 22.6$  [0.890] MIN  
 0.038 [0.0015] MIN THICK  
 EXTERIOR AND INTERIOR COPPER  
 PLATED STEEL SUCTION FITTING

ECN	REV. NO.	DESCRIPTION	DATE	BY	CHKD	APPR
ECN005708	8	SEE SHEET 1	12-18-12	CX	DC	DC
ECN001912	7	SUCTION FITTING DIM UPDATED AND DISCHARGE FITTING DIM ADDED	11-16-11	MPC	DC	JS
ECN001988	6	SEE SHEET 1,2	01-20-11	LG	MD	VC
ECN002613	5	RELEASED -03, ADDED SHEET 4	07-21-10	AMN	DC	BR
ECN001193	0	RELEASED	08-04-08	VDJ	DC	PDM



INTERPRET PER ASME  
 Y14.5M-1994 AND  
 EMERSON CLIMATE  
 TECHNOLOGIES, INC.  
 DESIGN STANDARDS DS2002  
 DO NOT SCALE DRAWING  
 CRITICAL PRODUCT CHARACTERISTIC  
 THIRD ANGLE PROJECTION  
 UNLESS OTHERWISE SPECIFIED  
 DIMENSIONS ARE MILLIMETER OR [INCH]  
 TOLERANCES:  
 1-PLACE  $\pm$  N/A  
 2-PLACE  $\pm$  N/A  
 ANGULAR  $\pm$  N/A

ENG NOTICE NO.	REV. NO.	REVISIONS	DATE	BY	CHKD	APPR
15		CONFIDENTIALITY NOTICE THIS DRAWING AND INFORMATION CONTAINED HEREIN ARE THE EXCLUSIVE PROPERTY OF EMERSON CLIMATE TECHNOLOGIES, INC. AND SHALL BE RETURNED UPON DEMAND AND SHALL NOT BE REPRODUCED IN WHOLE OR IN PART, DISCLOSED TO ANYONE ELSE OR USED, WITHOUT THE WRITTEN CONSENT OF EMERSON CLIMATE TECHNOLOGIES, INC.				
MATERIAL SPECIFICATION		DRAWN BY	SUPERSEDES DWG. NO. / REV. NO.			
N/A		VDJ	/			
		DATE	SCALE	DATE FORMAT:		
		08-04-08	1:1	MM-DD-YY		
TITLE			DRAWING NUMBER	SHEET 4 OF 5		
REF DWG-WELD COMP ASM			497-0800-00	4		
			SIZE			

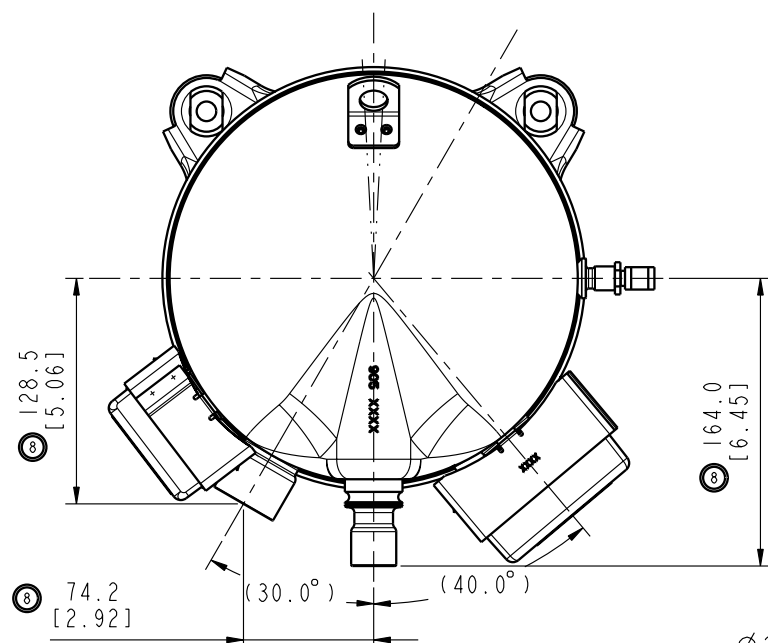
©COPYRIGHT EMERSON CLIMATE TECHNOLOGIES, INC. - CONFIDENTIAL

UNCONTROLLED - DO NOT MODIFY

PART NUMBER

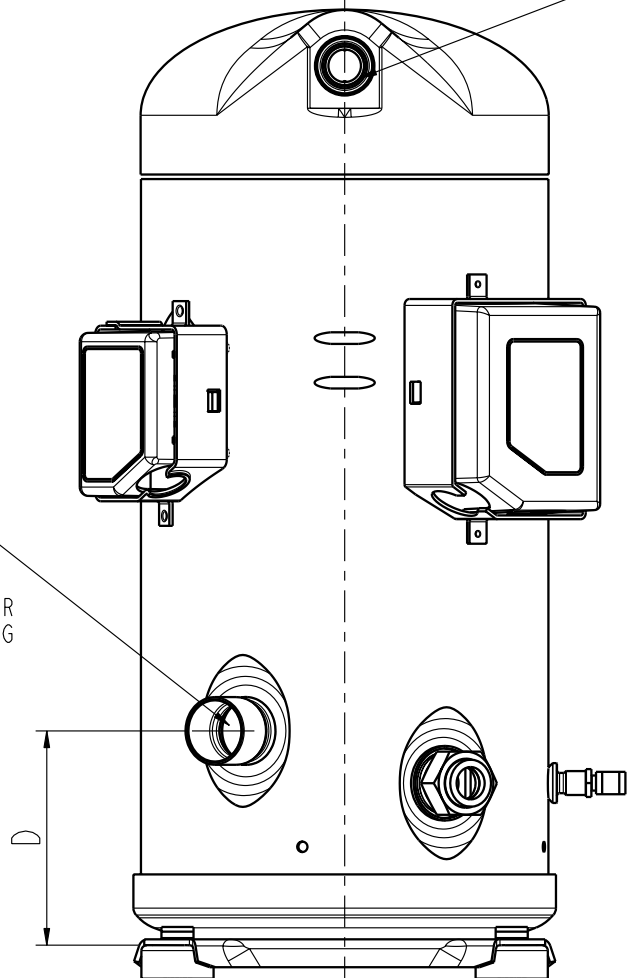
497-0800-04

8



⚠  $\varnothing 22.30-22.42 [0.878-0.883]$  ID  
 $\nabla 20.0 [0.787]$  MIN.  
 0.038 [0.0015] MIN. THICK EXTERIOR  
 AND INTERIOR COPPER PLATED  
 DISCHARGE FITTING/  
 STEEL CHECK VALVE

⚠  $\varnothing 34.84 [1.372-1.379]$  ID  
 $\nabla 22.6 [0.890]$  MIN  
 0.038 [0.0015] MIN THICK  
 EXTERIOR AND INTERIOR COPPER  
 PLATED STEEL SUCTION FITTING



SCALE 1:2



INTERPRET PER ASME  
 Y14.5M-1994 AND  
 EMERSON CLIMATE  
 TECHNOLOGIES, INC.  
 DESIGN STANDARDS DS2002  
 DO NOT SCALE DRAWING

CRITICAL PRODUCT  
 CHARACTERISTIC

THIRD ANGLE  
 PROJECTION

UNLESS OTHERWISE SPECIFIED  
 DIMENSIONS ARE MILLIMETER OR [INCH]  
 TOLERANCES:  
 1-PLACE  $\pm 0.4$   
 2-PLACE  $\pm 0.15$   
 ANGULAR  $\pm 0.5^\circ$

ENG NOTICE NO.	REV. NO.	REVISIONS	DATE	BY	CHKD	APPR
ECN005708	8	RELEASED -04, ADDED SHEET 5	12-18-12	CX	DC	DC
ECN001193	0	RELEASED	08-04-08	VDJ	DC	PDM

15 THIS DRAWING AND INFORMATION CONTAINED HEREIN ARE THE EXCLUSIVE PROPERTY OF EMERSON CLIMATE TECHNOLOGIES, INC. AND SHALL BE RETURNED UPON DEMAND AND SHALL NOT BE REPRODUCED IN WHOLE OR IN PART, DISCLOSED TO ANYONE ELSE OR USED, WITHOUT THE WRITTEN CONSENT OF EMERSON CLIMATE TECHNOLOGIES, INC.

MATERIAL SPECIFICATION N/A	DRAWN BY VDJ	SUPERSEDES DWG. NO. / REV. NO. /
	DATE 12-19-12	SCALE 1:1
		DATE FORMAT: MM-DD-YY

TITLE  
 REF DWG-WELD COMP ASM

DRAWING NUMBER  
 497-0800-00

SHEET 5 OF 5  
 4  
 SIZE

UNCONTROLLED - DO NOT MODIFY

©COPYRIGHT EMERSON CLIMATE TECHNOLOGIES, INC. - CONFIDENTIAL