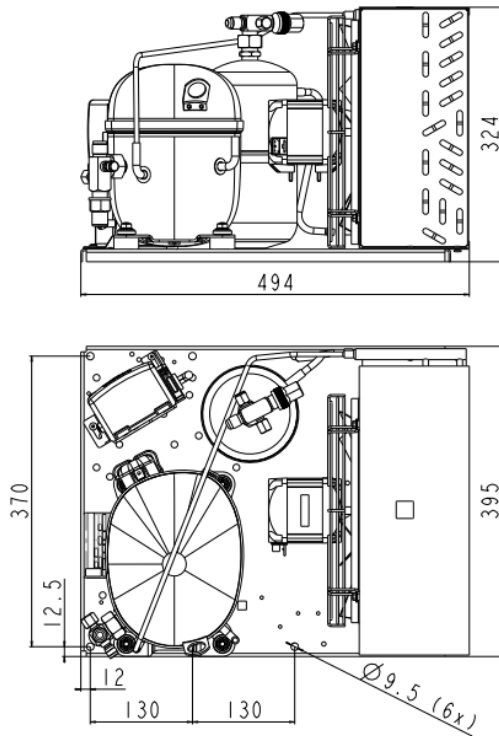


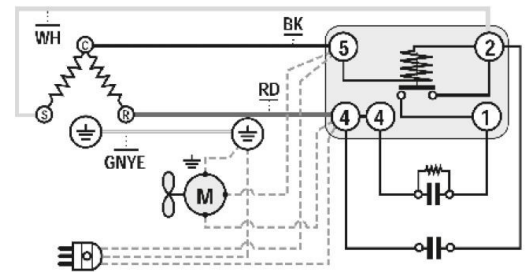
GENERAL DATA

Application:	LBP
Refrigerant:	R404A
Expansion Device:	C-V
Weight:	34.7 kg
Receiver:	2.3 liter
Voltage/Frequency:	220 - 240 V 50 ~
Height:	34.7 mm
Length:	494 mm
Width:	395 mm
Institute Approvals:	CE

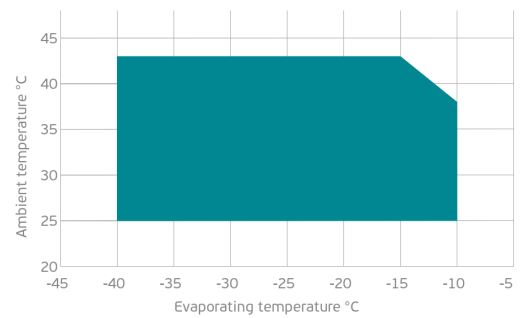
EXTERNAL DIMENSIONS



WIRING DIAGRAM



OPERATING ENVELOPE



COMPONENTS (SPARE PARTS)

compressor:	NT2212GK	925DA08..AC
fankit:	34W 275/31/5B	1996583
valve_suca:	SOLDER 1/2"	2110050
cover:	DOG HOUSE	1957003

compressor:	NT2212GK	925DA08..AC
fankit:	34W 275/31/5B	1996583
valve_suca:	SOLDER 1/2"	2110050
cover:	DOG HOUSE	1957003

For additional accessories please contact our technical support

ELECTRICAL DATA

Motor Type: CSR -
Locked Rotor Amperage (LRA): 33 A
Max.Current: 8.7 A

At maximum evaporating temperature and maximum ambient temperature.

FAN MOTOR

Number: 1 -
Shaft Power: 34 W
Air Flow: 800 m³/h
Blade Diameter: 275 mm

PERFORMANCE CURVE DATA

Standard: EN13215-RG20 / return gas 20°C, subcooling 3K

50 Hz

	Evaporating Temperature (°C)	Cooling Capacity (W)	Power Consumption (W)	Current Consumption (A)	Efficiency (W/W)
25 °C Ambient Temperature	-10°C	2 297	1 388	6.96	1.66
	-15°C	1 978	1 229	6.29	1.61
	-20°C	1 672	1 090	5.65	1.53
	-25°C	1 386	965	5.08	1.44
	-30°C	1 128	851	4.58	1.33
	Rated point -35°C	906	743	4.16	1.22
	-40°C	728	636	3.84	1.15
32 °C Ambient Temperature	-10°C	2 085	1 432	7.18	1.46
	-15°C	1 801	1 266	6.48	1.42
	-20°C	1 525	1 122	5.82	1.36
	-25°C	1 264	993	5.23	1.27
	-30°C	1 027	877	4.72	1.17
	Rated point -35°C	821	767	4.29	1.07
	-40°C	654	661	3.97	0.99
43 °C Ambient Temperature	-15°C	1 516	1 335	6.69	1.14
	-20°C	1 283	1 173	5.98	1.09
	-25°C	1 057	1 029	5.35	1.03
	-30°C	848	900	4.80	0.94
	Rated point -35°C	662	780	4.35	0.85
	-40°C	509	665	4.01	0.76