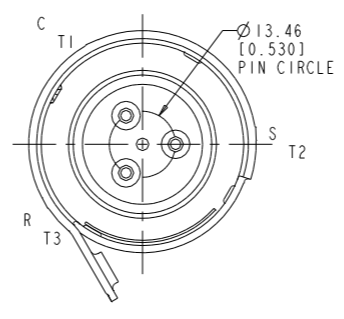
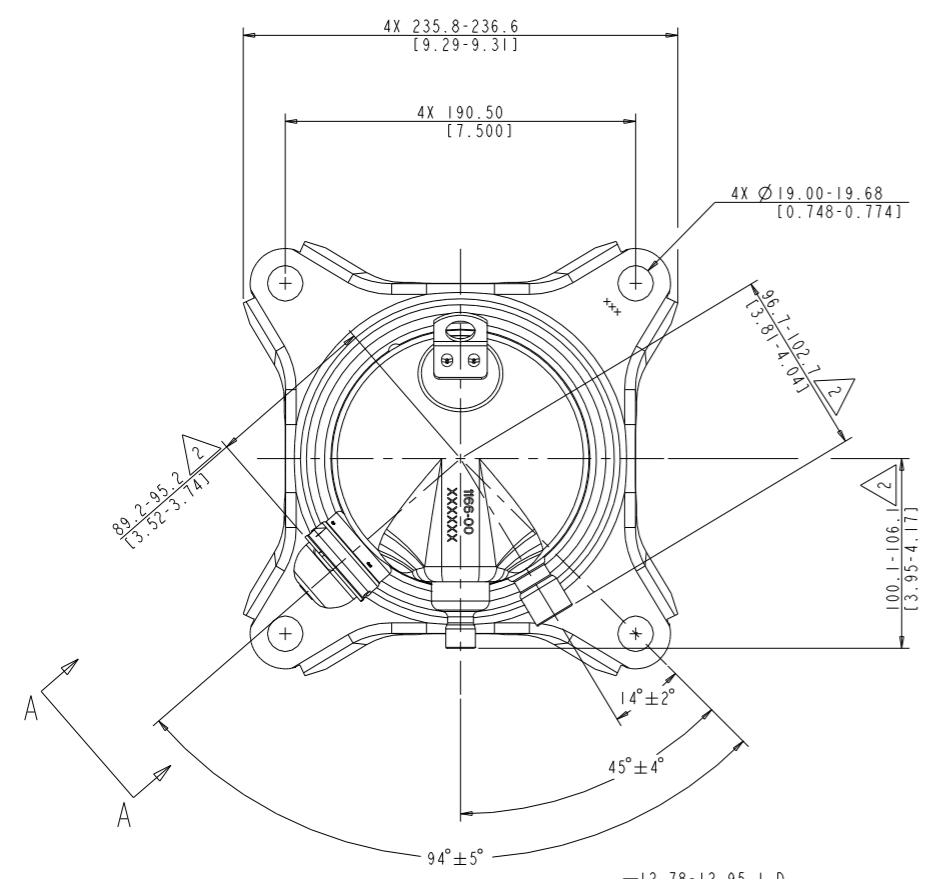


MODEL NUMBER

ZP24/29K5E-TFM

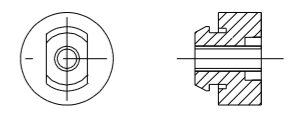
SPECIFICATIONS	
ES NO.	DESCRIPTION
ES92-155	CONVERSION-METRIC



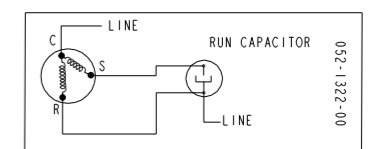
VIEW A-A
SCALE 2:1

- NOTES:
- 1 ALL TOLERANCES ± 1.50 [0.060] UNLESS OTHERWISE SPECIFIED.
 - 2 THE SUCTION TUBE, DISCHARGE TUBE, AND CIRCLE FENCE RADIAL DIMENSIONS ARE TO BE GAUGED FROM THE CENTER OF THE MOUNTING HOLE PATTERN.
 3. TUBE ENDS MUST BE PLUGGED.
 4. MOUNTING KIT:

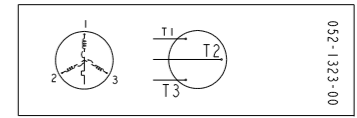
GROMMET DUROMETER	4 FOOT KIT
30-35	527-0044-12



COMPRESSOR WIRING DIAGRAM
SINGLE PHASE MOTOR WITH
INTERNAL PROTECTION

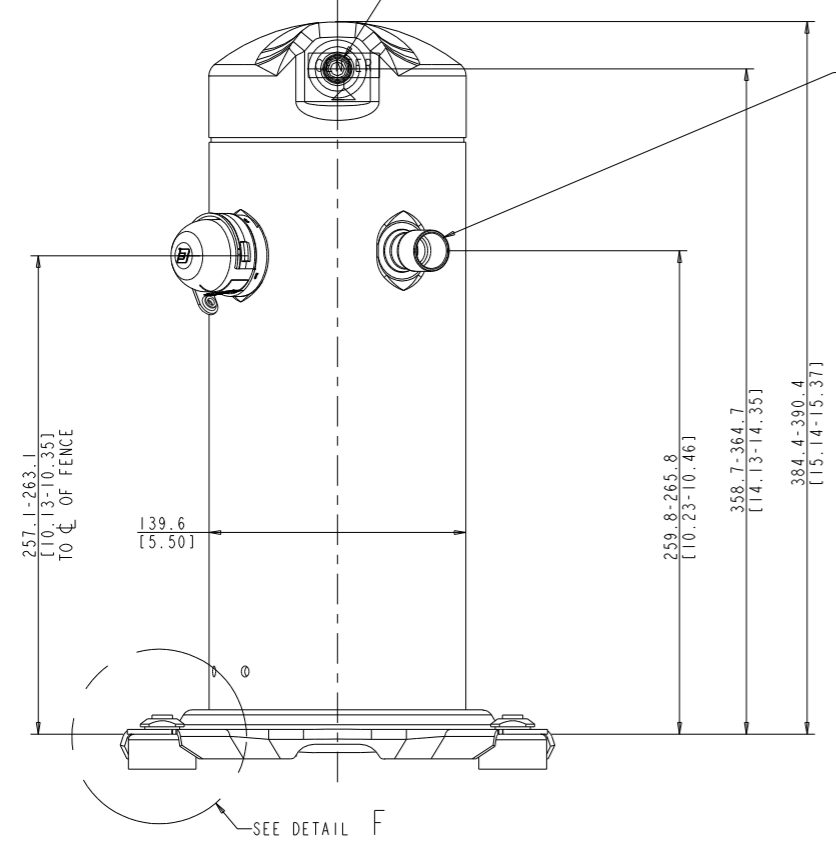


COMPRESSOR WIRING DIAGRAM
THREE PHASE MOTOR WITH
INTERNAL PROTECTION

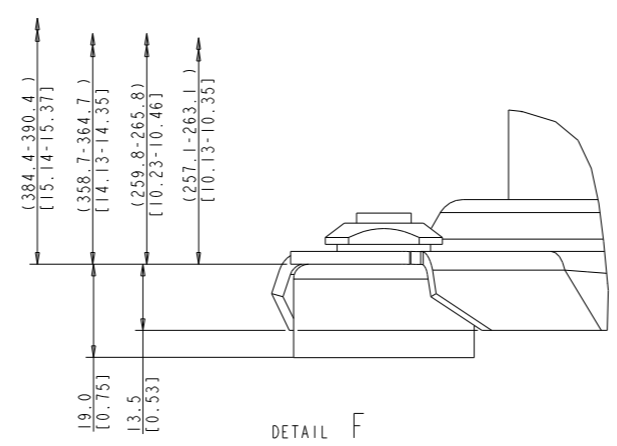


12.78-12.95 I.D.
[0.51-0.50]
▽ 10.10 [0.398] MIN, 0.038 [0.0015] MIN THICK EXTERIOR AND 0.038 [0.0015] MIN THICK INTERIOR COPPER PLATED STEEL DISCHARGE FITTING.

19.12-19.30 I.D.
[0.76-0.75]
▽ 16.00 [0.630] MIN, 0.038 [0.0015] MIN THICK EXTERIOR AND 0.038 [0.0015] MIN THICK INTERIOR COPPER PLATED STEEL SUCTION FITTING.

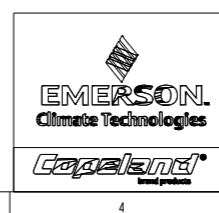


SEE DETAIL F



DETAIL F
SCALE 2:1

OBSOLETE



INTERPRET PER ASME Y14.5M-1994 AND EMERSON CLIMATE TECHNOLOGIES, INC. DESIGN STANDARDS DS2002. DO NOT SCALE DRAWING. THIRD ANGLE PROJECTION.

UNLESS OTHERWISE SPECIFIED DIMENSIONS ARE MILLIMETER OR (INCH) TOLERANCES:
1-PLACE \pm N/A
2-PLACE \pm N/A
ANGULAR \pm N/A

ENG NOTICE NO.	REV. NO.	REVISIONS	DATE	BY	CHKD	APPR
32-0806-053	1	OBSOLETE	03-28-08	MPK	EC	KJR
32-0806-053	0	RELEASED	08-21-06	TDS	EC	RST

CONFIDENTIALITY NOTICE
THIS DRAWING AND INFORMATION CONTAINED HEREIN ARE THE EXCLUSIVE PROPERTY OF EMERSON CLIMATE TECHNOLOGIES, INC. AND SHALL BE RETURNED UPON DEMAND AND SHALL NOT BE REPRODUCED IN WHOLE OR IN PART, DISCLOSED TO ANYONE ELSE OR USED, WITHOUT THE WRITTEN CONSENT OF EMERSON CLIMATE TECHNOLOGIES, INC.

MATERIAL SPECIFICATION: N/A
DRAWN BY: TDS
DATE: 08-21-06
SCALE: 3:4
DATE FORMAT: MM-DD-YY

TITLE: REF DWG-WELD COMP ASSM
DRAWING NUMBER: 497-0565-00
SHEET 1 OF 1
5/17

UNCONTROLLED - DO NOT MODIFY

COPYRIGHT EMERSON CLIMATE TECHNOLOGIES, INC. - CONFIDENTIAL