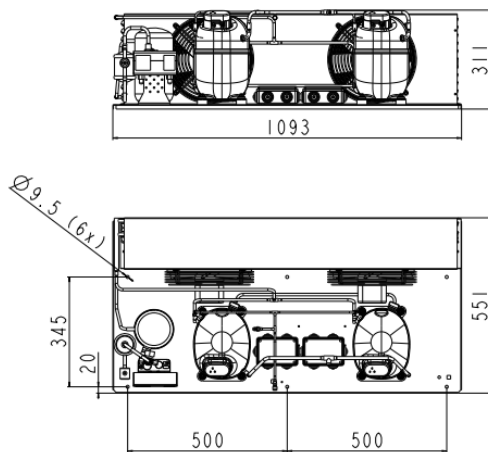


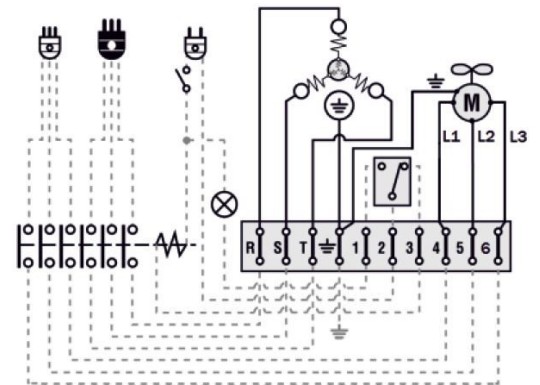
GENERAL DATA

Application:	M/HBP
Refrigerant:	R134a
Expansion Device:	C-V
Weight:	84 kg
Receiver:	2.3 liter
Voltage/Frequency:	380 - 420 V 50 ~
Height:	84 mm
Length:	551 mm
Width:	1093 mm
Institute Approvals:	CE

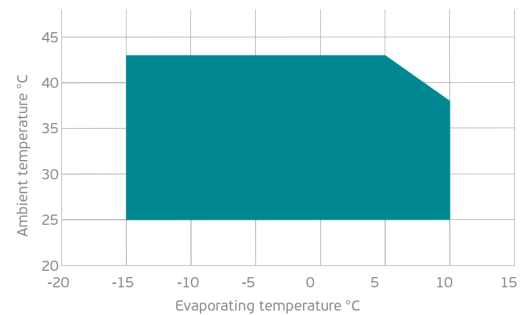
EXTERNAL DIMENSIONS



WIRING DIAGRAM



OPERATING ENVELOPE



COMPONENTS (SPARE PARTS)

valve_disch:	SOLDER 3/8"	2110049
sightglass:	SIGHT GLASS 10MM ODF	2464040
dualpressostat:	PS2 - A7K	2466035
compressor:	NJ6226ZX	148IM95..AC

valve_disch:	SOLDER 3/8"	2110049
sightglass:	SIGHT GLASS 10MM ODF	2464040
dualpressostat:	PS2 - A7K	2466035
compressor:	NJ6226ZX	148IM95..AC

For additional accessories please contact our technical support

ELECTRICAL DATA

Motor Type: 3PH -
Locked Rotor Amperage (LRA): 26 A
Max.Current: 4.51 A

At maximum evaporating temperature and maximum ambient temperature.

FAN MOTOR

Number: 2 -
Shaft Power: 2 W
Air Flow: 3020 m³/h
Blade Diameter: - mm

PERFORMANCE CURVE DATA

Standard: EN13215-RG20 / return gas 20°C, subcooling 3K

50 Hz

	Evaporating Temperature (°C)	Cooling Capacity (W)	Power Consumption (W)	Current Consumption (A)	Efficiency (W/W)
25 °C Ambient Temperature	10°C	6 731	2 627	6.88	2.56
	5°C	6 003	2 342	6.46	2.56
	0°C	5 224	2 087	6.11	2.50
	-5°C	4 456	1 859	5.83	2.40
	Rated point -10°C	3 763	1 654	5.61	2.27
	-15°C	3 207	1 469	5.44	2.18
32 °C Ambient Temperature	10°C	6 115	2 710	7.10	2.26
	5°C	5 464	2 413	6.66	2.26
	0°C	4 756	2 148	6.29	2.21
	-5°C	4 053	1 913	6.00	2.12
	Rated point -10°C	3 418	1 704	5.78	2.01
	-15°C	2 914	1 517	5.61	1.92
43 °C Ambient Temperature	5°C	4 635	2 573	7.10	1.80
	0°C	3 999	2 284	6.69	1.75
	-5°C	3 358	2 029	6.37	1.65
	Rated point -10°C	2 775	1 805	6.12	1.54
	-15°C	2 313	1 607	5.95	1.44