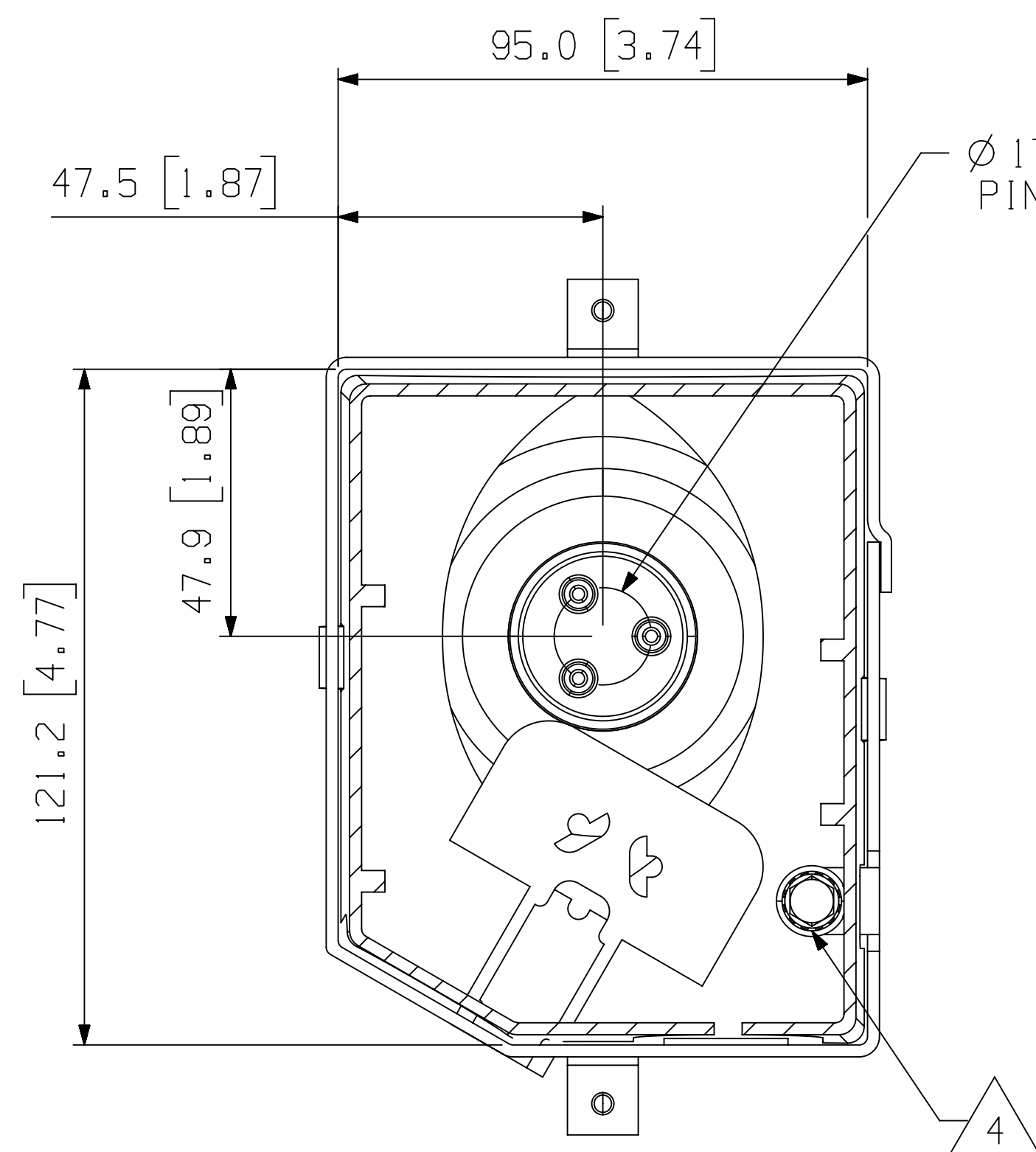
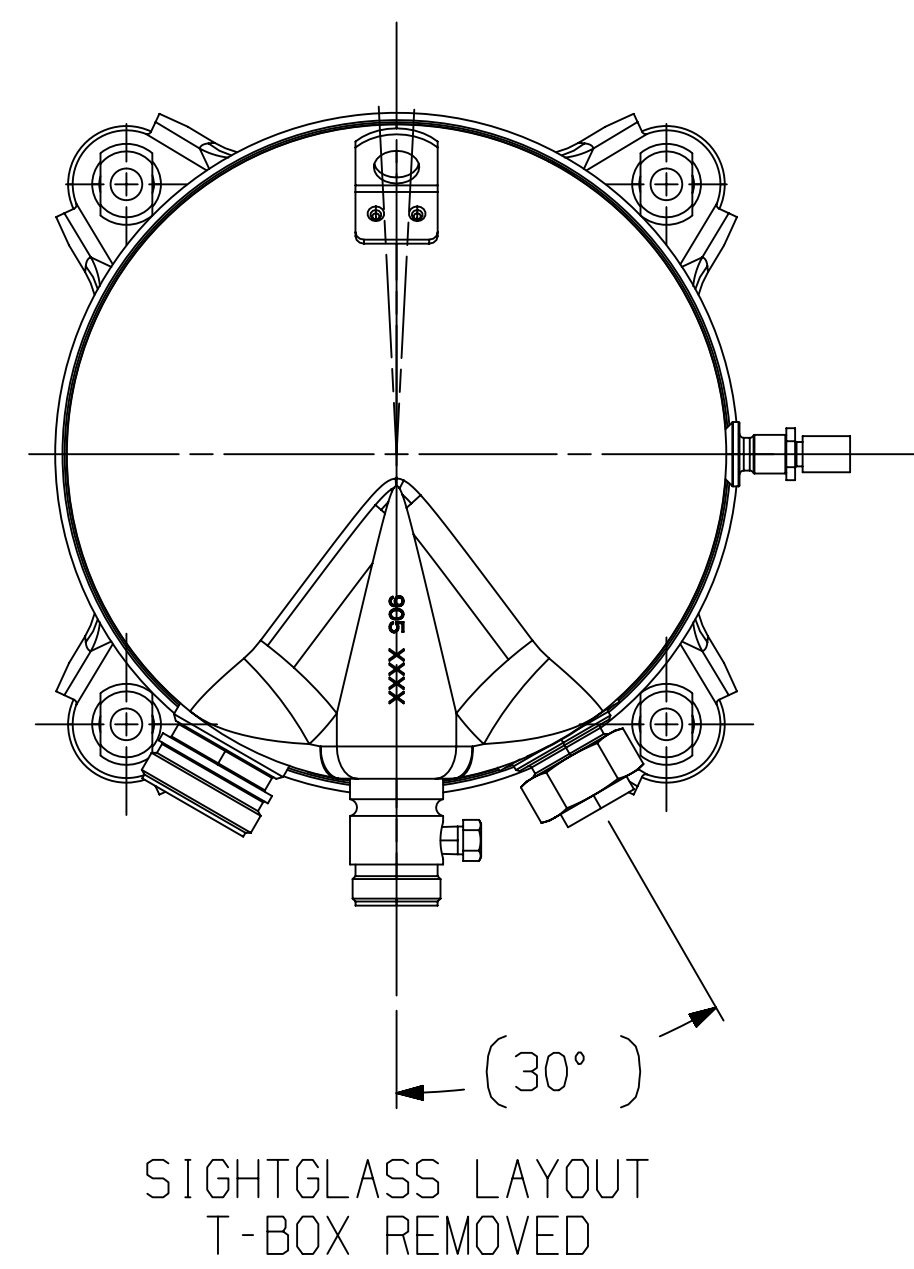
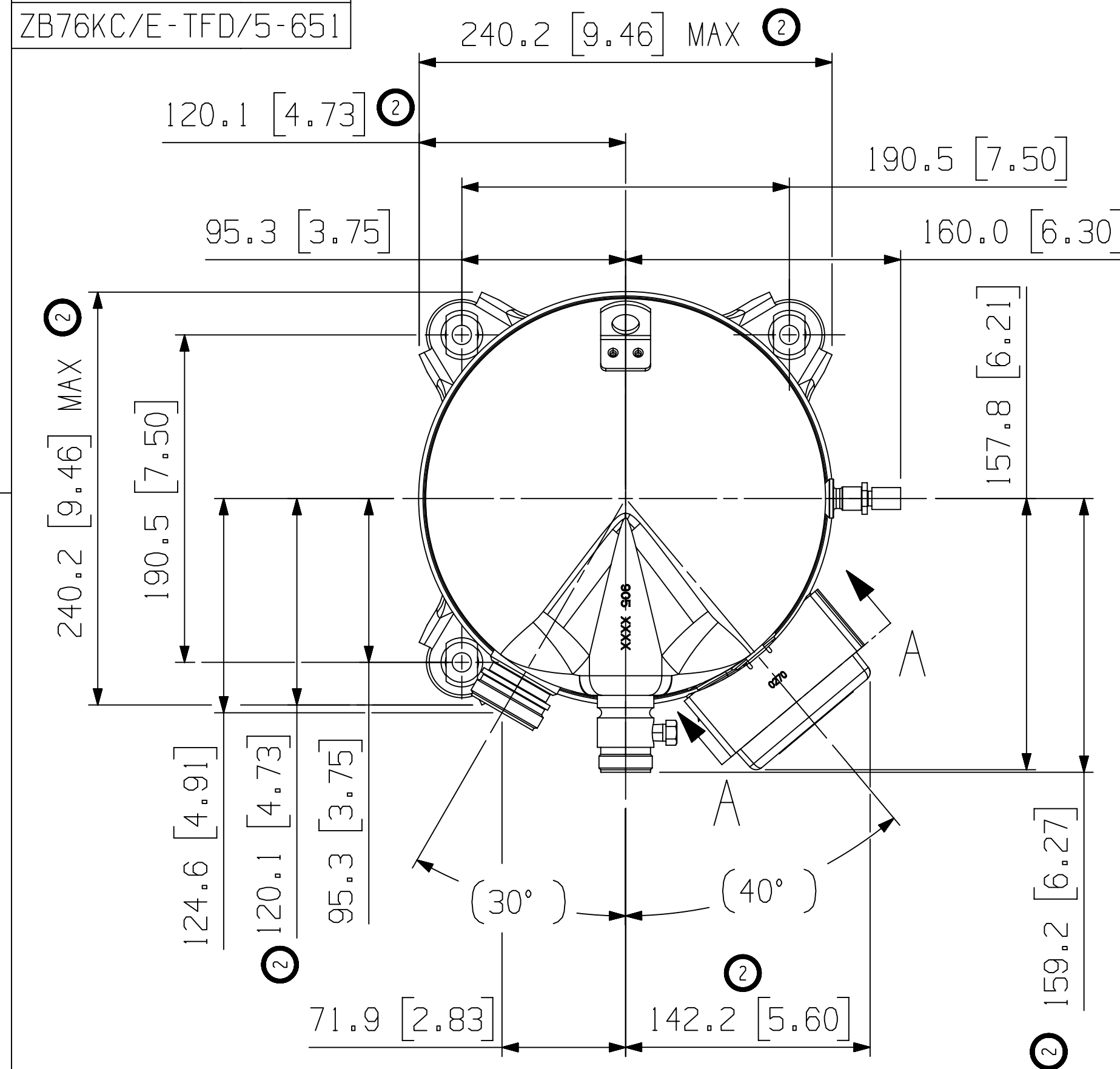


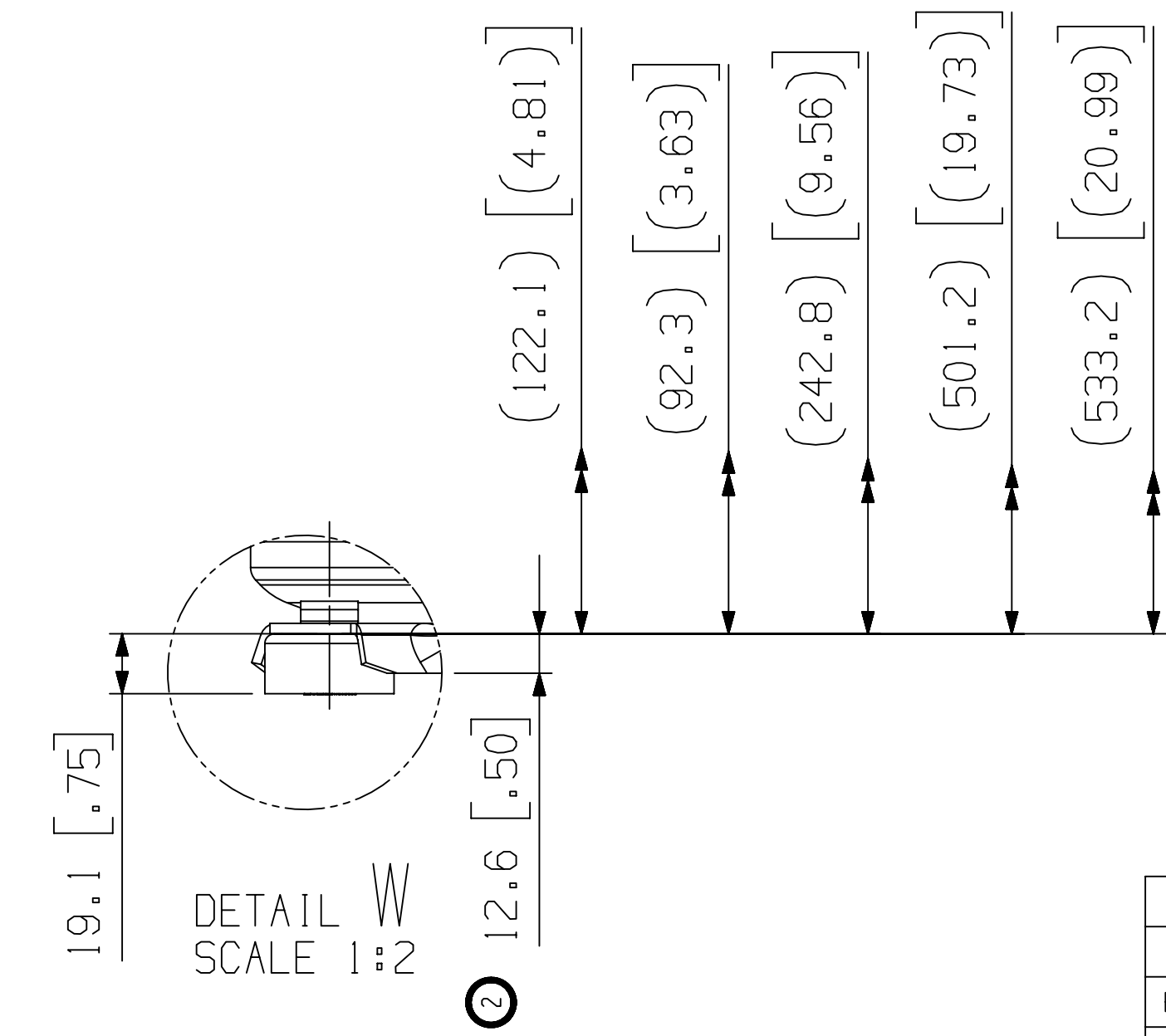
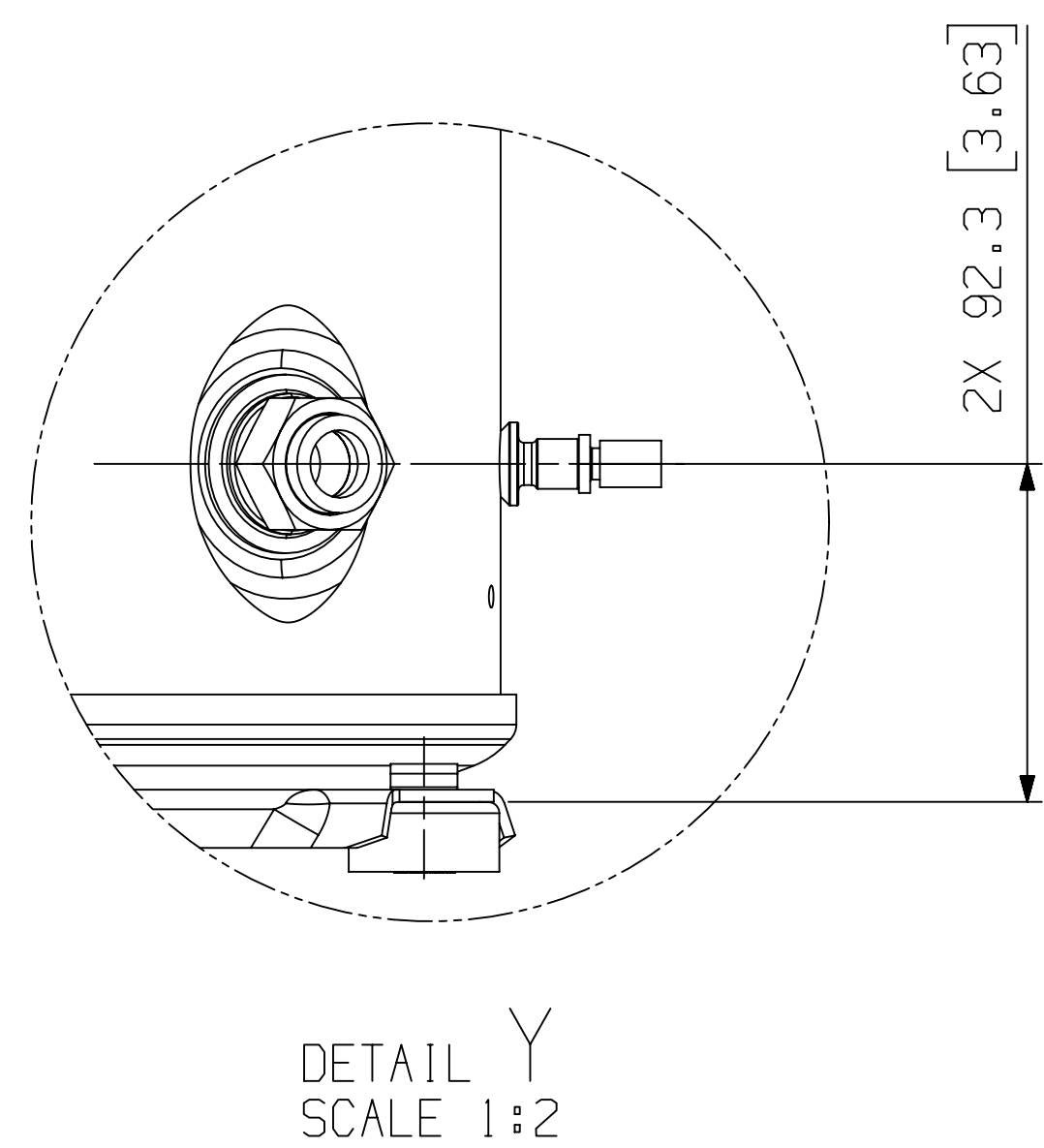
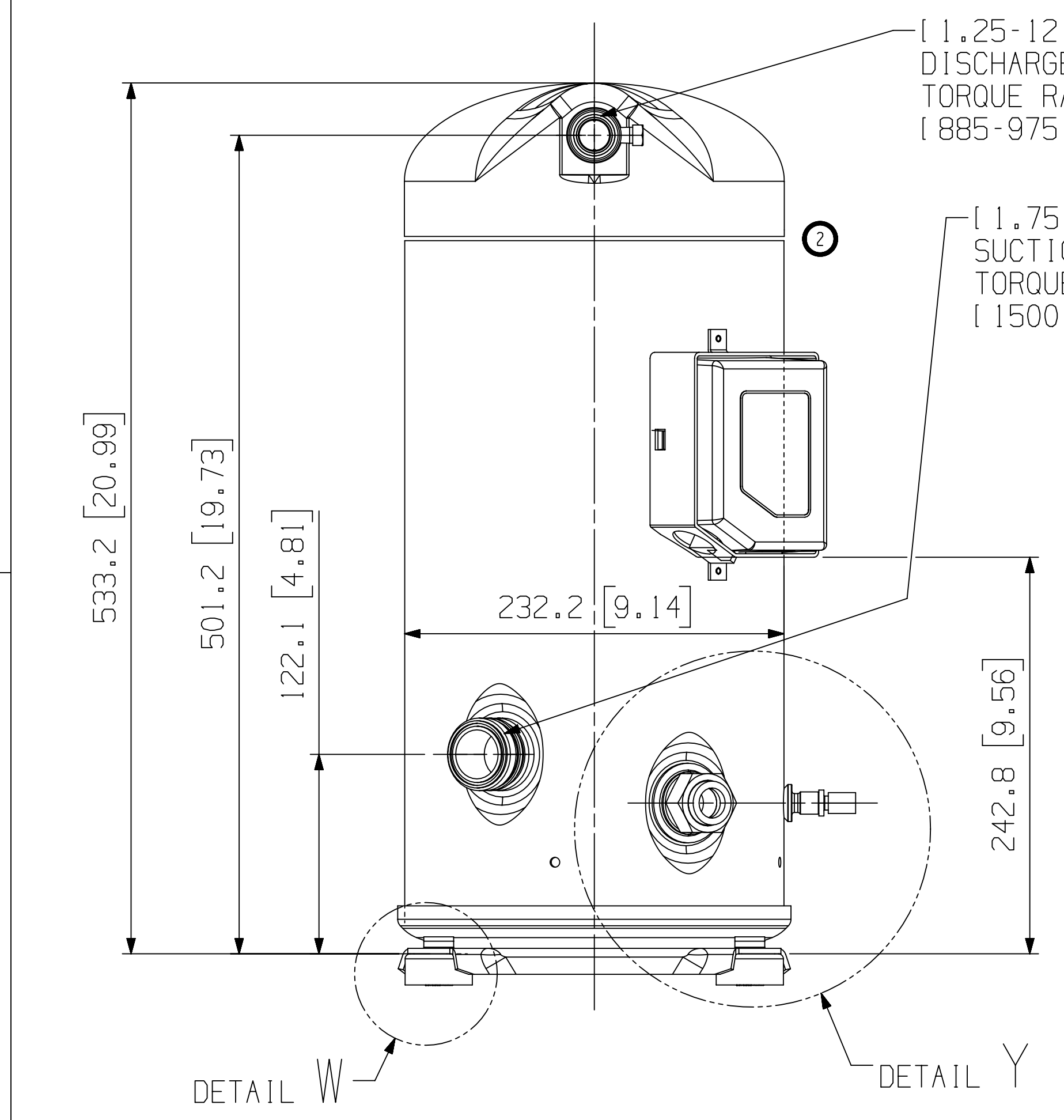
MODEL NUMBER
 ZB66KC/E-TFD/5-651
 ZB76KC/E-TFD/5-651

| SPECIFICATIONS | |
|----------------|-------------------|
| ES NO. | DESCRIPTION |
| ES92-155 | CONVERSION-METRIC |



- NOTES:
- 1 ALL TOLERANCES $\pm 1.5 [0.06]$ UNLESS OTHERWISE SPECIFIED. DUE TO ACCUMULATED ASSEMBLY TOLERANCES THE LISTED COMPONENTS MAY VARY FROM THE MOUNTING HOLES AS TABULATED.
 - ◆ SUCTION FITTING $\pm 3.0 [0.12]$
 - ◆ DISCHARGE FITTING $\pm 3.0 [0.12]$
 - 2. MOUNTING KIT: 527-0116-00
 - 3. TUBE ENDS MUST BE PLUGGED.
 - 4 GROUNDING SCREW AND WASHER PER BOM.

SECTION A - A
SCALE 1:1



COMPRESSOR WIRING DIAGRAM
 THREE PHASE MOTOR WITH
 INTERNAL PROTECTION

USE COPPER CONDUCTORS ONLY. USE THIS EQUIPMENT ON A GROUNDED SYSTEM ONLY. USE MINIMUM 75° C WIRE FOR AMPACITY. DETERMINATION. INTERNAL MOTOR PROTECTION-ALLOW TIME FOR RESET. PRIMARY SINGLE PHASE FAILURE PROTECTION IS PROVIDED. CRANKCASE HEATER, WHEN APPLIED, MUST BE CONNECTED ONLY TO ITS RATED VOLTAGE. OVERCURRENT PROTECTION DEVICE RATING AND TYPE MUST BE IN ACCORDANCE WITH REGULATORY AGENCY END PRODUCT APPROVALS - SEE SYSTEM NAMEPLATE. TO CORRECT IMPROPER MOTOR ROTATION, SWITCH ANY TWO SUPPLY LINES.

MOTOR WINDING CONNECTION

EMERSON
Climate Technologies

Copeland
brand products

INTERPRET PER ASME Y14.5M-1994 AND EMERSON CLIMATE TECHNOLOGIES, INC. DESIGN STANDARDS DS2002

DO NOT SCALE DRAWING

THIRD ANGLE PROJECTION

UNLESS OTHERWISE SPECIFIED DIMENSIONS ARE MILLIMETER OR (1 INCH)

TOLERANCES:
 1-PLACE \pm
 2-PLACE \pm
 ANGULAR \pm

| ENG NOTICE NO. | REV.NO. | REVISIONS | DATE | BY | CHKD | APPR |
|----------------|---------|----------------------|----------|------|------|------|
| ECN200426 | 2 | REDRAWN WITH CHANGES | 04-29-16 | SVR | JSK | |
| ECN001756 | 0 | RELEASED | 02-10-10 | A.C. | V.C. | V.C. |

CONFIDENTIALITY NOTICE

15 THIS DRAWING AND INFORMATION CONTAINED HEREIN ARE THE EXCLUSIVE PROPERTY OF EMERSON CLIMATE TECHNOLOGIES, INC. AND SHALL BE RETURNED UPON DEMAND AND SHALL NOT BE REPRODUCED IN WHOLE OR IN PART DISCLOSED TO ANYONE ELSE OR USED, WITHOUT THE WRITTEN CONSENT OF EMERSON CLIMATE TECHNOLOGIES, INC.

| | | |
|------------------------|----------------|--------------------------------|
| MATERIAL SPECIFICATION | DRAWN BY | SUPERSEDES DWG. NO. / REV. NO. |
| N/A | SVR | 497-0936-00/001 |
| | DATE | SCALE |
| | 04-29-16 | 3:8 |
| TITLE | DRAWING NUMBER | DATE FORMAT: MM-DD-YY |
| REF DWG-WELD COMP ASSM | 497-0936-00 | MM-DD-YY |
| | | SHEET 1 OF 1 |
| | | DWG SIZE |
| | | 4 |