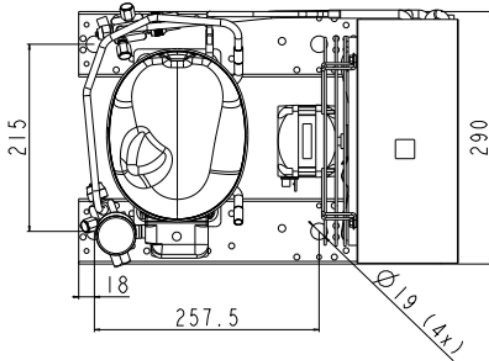
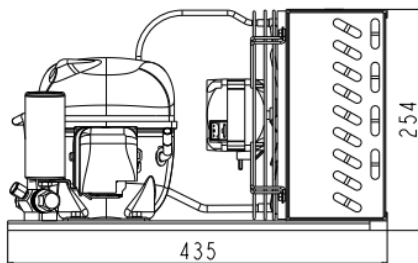


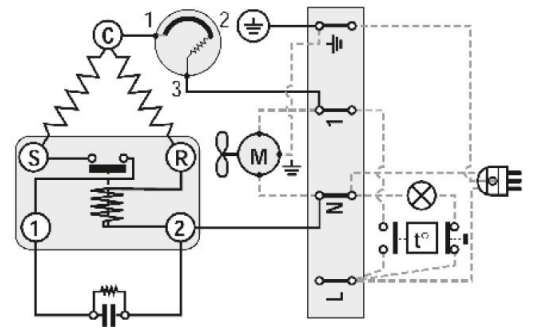
GENERAL DATA

Application:	M/HBP
Refrigerant:	R134a
Expansion Device:	C-V
Weight:	17.8 kg
Receiver:	0 liter
Voltage/Frequency:	220 - 240 V 50 ~
Height:	17.8 mm
Length:	435 mm
Width:	290 mm
Institute Approvals:	CE

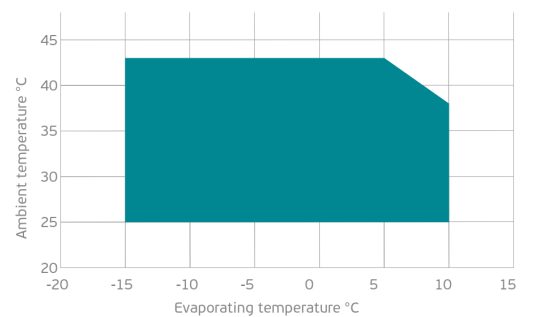
EXTERNAL DIMENSIONS



WIRING DIAGRAM



OPERATING ENVELOPE



COMPONENTS (SPARE PARTS)

valve_suca:	FLARE 3/8"	2110024
condenser:	3R9T	2451205
compressor:	NEK6170Z	267DA71..AN

valve_disch:	FLARE 1/4"	2110025
fankit:	10W 230/31/5B	1996580
elkit:	ELKOM NEK6170Z	267DA51N1A

For additional accessories please contact our technical support

ELECTRICAL DATA

Motor Type: CSIR -
Locked Rotor Amperage (LRA): 12.4 A
Max.Current: 2.35 A

At maximum evaporating temperature and maximum ambient temperature.

FAN MOTOR

Number: 1 -
Shaft Power: 10 W
Air Flow: 420 m³/h
Blade Diameter: 230 mm

PERFORMANCE CURVE DATA

Standard: EN13215-RG20 / return gas 20°C, subcooling 3K

50 Hz

	Evaporating Temperature (°C)	Cooling Capacity (W)	Power Consumption (W)	Current Consumption (A)	Efficiency (W/W)
25 °C Ambient Temperature	10°C	948	354	2.24	2.68
	5°C	809	325	2.14	2.48
	0°C	681	299	2.06	2.28
	-5°C	565	274	1.98	2.06
	Rated point -10°C	461	251	1.92	1.84
	-15°C	370	230	1.87	1.61
32 °C Ambient Temperature	10°C	862	365	2.31	2.36
	5°C	735	335	2.21	2.19
	0°C	619	308	2.12	2.01
	-5°C	513	282	2.04	1.82
	Rated point -10°C	419	259	1.98	1.62
	-15°C	336	238	1.92	1.42
43 °C Ambient Temperature	5°C	605	368	2.31	1.65
	0°C	505	334	2.20	1.51
	-5°C	415	303	2.10	1.37
	Rated point -10°C	334	275	2.01	1.22
	-15°C	264	249	1.94	1.06