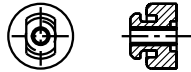


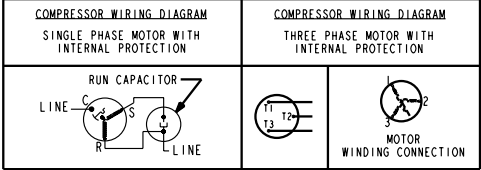
12	11	10	9	8	7	6	5	4	3	2	1
PART NO.	MODEL NUMBER	A ± 3.0	B ± 3.0	C ± 3.0	D	DISCHARGE FITTING	SPECIFICATIONS				
							ES NO.	DESCRIPTION	ES92-155 CONVERSION-METRIC		
497-0875-00	ZB30/38/45KO(E)-***-524	437.7 [17.23]	409.6 [16.13]	OMIT	124.7 [4.91]	E					
497-0875-01	ZB48KO(E)-***-524	443.4 [17.46]	413.7 [16.30]	OMIT	128.7 [5.07]	F					
497-0875-02	ZB30/38KO(E)-***-558	437.7 [17.23]	409.6 [16.13]	91.3 [3.59]	124.7 [4.91]	E					
497-0875-03	ZB30/38KO(E)-***-558 ZB45KO(E)-***-558	437.7 [17.23]	409.6 [16.13]	77.2 [3.04]	124.7 [4.91]	E					
497-0875-04	ZB48KO(E)-***-558	443.4 [17.46]	413.7 [16.30]	77.2 [3.04]	128.7 [5.07]	F					

- NOTES:
- 1. ALL TOLERANCES ±1.50 [0.060] UNLESS OTHERWISE SPECIFIED.
 - DUE TO ACCUMULATED ASSEMBLY TOLERANCES THE LISTED COMPONENTS MAY VARY FROM THE MOUNTING HOLES AS SHOWN BELOW:
 - 2. SUCTION FITTING : ±3.0 [0.12]
 - 3. DISCHARGE FITTING: ±3.0 [0.12]
 - 2. TUBE ENDS MUST BE PLUGGED.
 - 3. TORQUE T-BLOCK SCREWS TO 2.4-2.6 Nm [21-23 IN LBS].
 - 4. FOR MORE INFORMATION SEE PRODUCT CATALOG.
 - 5. FULL HEIGHT OF COMPRESSOR DOES NOT INCLUDE MOUNTING SPACERS.
 - 6. MOUNTING KIT:

GROMMET DUROMETER	4 FOOT KIT
35-45	527-0116-00



USE COPPER CONDUCTORS ONLY. USE MINIMUM 75° C WIRE FOR AMPACITY DETERMINATION. INTERNAL MOTOR PROTECTION - ALLOW TIME FOR RESET. OVERCURRENT PROTECTION DEVICE RATING AND TYPE MUST BE IN ACCORDANCE WITH REGULATORY AGENCY END PRODUCT APPROVALS - SEE SYSTEM NAMEPLATE. CRANKCASE HEATER, WHEN APPLIED, MUST BE CONNECTED ONLY TO ITS RATED VOLTAGE. TO CORRECT IMPROPER ROTATION OF THREE PHASE MODELS, SWITCH ANY TWO SUPPLY LINES. REFER TO THE APPLICABLE SYSTEM WIRING DIAGRAM.



ECN000148	2	ADDED CPC SYMBOL	07-27-11	FT	LJC	CA
ECN000218	1	CHANGE FROM 10 IN AL QUALITY 40 WHITE BINE BUSH	09-08-10	FT	LJC	SA
ECN001009	0	RELEASED -00 TO -04	06-15-09	FT	LJC	SA
ENG NOTICE NO.	REV. NO.	REVISIONS	DATE	BY	CHKD	APPD
0		CONFIDENTIALITY NOTICE				
THIS DRAWING AND INFORMATION CONTAINED HEREIN ARE THE EXCLUSIVE PROPERTY OF EMERSON CLIMATE TECHNOLOGIES, INC. AND SHALL BE RETURNED UPON DEMAND AND SHALL NOT BE REPRODUCED IN WHOLE OR IN PART, DISCLOSED TO ANYONE ELSE OR USED, WITHOUT THE WRITTEN CONSENT OF EMERSON CLIMATE TECHNOLOGIES, INC.						
DESIGNED BY		497-3543-00	REV. NO.	29		
DATE		06-11-09	SCALE	3:4	DATE FORMAT: MM-DD-YY	
TITLE		REF DWG - WELD COMP ASSM		DRAWING NUMBER: 497-0875-00		
SHEET 1 OF 2		UNCONTROLLED - DO NOT MODIFY				

EMERSON
Climate Technologies

Capacitor

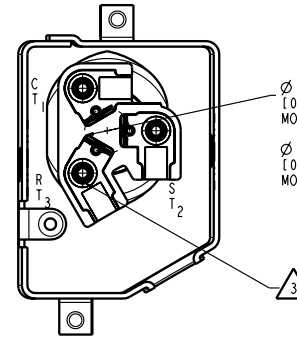
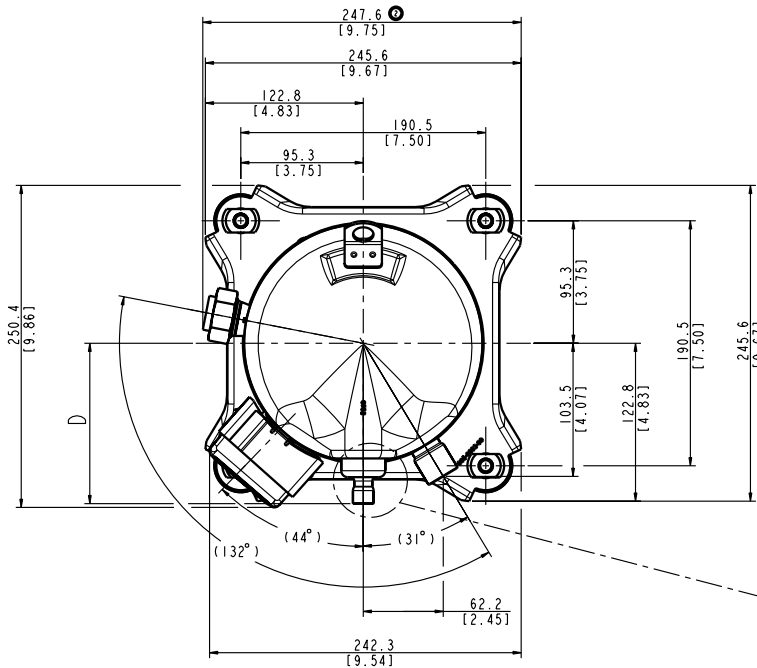
INTERPRET PER ASME Y14.2M-1994 AND EMERSON CLIMATE TECHNOLOGIES, INC. DESIGN STANDARDS 02002-02. THIS DRAWING IS FOR INTERNAL PRODUCTION ONLY.

CRITICAL PRODUCT CHARACTERISTIC

UNLESS OTHERWISE SPECIFIED TOLERANCES ARE MILLIMETER OR INCH:

F-PLACES *
H-ANGULAR *

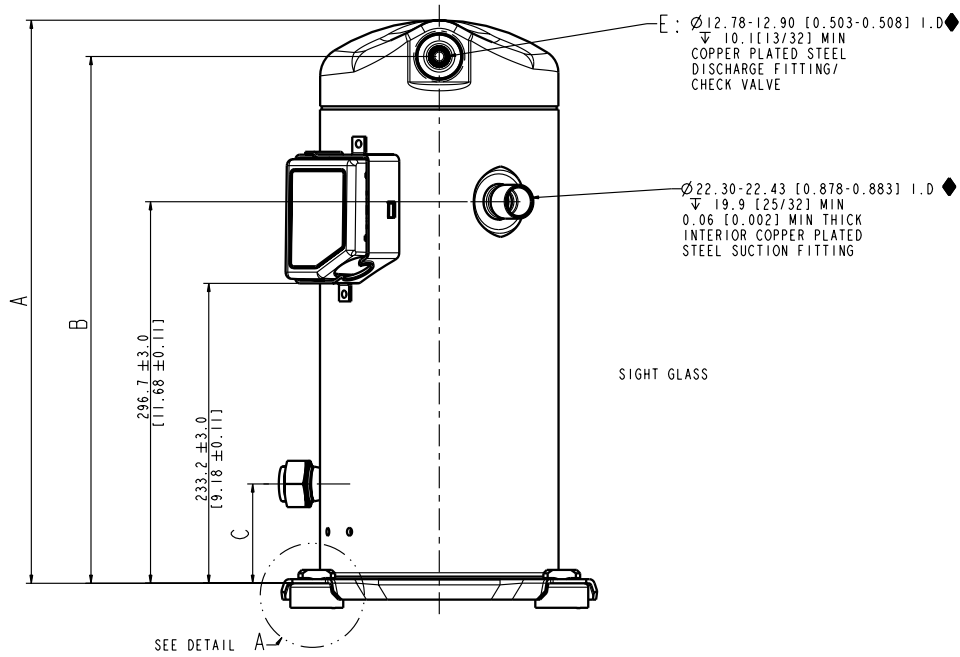
COPYRIGHT EMERSON CLIMATE TECHNOLOGIES, INC. - CONFIDENTIAL



Ø17.45 PIN CIRCLE
[0.687]
MODELS: TFD, TF7
Ø13.46 PIN CIRCLE
[0.530]
MODELS: PFJ, PFV, TF5

SCALE 3:2

F: Ø19.10-19.25 [0.75-0.76] I.D. ♦
▽ 16.9 [0.66] MIN
COPPER DISCHARGE FITTING/
STEEL CHECK VALVE

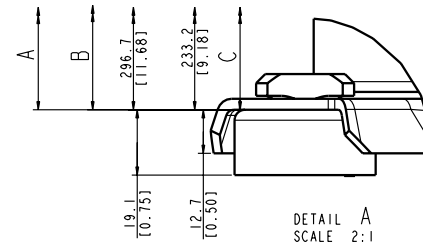


E: Ø12.78-12.90 [0.503-0.508] I.D. ♦
▽ 10.1 [13/32] MIN
COPPER PLATED STEEL
DISCHARGE FITTING/
CHECK VALVE

Ø22.30-22.43 [0.878-0.883] I.D. ♦
▽ 19.9 [25/32] MIN
0.06 [0.002] MIN THICK
INTERIOR COPPER PLATED
STEEL SUCTION FITTING

SIGHT GLASS

SEE DETAIL A



DETAIL A
SCALE 2:1



INTERPRET PER ASME
Y14.2M-1994 AND
EMERSON CLIMATE
TECHNOLOGIES, INC.
DESIGN STANDARDS DEPT-202-
NO. 01-01-01, 01-01-02
THIS DRAWING IS THE PROPERTY OF
EMERSON CLIMATE TECHNOLOGIES, INC.
UNLESS OTHERWISE SPECIFIED
DIMENSIONS ARE IN INCHES OR
MILLIMETERS
1-PLACE
2-PLACE
3-PLACE
ANGULAR

ECO#	REV#	DESCRIPTION	DATE	BY	APP#
EC000140	2	UPDATED SIGHT GLASS ASSEMBLY	07-27-11	FT	LJC CA
EC000208	1	SEE SHEET 1	09-08-10	FT	LJC SA
EC000809	0	RELEASED -00 TO -04	06-15-09	FT	LJC SA

ENG NOTICE NO.	REV. NO.	REVISIONS	DATE	BY	APP#
0					

CONFIDENTIALITY NOTICE					
THIS DRAWING AND INFORMATION CONTAINED HEREIN ARE THE EXCLUSIVE PROPERTY OF EMERSON CLIMATE TECHNOLOGIES, INC. AND SHALL BE RETURNED UPON DEMAND AND SHALL NOT BE REPRODUCED IN WHOLE OR IN PART, DISCLOSED TO ANYONE ELSE OR USED, WITHOUT THE WRITTEN CONSENT OF EMERSON CLIMATE TECHNOLOGIES, INC.					
DATE	SCALE	BY	SUPERSEDES DWG. NO. / REV. NO.	DATE	DATE FORMAT
06-11-09	3:4		497-3543-00 / 29	06-11-09	MM-DD-YY
TITLE		DRAWING NUMBER			
REF DWG-WELD COMP ASSM		SHEET 2 OF 2			
		497-0875-00			

UNCONTROLLED - DO NOT MODIFY

COPYRIGHT EMERSON CLIMATE TECHNOLOGIES, INC. - CONFIDENTIAL