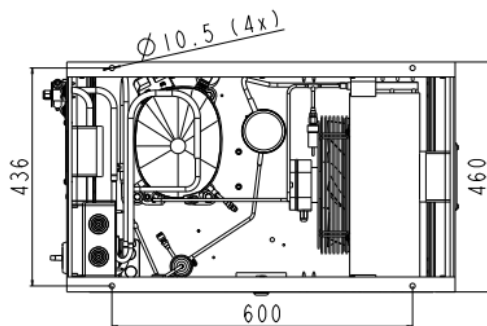
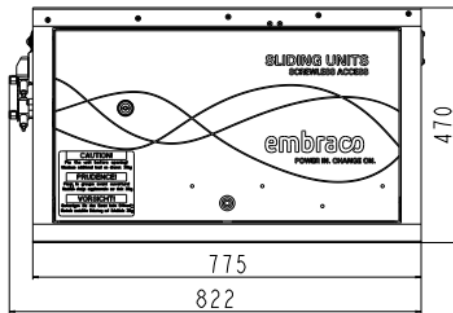


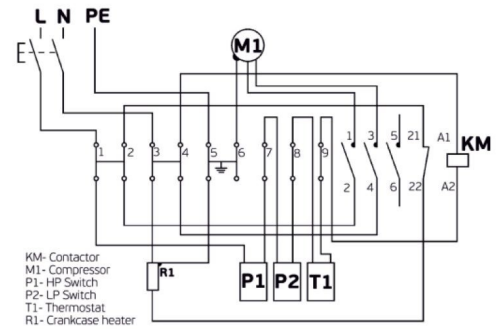
GENERAL DATA

Application:	M/HBP
Refrigerant:	R134a
Expansion Device:	C-V
Weight:	75.5 kg
Receiver:	1.1 liter
Voltage/Frequency:	220 - 240 V 50 ~
Height:	75.5 mm
Length:	822 mm
Width:	460 mm
Institute Approvals:	CE

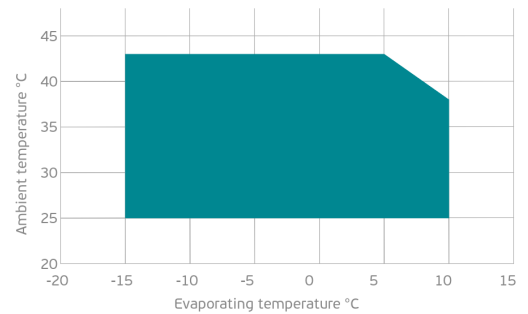
EXTERNAL DIMENSIONS



WIRING DIAGRAM



OPERATING ENVELOPE



COMPONENTS (SPARE PARTS)

dryer:	FILTER DRYER 6MM ODF	2730006
hpressostat:	P100CP-102D	2466033
condenser:	3R12T	2451226
heater:	CRANKCASE HEATER 230V/40W	2464205
valve_suca:	SOLDER 3/8"	2110119
elkit:	ELKOM NT6215Z	212AN0613A

sightglass:	SIGHT GLASS 6MM ODF	2464031
lpressostat:	PS1-A3K	2466036
fankit:	AXIAL FAN 230V/50HZ/1PH	1996726
flexihose:	FLEXI HOSE 10MM ODF	2464241
valve_disch:	SOLDER 1/4"	2110120
compressor:	NT6215Z	212AN04..AC

For additional accessories please contact our technical support

ELECTRICAL DATA

Motor Type: CSIR -
Locked Rotor Amperage (LRA): 21 A
Max.Current: 3.76 A

At maximum evaporating temperature and maximum ambient temperature.

FAN MOTOR

Number: 1 -
Shaft Power: - W
Air Flow: 840 m³/h
Blade Diameter: 250 mm

PERFORMANCE CURVE DATA

Standard: EN13215-RG20 / return gas 20°C, subcooling 3K

50 Hz

	Evaporating Temperature (°C)	Cooling Capacity (W)	Power Consumption (W)	Current Consumption (A)	Efficiency (W/W)
25 °C Ambient Temperature	10°C	1 816	704	4.06	2.58
	5°C	1 557	639	3.81	2.44
	0°C	1 318	577	3.58	2.29
	-5°C	1 100	519	3.38	2.12
	Rated point -10°C	902	465	3.20	1.94
	-15°C	723	415	3.05	1.74
32 °C Ambient Temperature	10°C	1 649	726	4.19	2.27
	5°C	1 416	658	3.92	2.15
	0°C	1 201	594	3.69	2.02
	-5°C	1 003	534	3.48	1.88
	Rated point -10°C	821	479	3.30	1.71
	-15°C	655	428	3.15	1.53
43 °C Ambient Temperature	5°C	1 192	715	4.13	1.67
	0°C	1 014	638	3.84	1.59
	-5°C	847	567	3.58	1.50
	Rated point -10°C	693	500	3.36	1.38
	-15°C	549	440	3.18	1.25