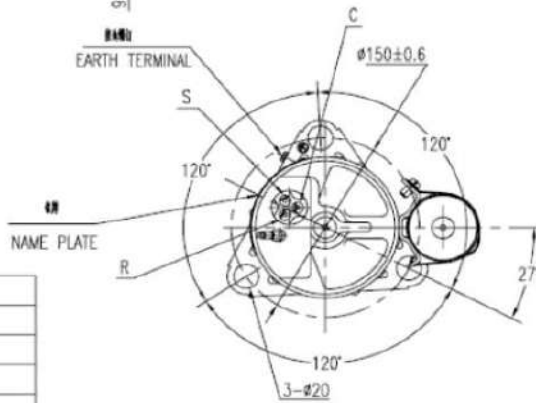
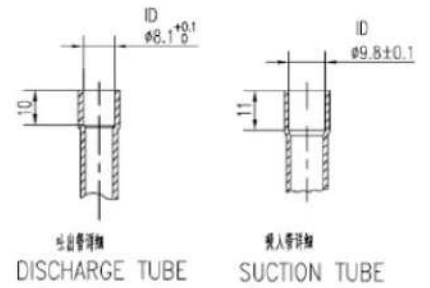
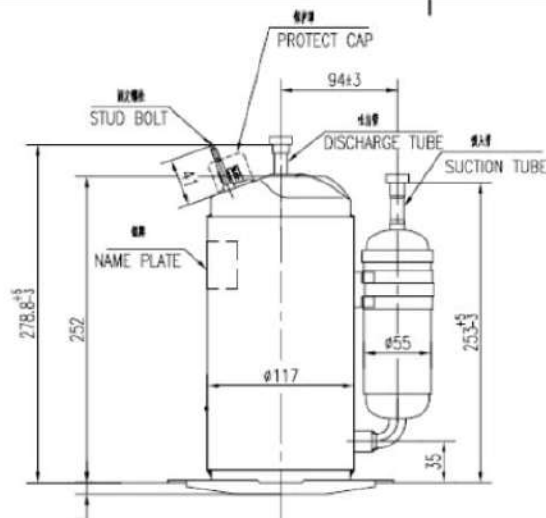


1K518805Gr
T/CN 09100902



①	PA103M1C-4DZDE2	09.04.12
	PA108M1C-4DZDE2	08.11.29

①	1	71J009058	09.04.12
NAME	NAME	REV. NO.	MODIFIED BY

RoHS

DESIGNED BY	TECHNOLOGY	DESIGNER	Gr	10
DRAWN BY	STANDARD	DRAW EXTER	DRAWING NO.	1K518805Gr
CHECKED BY	APPROVED BY	MATERIAL	TITLE	
AGREED BY	DATE	STAGE OF DRAWING	DRAW EXTER	
		1 9	广东美芝制冷设备有限公司	
		TOTAL PAGE	GUANGDONG MEIZHI COMPRESSOR LTD	