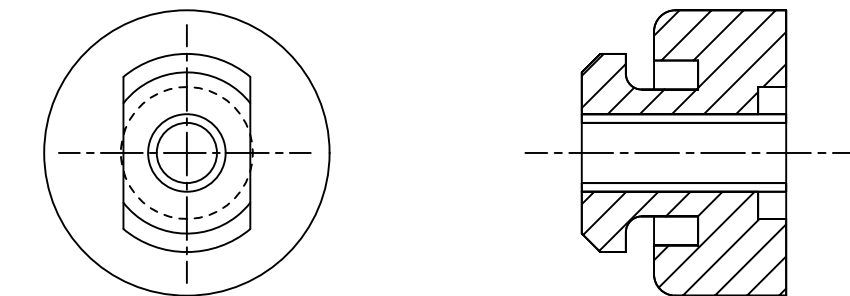


PART NUMBER	MODEL NUMBER	A ±3.0	B ±3.0	E	F	G	H	J	L ±3.0	V ±3.0	SHEETS
497-3543-00	ZF13K4* ZF15K4* ZF18K4*	442.0 [ 17.40 ]	409.6 [ 16.13 ]	79.5 [ 3.13 ]	340.9 [ 13.42 ]	47.5 [ 1.87 ]	25.6 [ 1.01 ]	120.2 [ 4.73 ]	469.8 [ 18.50 ]	OMIT	1,2,3
497-3543-01	ZS30K4* ZS38K4* ZS45K4*	437.7 [ 17.23 ]	409.6 [ 16.13 ]	79.5 [ 3.13 ]	OMIT △ 4	47.5 [ 1.87 ]	OMIT	OMIT	OMIT	OMIT	1,2
497-3543-02	ZB30KC / KCE ZB38KC / KCE ZB42KC / KCE ZB45KC / KCE	437.7 [ 17.23 ]	409.6 [ 16.13 ]	79.5 [ 3.13 ]	OMIT △ 4	47.5 [ 1.87 ]	OMIT	OMIT	OMIT	OMIT	1,2
497-3543-05	ZF13KVE ZF18KVE	442.0 [ 17.40 ]	409.6 [ 16.13 ]	79.5 [ 3.13 ]	340.9 [ 13.42 ]	47.5 [ 1.87 ]	25.6 [ 1.01 ]	123.1 [ 4.85 ]	OMIT	451.4 [ 17.77 ]	1,2,4
497-3543-07	ZF13KVE-***-524 ZF18KVE-***-524	442.0 [ 17.40 ]	409.6 [ 16.13 ]	OMIT	340.9 [ 13.42 ]	OMIT	25.6 [ 1.01 ]	120.2 [ 4.73 ]	469.8 [ 18.50 ]	OMIT	1,2,3
497-3543-08	ZS30K4E-***-426 ZS38K4E-***-426 ZS45K4E-***-426	437.7 [ 17.23 ]	409.6 [ 16.13 ]	79.5 [ 3.13 ]	OMIT △ 4	OMIT	OMIT	OMIT	OMIT	OMIT	1,2

SPECIFICATIONS	
ES NO.	DESCRIPTION
ES92-155	CONVERSION-METRIC

- NOTES:
- 1. ALL TOLERANCES ± 1.50 [ 0.060 ] UNLESS OTHERWISE SPECIFIED.
  - 2. TUBE ENDS MUST BE PLUGED.
  - 3. TORQUE T-BLOCK SCREWS TO 2.4-2.6 N-M [ 21-23 LBS-IN ]
  - 4. INJECTION FITTING & THERMOSTAT TUBE OMITTED.
  - 5. FOR MORE INFORMATION SEE PRODUCT CATALOG.
  - 6. FULL HEIGHT OF COMPRESSOR DOES NOT INCLUDE MOUNTING SPACERS.
  - 7. MOUNTING KIT:

GROMMET DUROMETER	4 FOOT KIT
35-45	527-0116-00



USE COPPER CONDUCTORS ONLY. USE MINIMUM 75° C WIRE FOR AMPACITY DETERMINATION. INTERNAL MOTOR PROTECTION - ALLOW TIME FOR RESET. OVERCURRENT PROTECTION DEVICE RATING AND TYPE MUST BE IN ACCORDANCE WITH REGULATORY AGENCY END PRODUCT APPROVALS - SEE SYSTEM NAMEPLATE. CRANKCASE HEATER, WHEN APPLIED, MUST BE CONNECTED ONLY TO ITS RATED VOLTAGE, TO CORRECT IMPROPER ROTATION OF THREE PHASE MODELS, SWITCH ANY TWO SUPPLY LINES. REFER TO THE APPLICABLE SYSTEM WIRING DIAGRAM.

005-1213-00  
8-06

COMPRESSOR WIRING DIAGRAM

ECN300410	38	UPDATED MODEL NUMBER FOR -01	08-31-17	SVR	PR1	BE
ECN300410	38	REDRAWN WITH CHANGES	06-28-17	JSK	PR1	BE
32-1198-023	0	RELEASED	01-11-99	AJA	DAN	

ENG NOTICE NO.	REV.NO.	REVISIONS	DATE	BY	CHKD	APPR
0		CONFIDENTIALITY NOTICE				
THIS DRAWING AND INFORMATION CONTAINED HEREIN ARE THE EXCLUSIVE PROPERTY OF EMERSON CLIMATE TECHNOLOGIES, INC. AND SHALL BE RETURNED UPON DEMAND AND SHALL NOT BE REPRODUCED IN WHOLE OR IN PART DISCLOSED TO ANYONE ELSE OR USED, WITHOUT THE WRITTEN CONSENT OF EMERSON CLIMATE TECHNOLOGIES, INC.						
MATERIAL SPECIFICATION			DRAWN BY		SUPERSEDES DWG. NO. / REV. NO.	
N/A			JSK		497-3543-00/37	
			DATE		SCALE	
			06-28-17		1:1	
TITLE			DRAWING NUMBER		SHEET 1 OF 4	
REF DWG-WELD COMP ASSM			497-3543-00		4	

EMERSON Climate Technologies

Copeland brand products

INTERPRET PER ASME Y14.5M-1994 AND EMERSON CLIMATE TECHNOLOGIES, INC. DESIGN STANDARDS DS2002

DO NOT SCALE DRAWING

THIRD ANGLE PROJECTION

CRITICAL PRODUCT CHARACTERISTICS

UNLESS OTHERWISE SPECIFIED DIMENSIONS ARE MILLIMETER OR (1 INCH)

TOLERANCES:  
1-PLACE ±  
2-PLACE ±  
ANGULAR ±

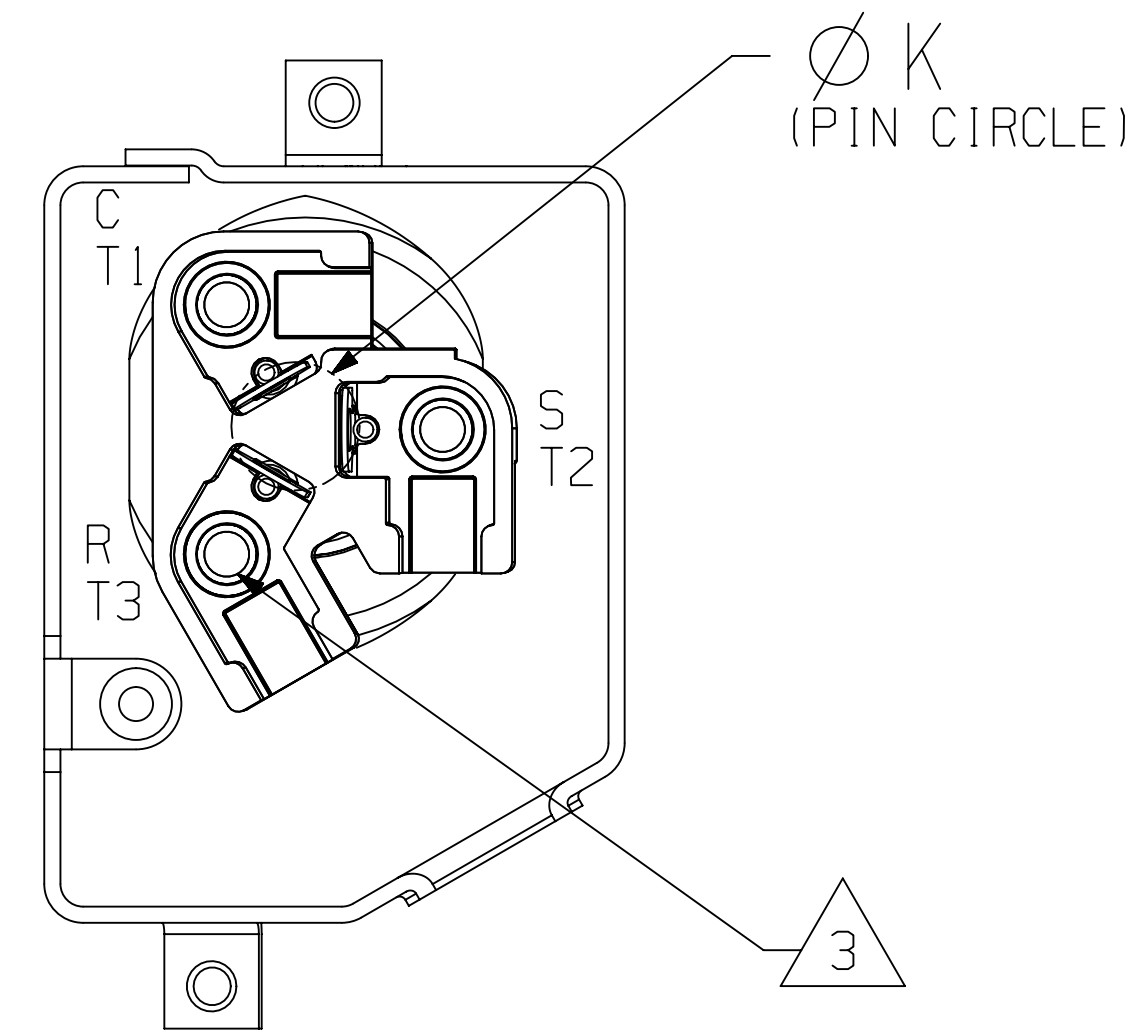
1

A B C D

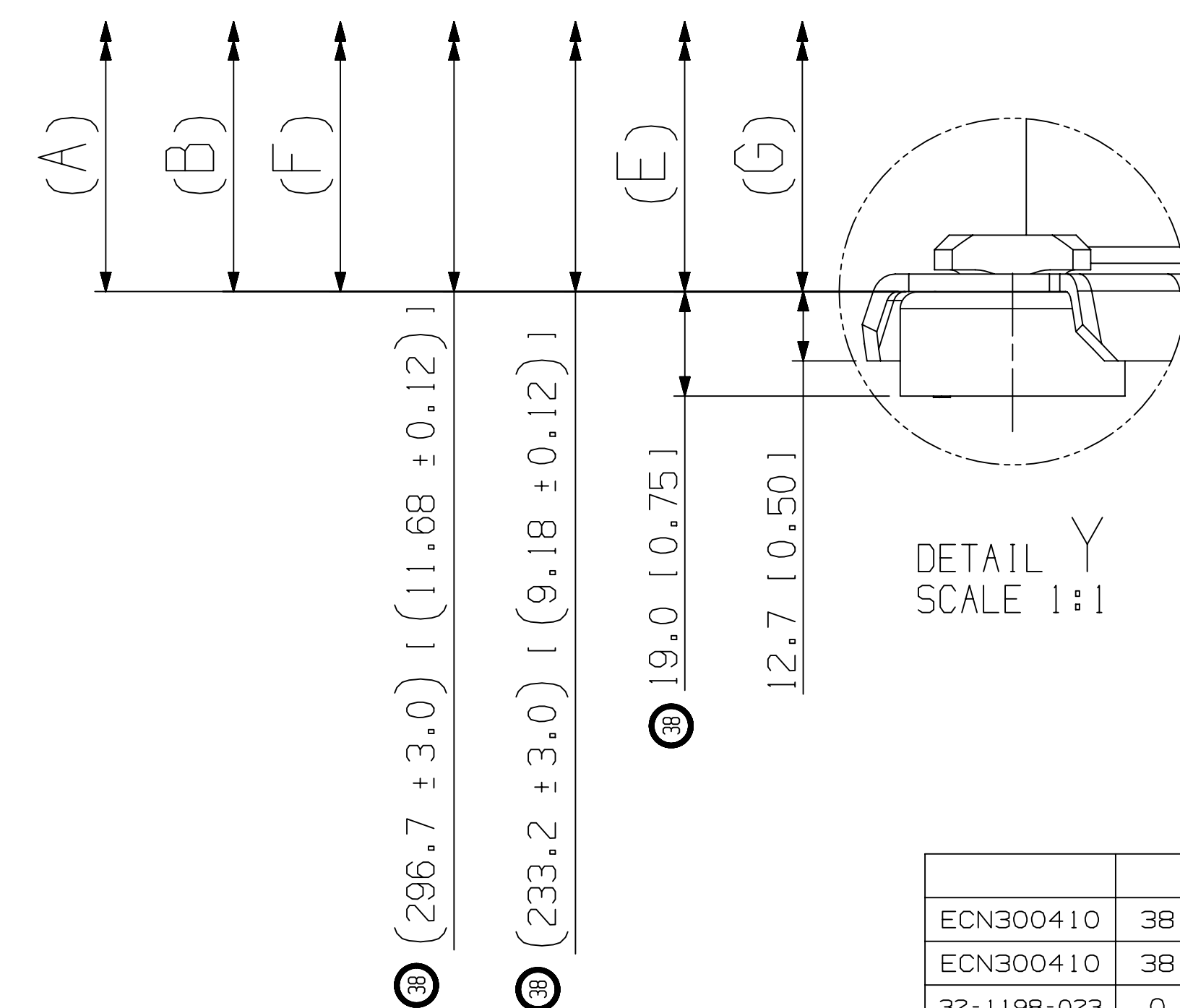
A B C D

© COPYRIGHT EMERSON CLIMATE TECHNOLOGIES, INC. - CONFIDENTIAL

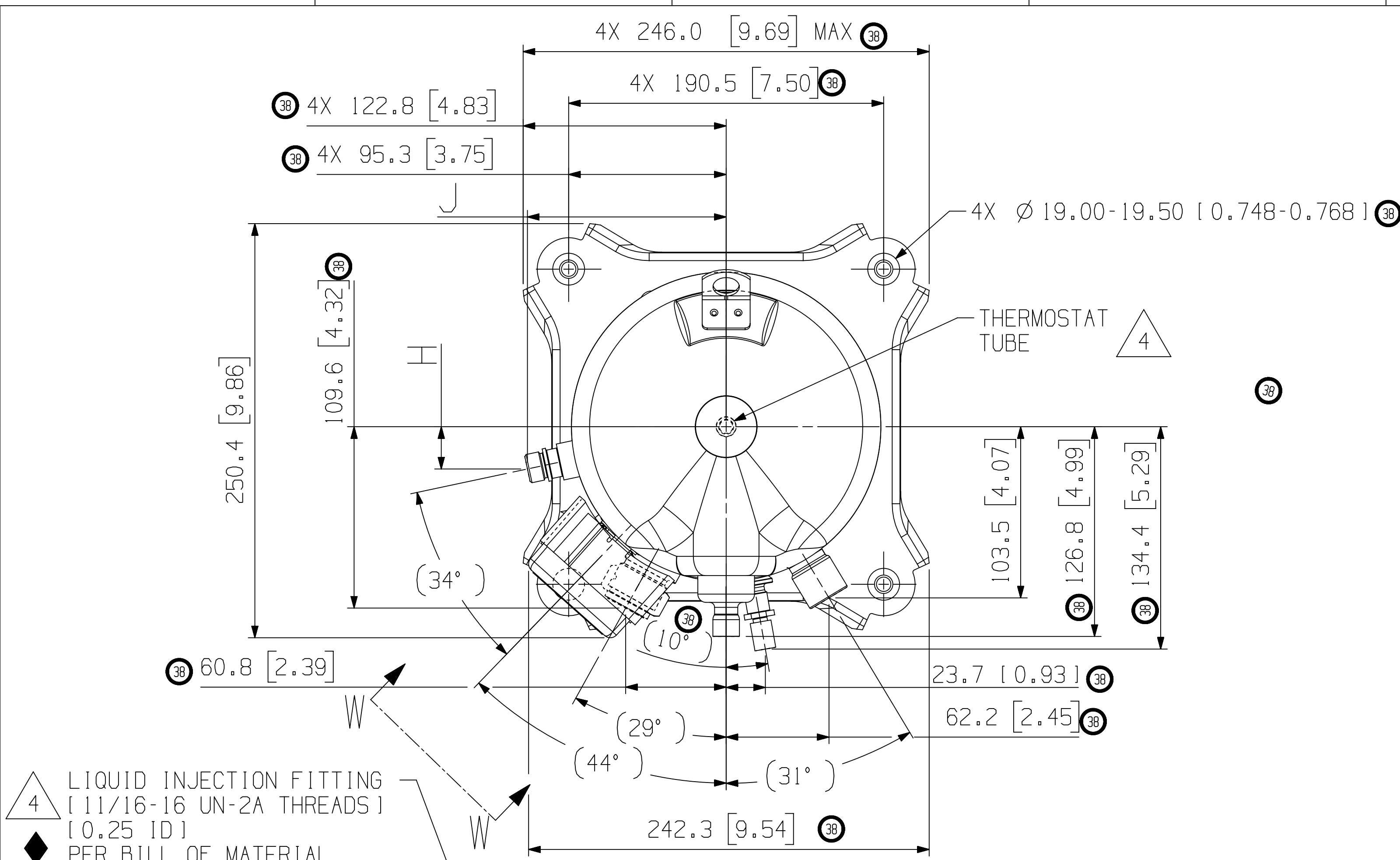
MOTOR TYPE	Ø K (PIN CIRCLE)
PFJ PFV TF5	13.46 (0.530)
TFD TFE TF7	17.45 (0.687)



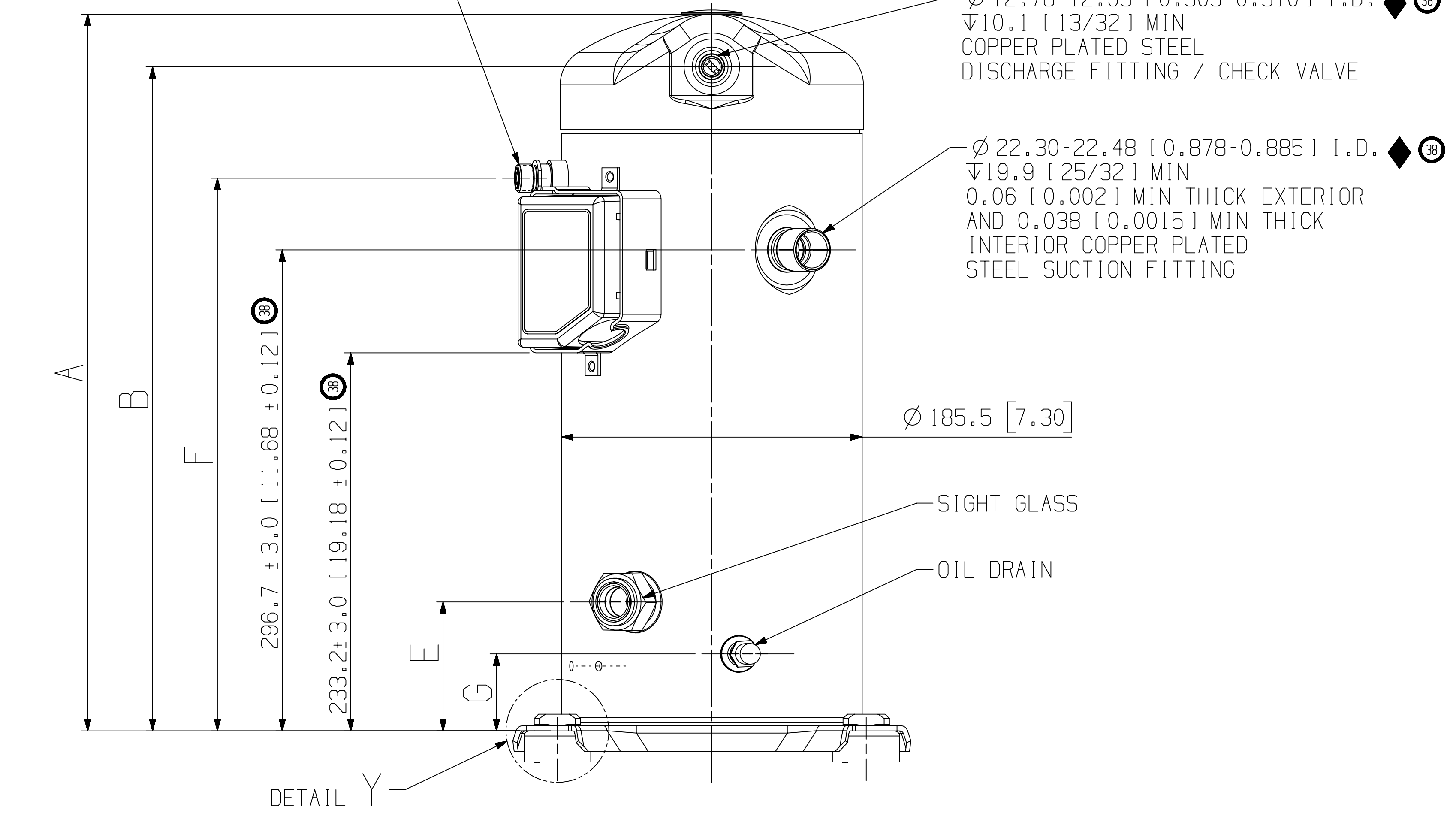
TERMINAL BOX LAYOUT OPTIONS  
TERMINAL BOX COVER NOT SHOWN  
VIEW W-W  
SCALE 1:1



DETAIL Y  
SCALE 1:1



4 LIQUID INJECTION FITTING  
[11/16-16 UN-2A THREADS]  
[0.25 ID]  
PER BILL OF MATERIAL  
(SEE SHEET 4 FOR VAPOR  
INJECTION FITTING OPTIONS)



ECN	REV.	DESCRIPTION	DATE	BY	CHKD	APPR
ECN300410	38	SEE SHEET 1	08-31-17	SVR	PR1	BE
ECN300410	38	REDRAWN WITH CHANGES	06-28-17	JSK	PR1	BE
32-1198-023	0	RELEASED	01-11-99	AJA	DAN	

CONFIDENTIALITY NOTICE			
ENG NOTICE NO.	REV.NO.	REVISIONS	DATE
0		THIS DRAWING AND INFORMATION CONTAINED HEREIN ARE THE EXCLUSIVE PROPERTY OF EMERSON CLIMATE TECHNOLOGIES, INC. AND SHALL BE RETURNED UPON DEMAND AND SHALL NOT BE REPRODUCED, IN WHOLE OR IN PART, DISCLOSED TO ANYONE ELSE OR USED, WITHOUT THE WRITTEN CONSENT OF EMERSON CLIMATE TECHNOLOGIES, INC.	
MATERIAL SPECIFICATION		DRAWN BY	SUPERSEDES DWG. NO. / REV. NO.
N/A		JSK	497-3543-00/37
		DATE	SCALE
		06-28-17	1:2
TITLE		DRAWING NUMBER	SHEET 2 OF 4
REF DWG-WELD COMP ASSM		497-3543-00	4

**EMERSON**  
Climate Technologies

**Copeland**  
brand products

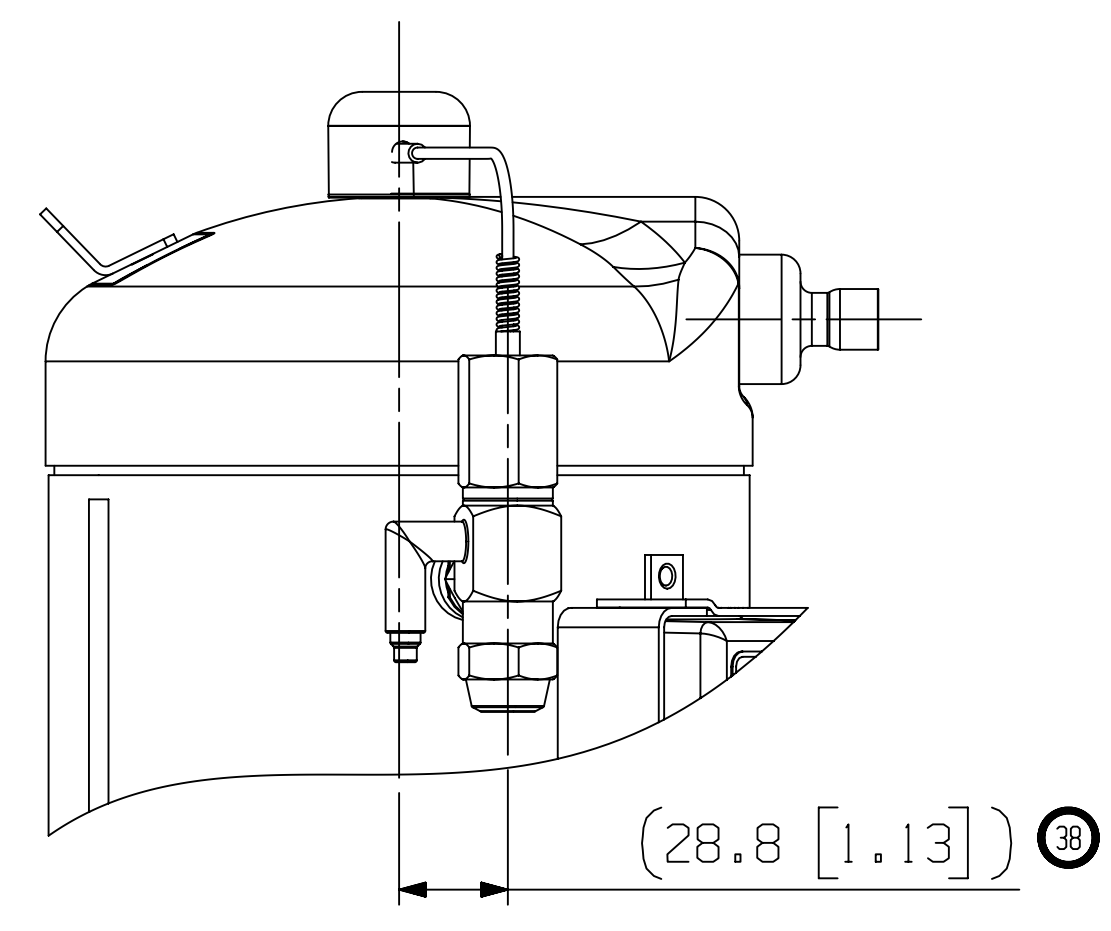
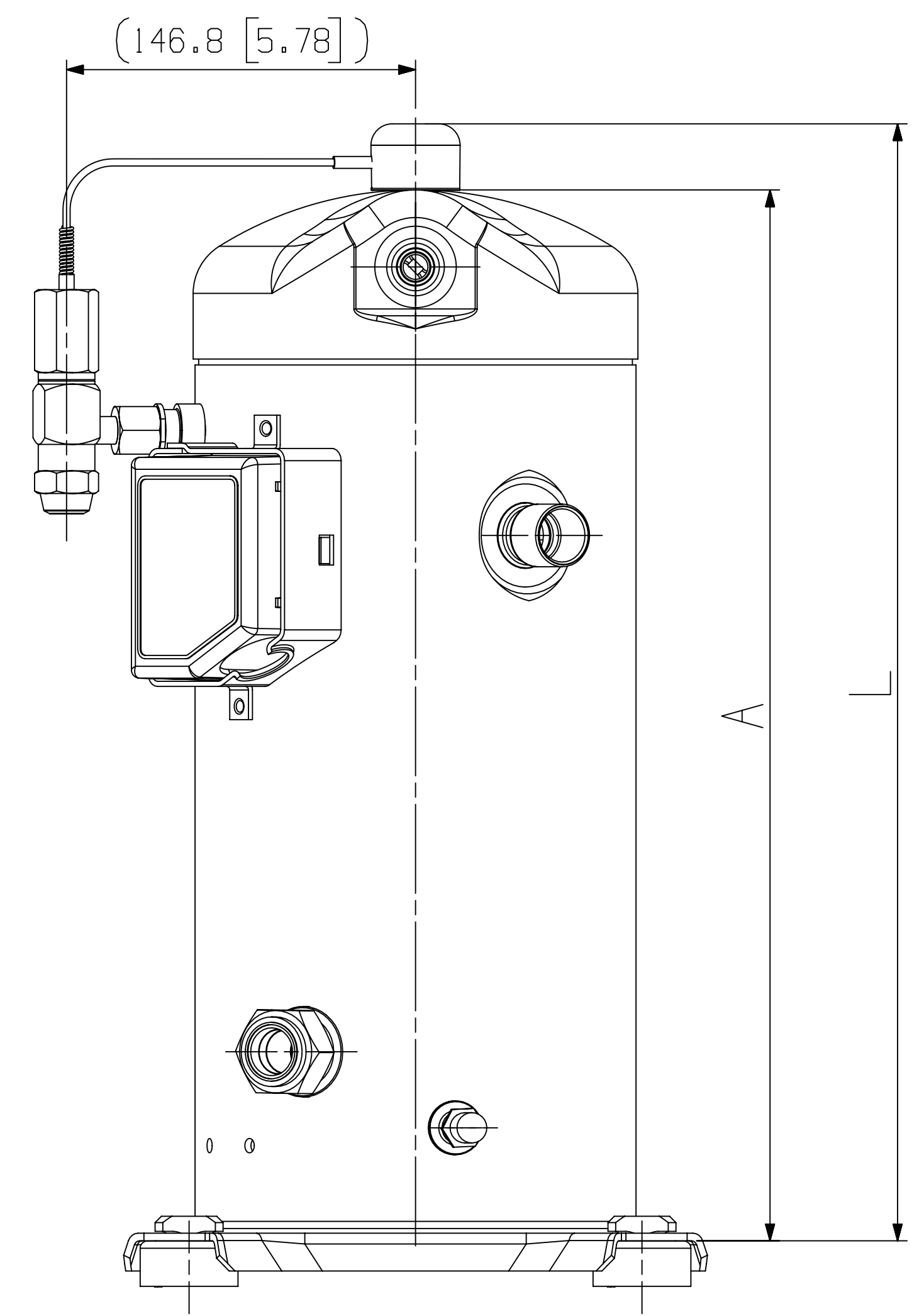
INTERPRET PER ASME  
Y14.5M-1994 AND  
EMERSON CLIMATE  
TECHNOLOGIES, INC.  
DESIGN STANDARDS DS2002

DO NOT SCALE DRAWING

THIRD ANGLE  
PROJECTION

CRITICAL PRODUCT  
CHARACTERISTICS

UNLESS OTHERWISE SPECIFIED  
DIMENSIONS ARE MILLIMETER OR (1 INCH)  
TOLERANCES:  
1-PLACE ±  
2-PLACE ±  
ANGULAR ±



ENG NOTICE NO.	REV.NO.	REVISIONS	DATE	BY	CHKD	APPR
ECN300410	38	SEE SHEET 1	08-31-17	SVR	PRI	BE
ECN300410	38	REDRAWN WITH CHANGES	06-28-17	JSK	PRI	BE
32-1198-023	0	RELEASED	01-11-99	AJA	DAN	

CONFIDENTIALITY NOTICE			
THIS DRAWING AND INFORMATION CONTAINED HEREIN ARE THE EXCLUSIVE PROPERTY OF EMERSON CLIMATE TECHNOLOGIES, INC. AND SHALL BE RETURNED UPON DEMAND AND SHALL NOT BE REPRODUCED IN WHOLE OR IN PART DISCLOSED TO ANYONE ELSE OR USED, WITHOUT THE WRITTEN CONSENT OF EMERSON CLIMATE TECHNOLOGIES, INC.			
MATERIAL SPECIFICATION	DRAWN BY	SUPERSEDES DWG. NO. / REV. NO.	
N/A	JSK	497-3543-00/37	
	DATE	SCALE	DATE FORMAT:
	06-28-17	1:2	MM-DD-YY
TITLE	DRAWING NUMBER	SHEET 3 OF 4 DWG	
REF DWG-WELD COMP ASSM	497-3543-00	4	
		SIZE	

EMERSON  
Climate Technologies

Copeland  
brand products

INTERPRET PER ASME  
Y14.5M-1994 AND  
EMERSON CLIMATE  
TECHNOLOGIES, INC.  
DESIGN STANDARDS DS2002

DO NOT SCALE DRAWING

CRITICAL PRODUCT CHARACTERISTICS

THIRD ANGLE PROJECTION

UNLESS OTHERWISE SPECIFIED  
DIMENSIONS ARE MILLIMETER OR (1 INCH)

TOLERANCES:  
1-PLACE ±  
2-PLACE ±  
ANGULAR ±

1

© COPYRIGHT EMERSON CLIMATE TECHNOLOGIES, INC. - CONFIDENTIAL

8

7

6

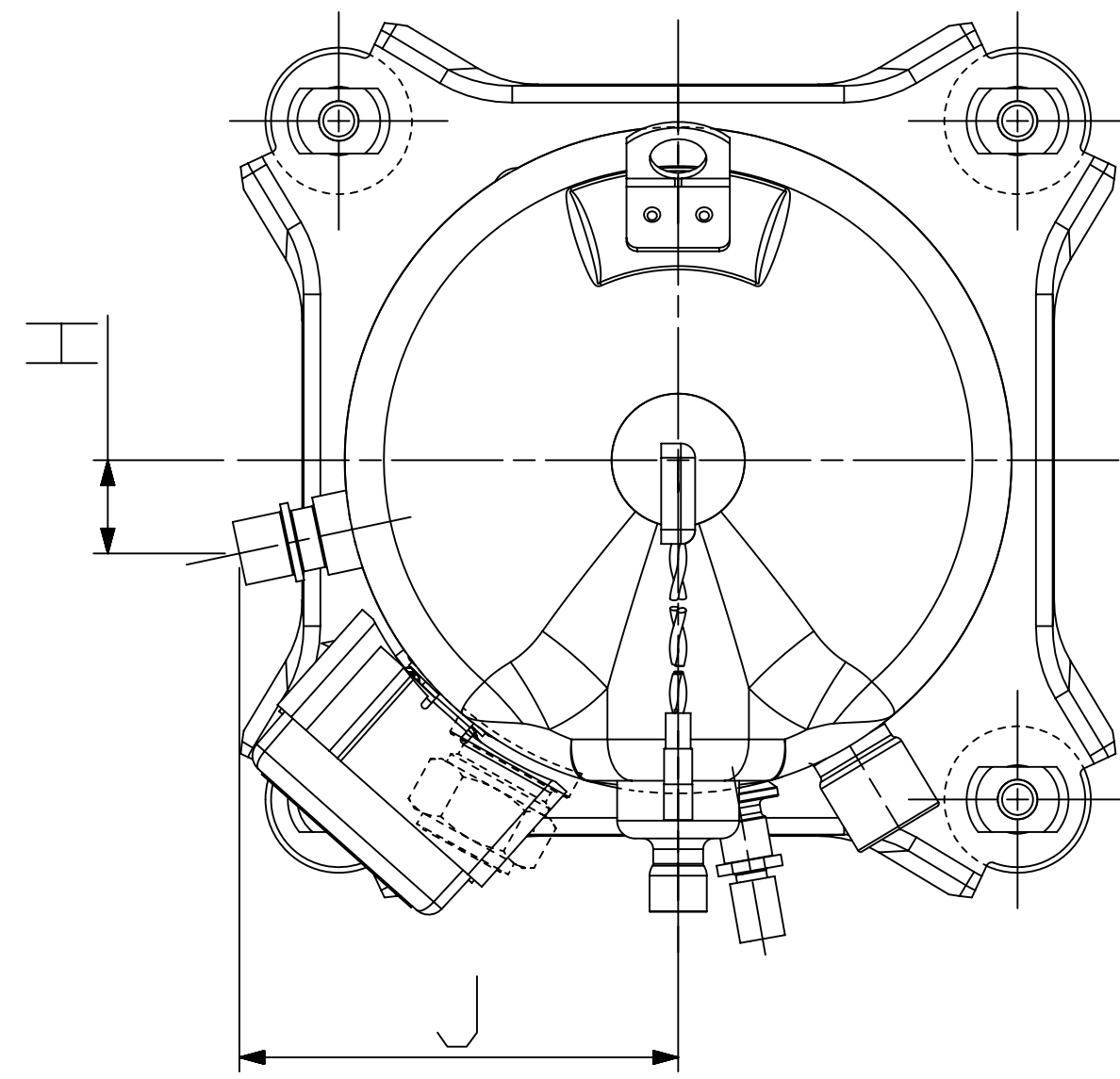
5

4

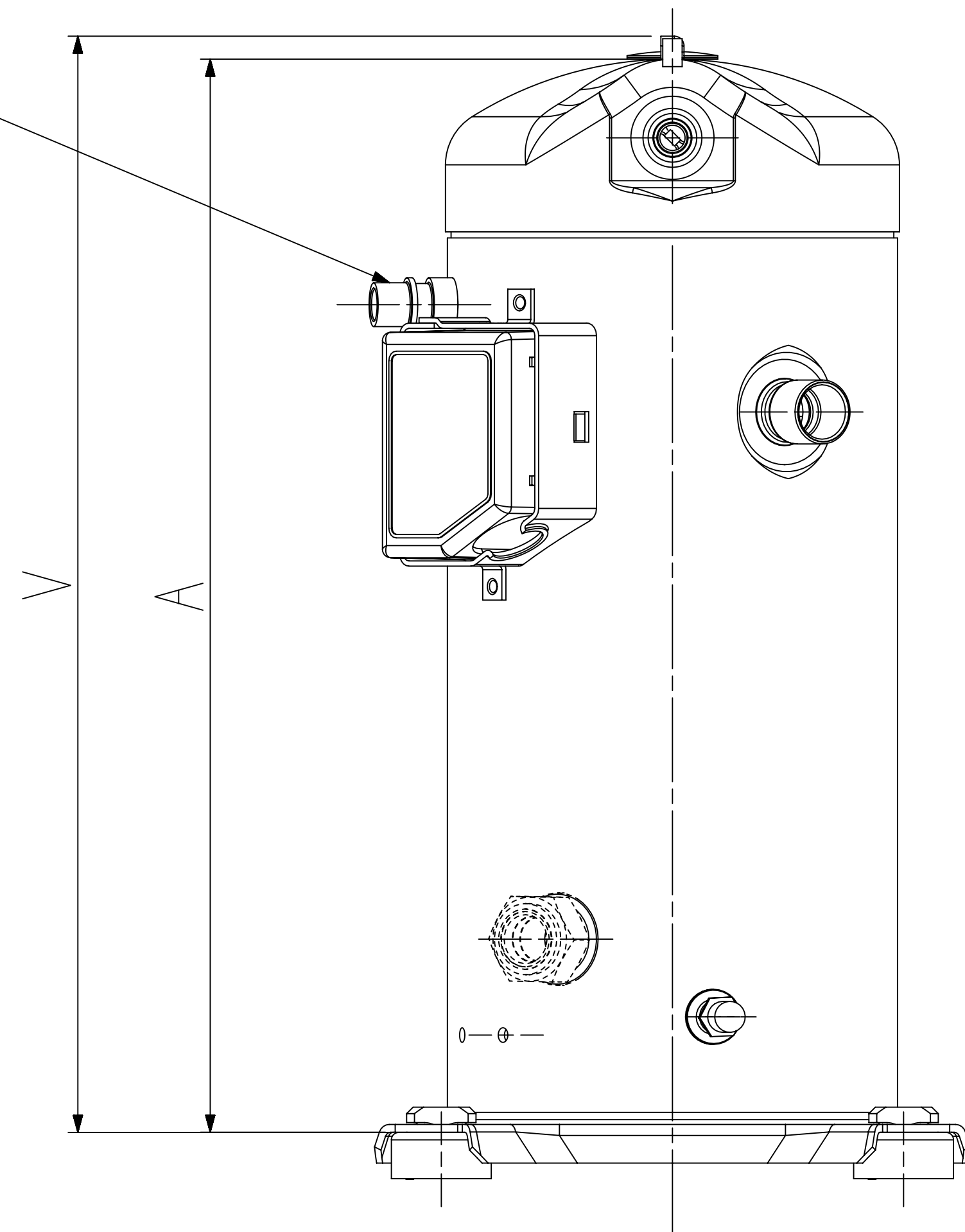
3

2

1



◆ VAPOR INJECTION FITTING  
 (0.50 I.D.)  
 PER BILL OF MATERIAL



**EMERSON**  
 Climate Technologies

**Copeland**  
 brand products

INTERPRET PER ASME  
 Y14.5M-1994 AND  
 EMERSON CLIMATE  
 TECHNOLOGIES, INC.  
 DESIGN STANDARDS DS2002

DO NOT SCALE DRAWING

CRITICAL PRODUCT CHARACTERISTICS

THIRD ANGLE PROJECTION

UNLESS OTHERWISE SPECIFIED  
 DIMENSIONS ARE MILLIMETER OR (1 INCH)

TOLERANCES:  
 1- PLACE ±  
 2- PLACE ±  
 ANGULAR ±

ENG NOTICE NO.	REV.NO.	REVISIONS	DATE	BY	CHKD	APPR
ECN300410	38	SEE SHEET 1	08-31-17	SVR	PR1	BE
ECN300410	38	REDRAWN WITH CHANGES	06-28-17	JSK	PR1	BE
32-1198-023	0	RELEASED	01-11-99	AJA	DAN	

CONFIDENTIALITY NOTICE			
THIS DRAWING AND INFORMATION CONTAINED HEREIN ARE THE EXCLUSIVE PROPERTY OF EMERSON CLIMATE TECHNOLOGIES, INC. AND SHALL BE RETURNED UPON DEMAND AND SHALL NOT BE REPRODUCED IN WHOLE OR IN PART DISCLOSED TO ANYONE ELSE OR USED, WITHOUT THE WRITTEN CONSENT OF EMERSON CLIMATE TECHNOLOGIES, INC.			
MATERIAL SPECIFICATION	DRAWN BY	SUPERSEDES DWG. NO. / REV. NO.	
N/A	JSK	497-3543-00/37	
	DATE	SCALE	DATE FORMAT:
	06-28-17	1:2	MM-DD-YY
TITLE	DRAWING NUMBER	SHEET 4 OF 4 DWG	
REF DWG-WELD COMP ASSM	497-3543-00	4	
		SIZE	

UNCONTROLLED - DO NOT MODIFY

© COPYRIGHT EMERSON CLIMATE TECHNOLOGIES, INC. - CONFIDENTIAL