

200-240V 50 / 230V 60Hz 1~



## GENERAL DATA

**Application:** HBP  
**Refrigerant:** R134a  
**Evaporating Temperature Range:** -15°C to 10°C  
**Compressor Cooling:** Fan  
**Fan air flow:** 520 m<sup>3</sup>/h  
**Type:** Hermetic reciprocating  
**Technology Type:** On-Off  
**Expansion Device:** Capillary Tube or Expansion Valve  
**Packing Quantity:** Single - 1 pc  
**Displacement:** 22.4 cm<sup>3</sup>  
**Horse power:** 3.4 hp

Approvals:    

## MECHANICAL DATA

**Bore:** 36.99 mm  
**Stroke:** 20.83 mm  
**Oil Charge:** 450ml +/-15ml  
**Free Internal Volume:** 3.3 cm<sup>3</sup>  
**Maximum Recommended Refrigerant Charge:** 800 g  
**Oil Type Configuration:** Polyolester  
**Oil Type Viscosity:** ISO22  
**Compressor pressurization:** Dry air charge  
**Weight:** 16.7 kg

## ELECTRICAL DATA

**Motor Type:** CSIR  
**Starting Torque:** HST  
**Voltage working range at 50 Hz:** 180-254 V  
**Voltage working range at 60 Hz:** 207-253 V  
**Maximum Motor Temperature:** 130 °C  
**Start Winding Resistance:** 12.87 Ω (± 10%) at 25°C  
**Run Winding Resistance:** 2.05 Ω (± 10%) at 25°C  
**Locked Rotor Amperage (LRA):** 30 A

## MOUNTING ACCESSORIES

	Description	Code
<b>Anchorage:</b>	no	-
<b>Grommets:</b>	yes	2221004
<b>Sleeves:</b>	yes	2222016
<b>Washer:</b>	no	-
<b>Pin:</b>	no	-
<b>Clip:</b>	no	-
<b>Rotolock valve:</b>	no	-
<b>Cover:</b>	yes	2075282
<b>Terminal Board:</b>	yes	1027060
<b>Overload Protector Bracket:</b>	yes	2075299
<b>Capacitor Bracket:</b>	yes	2255007

## ELECTRICAL COMPONENTS

	Component type	Description	Code
<b>Start Capacitor:</b>		88-108 MFD 330V	2252364
<b>Starting Device:</b>	Current relay	MTRPH-55-65	2334101
<b>Motor Protection:</b>	External 3/4"	T0901/G6	2319106

## EXTERNAL CHARACTERISTICS

**Base Plate:** Universal  
**Tray Holder:** No  
**Height:** 220 mm

	Internal Diameter (mm)	Material	Shape
<b>Suction Connector</b>	9.6	Copper	Vertical
<b>Discharge Connector</b>	6.42	Copper	Vertical
<b>Process Connector</b>	6.42	Copper	Vertical

**RATED POINT DATA**

Cooling Capacity (W)	Power Consumption (W)	Current Consumption (A)	Gas Flow Rate (kg/h)	Efficiency (W/W)
±5%	±5%	±5%	±5%	±7%
2 043	854	5.20	45.04	2.39

Test condition: ASHRAE, Fan, Return Gas 35°C, Subcooling 8.3K, Evaporating: 7.2°C, Condensing: 54°C, Ambient: 35°C

**PERFORMANCE CURVE DATA**

**200V 50Hz**

Condensing Temperature (°C)	Evaporating Temperature (°C)	Cooling Capacity (W)	Power Consumption (W)	Current Consumption (A)	Gas Flow Rate (kg/h)	Efficiency (W/W)
		±5%	±5%	±5%	±5%	±7%
<b>35°C</b>	10	2 919	736	4.70	55.14	3.97
	5	2 415	674	4.41	45.33	3.58
	0	1 973	615	4.16	36.84	3.21
	-5	1 593	559	3.93	29.60	2.85
	-10	1 273	506	3.73	23.58	2.52
	-15	1 014	455	3.55	18.71	2.23

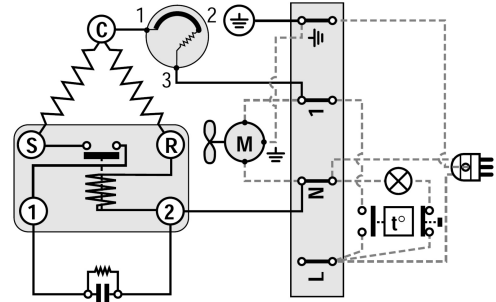
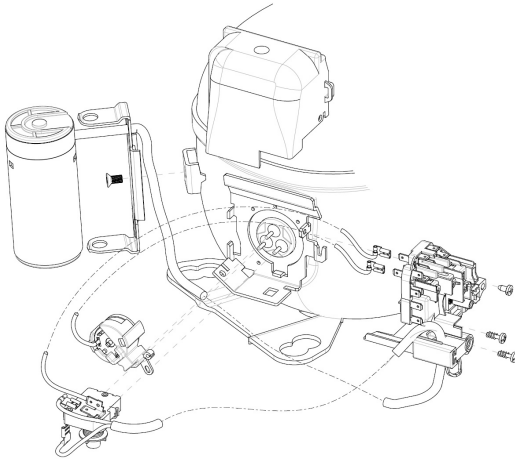
Condensing Temperature (°C)	Evaporating Temperature (°C)	Cooling Capacity (W)	Power Consumption (W)	Current Consumption (A)	Gas Flow Rate (kg/h)	Efficiency (W/W)
		±5%	±5%	±5%	±5%	±7%
<b>45°C</b>	10	2 572	822	5.07	52.61	3.13
	5	2 116	747	4.72	42.97	2.83
	0	1 721	677	4.41	34.73	2.54
	-5	1 386	611	4.14	27.84	2.27
	-10	1 112	549	3.89	22.25	2.03
	-15	897	491	3.67	17.89	1.83

Condensing Temperature (°C)	Evaporating Temperature (°C)	Cooling Capacity (W)	Power Consumption (W)	Current Consumption (A)	Gas Flow Rate (kg/h)	Efficiency (W/W)
		±5%	±5%	±5%	±5%	±7%
<b>55°C</b>	10	2 249	913	5.47	50.26	2.46
	5	1 843	824	5.06	40.89	2.24
	0	1 498	740	4.69	33.01	2.02
	-5	1 212	663	4.35	26.56	1.83
	-10	985	590	4.05	21.49	1.67

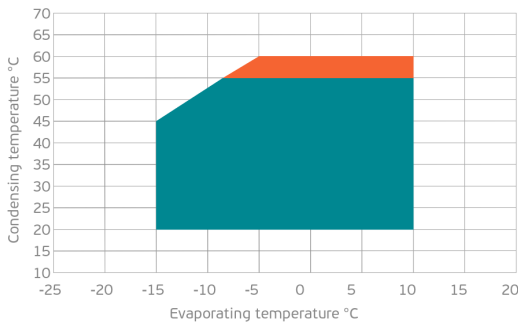
Test condition: ASHRAE, Fan, Return Gas 35°C, Subcooling 8.3K, Ambient: 35°C

**ASSEMBLY INSTRUCTION**

**WIRING DIAGRAM**

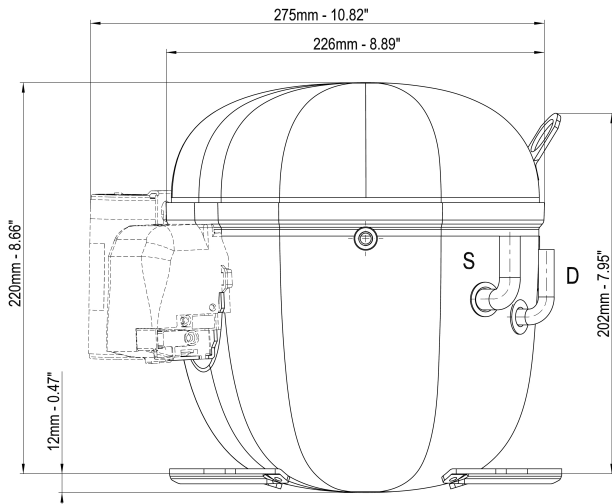


**OPERATING ENVELOPE**



- Operating Condition
- Transient Condition
- Superheating

**NOTE:** usage of compressors outside of intended working range cannot make use of the warranty, or should be consulted with Technical support.



	∅ mm	∅ in	Material
<b>S - Suction</b>	9.60	0.37	Cu
<b>P - Process</b>	6.42	0.25	Cu
<b>D - Discharge</b>	6.42	0.25	Cu

