

MODEL NUMBER

ZP34/36/38/39/42/44/49/51/54K5E - PFV
ZP34/36/38/39/42/44/49/51/54K5E - TF5
ZP34/36/38/39/42/44/49/51/54K5E - TFD
ZP36/42/44/49/51/54K5E - PFJ
ZP34/36/38/39/42/44/49/51/54K5E - TFE
ZP34/39/42/44/49/51/54K5E - TF7
ZP34KFE - PFV
ZP36KHE - PFZ
ZP39KHE - PFZ
ZP44KSE - PFZ

- 33
- 36
- 38
- 32
- 34
- 35
- 37

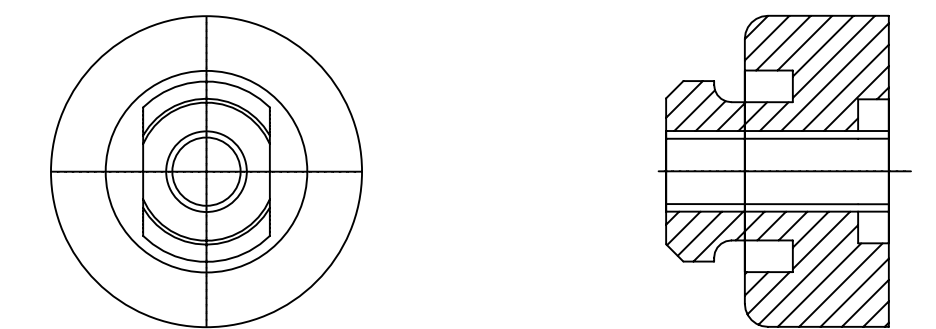
SPECIFICATIONS	
ES NO.	DESCRIPTION
ES92-155	CONVERSION-METRIC

NOTES:

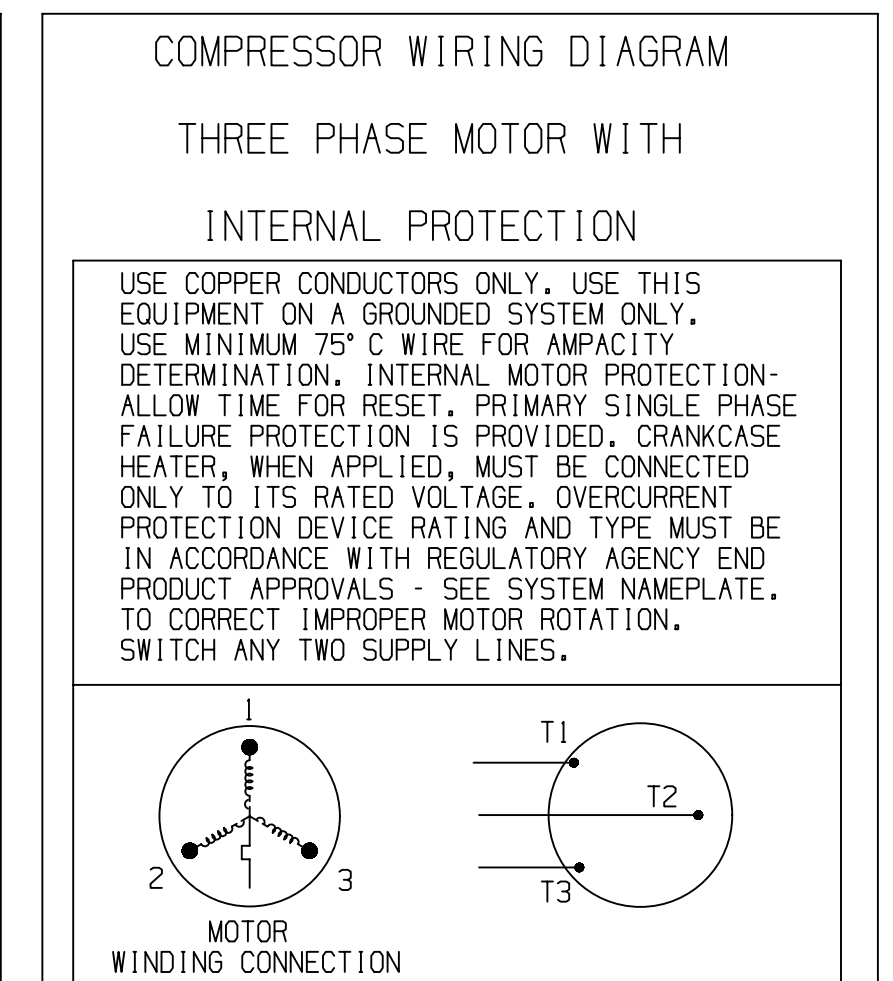
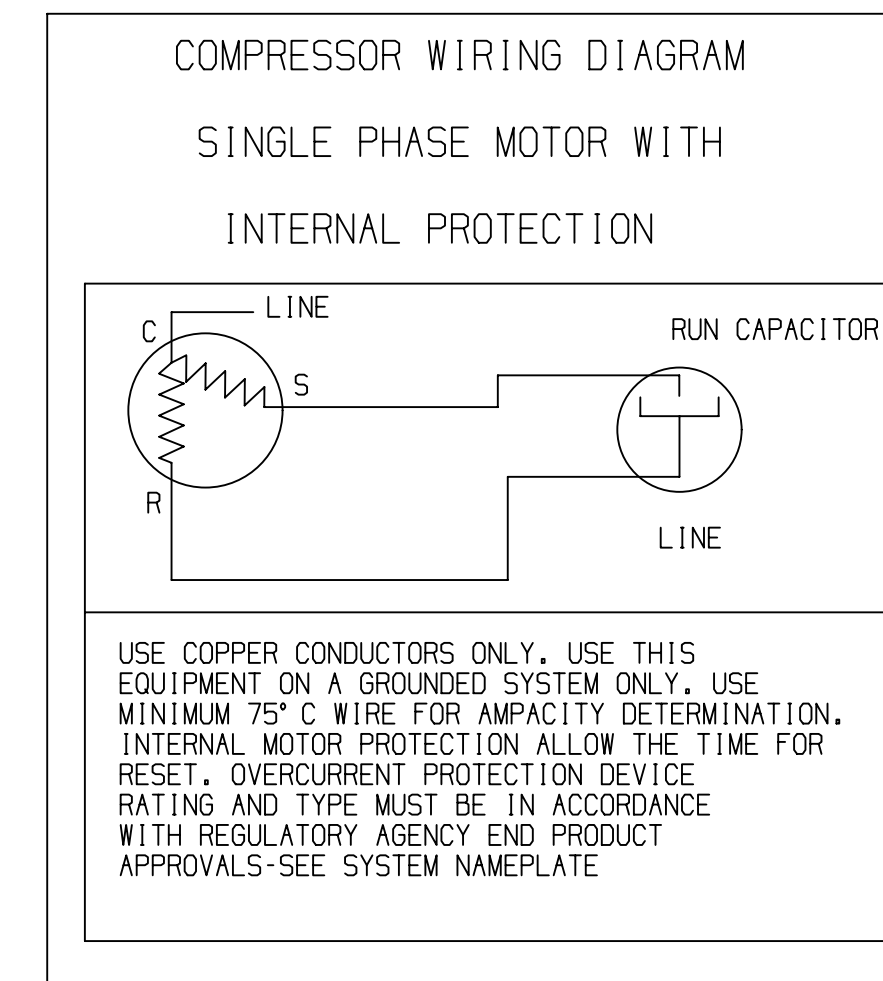
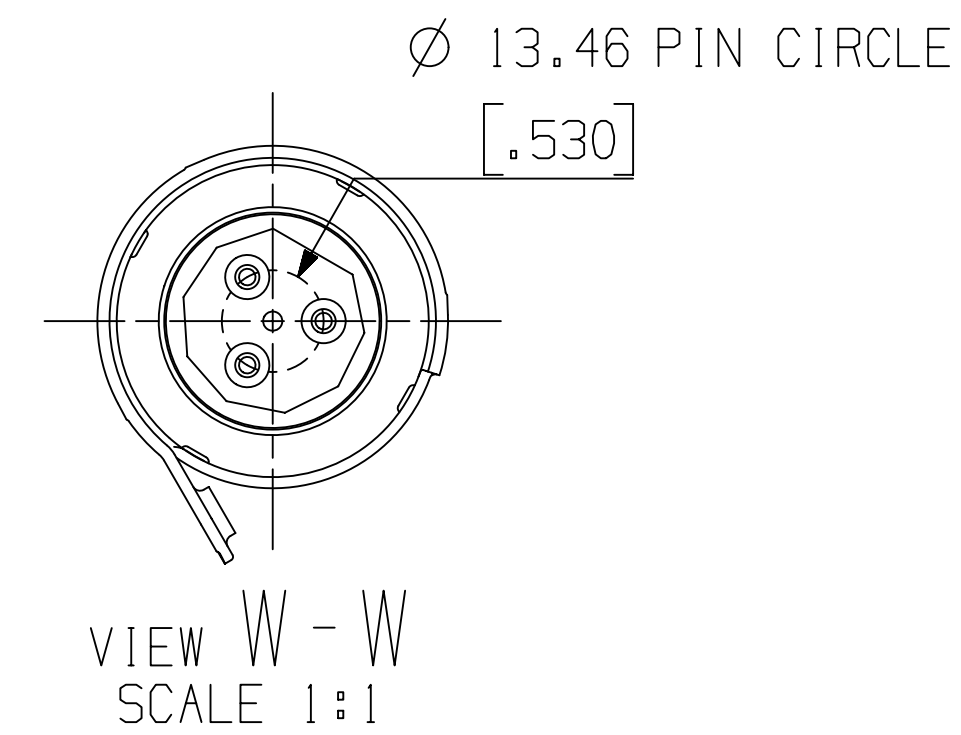
- 1 ALL TOLERANCES ± 1.50 [0.060] UNLESS OTHERWISE SPECIFIED.
- 2 THE SUCTION TUBE, DISCHARGE TUBE, AND CIRCLE FENCE RADIAL DIMENSIONS ARE TO BE GAUGED FROM THE CENTER OF THE MOUNTING HOLE PATTERN.

3. TUBE ENDS MUST BE PLUGGED.

4. MOUNTING KIT:



GROMMET DUROMETER	4 FOOT KIT
35-45	527-0116-00



ECN	REV.	DESCRIPTION	DATE	BY	CHKD	APPR
ECN300927	38	ADDED ZP54K5E - TF7 MODEL	03-29-17	TM	BLR	JAS
ECN200113	37	ADDED ZP44K5E - PFZ MODEL	07-28-16	CYZ	ZH	JOY
ECN102082	36	ADDED ZP42K5E - TF7 MODEL	04-29-16	MAM	PBM	PBM
ECN102812	35	ADDED ZP39KHE - PFZ MODEL	03-28-16	SZ	ZH	JOY
ECN102811	34	ADDED ZP36KHE - PFZ MODEL	03-22-16	AZ	ZH	JOY
ECN101885	33	ADDED ZP34K5E - TF7 MODEL	01-22-16	MAM	PBM	PBM
ECN101617	32	REDRWN WITH CHANGES	10-19-15	MAM	PBM	PBM
32-1103-065	0	RELEASED	05-10-04	LWM	GD	RST

ENG NOTICE NO.	REV. NO.	REVISIONS	DATE	BY	CHKD	APPR
24	(63FR)	CONFIDENTIALITY NOTICE				
THIS DRAWING AND INFORMATION CONTAINED HEREIN ARE THE EXCLUSIVE PROPERTY OF EMERSON CLIMATE TECHNOLOGIES, INC. AND SHALL BE RETURNED UPON DEMAND AND SHALL NOT BE REPRODUCED IN WHOLE OR IN PART DISCLOSED TO ANYONE ELSE OR USED, WITHOUT THE WRITTEN CONSENT OF EMERSON CLIMATE TECHNOLOGIES, INC.						
MATERIAL SPECIFICATION		DRAWN BY	SUPERSEDES DWG. NO. / REV. NO.			
N/A		MAM	497-2835-00 / 031			
		DATE	SCALE	DATE FORMAT:		
		10-19-15	1:2	MM-DD-YY		
TITLE		DRAWING NUMBER		SHEET 1 OF 1		
REF DWG-WELD COMP ASSM		497-2835-00		4		
				SIZE		

EMERSON
Climate Technologies

Copeland
brand products

INTERPRET PER ASME Y14.5M-1994 AND EMERSON CLIMATE TECHNOLOGIES, INC. DESIGN STANDARDS DS2002

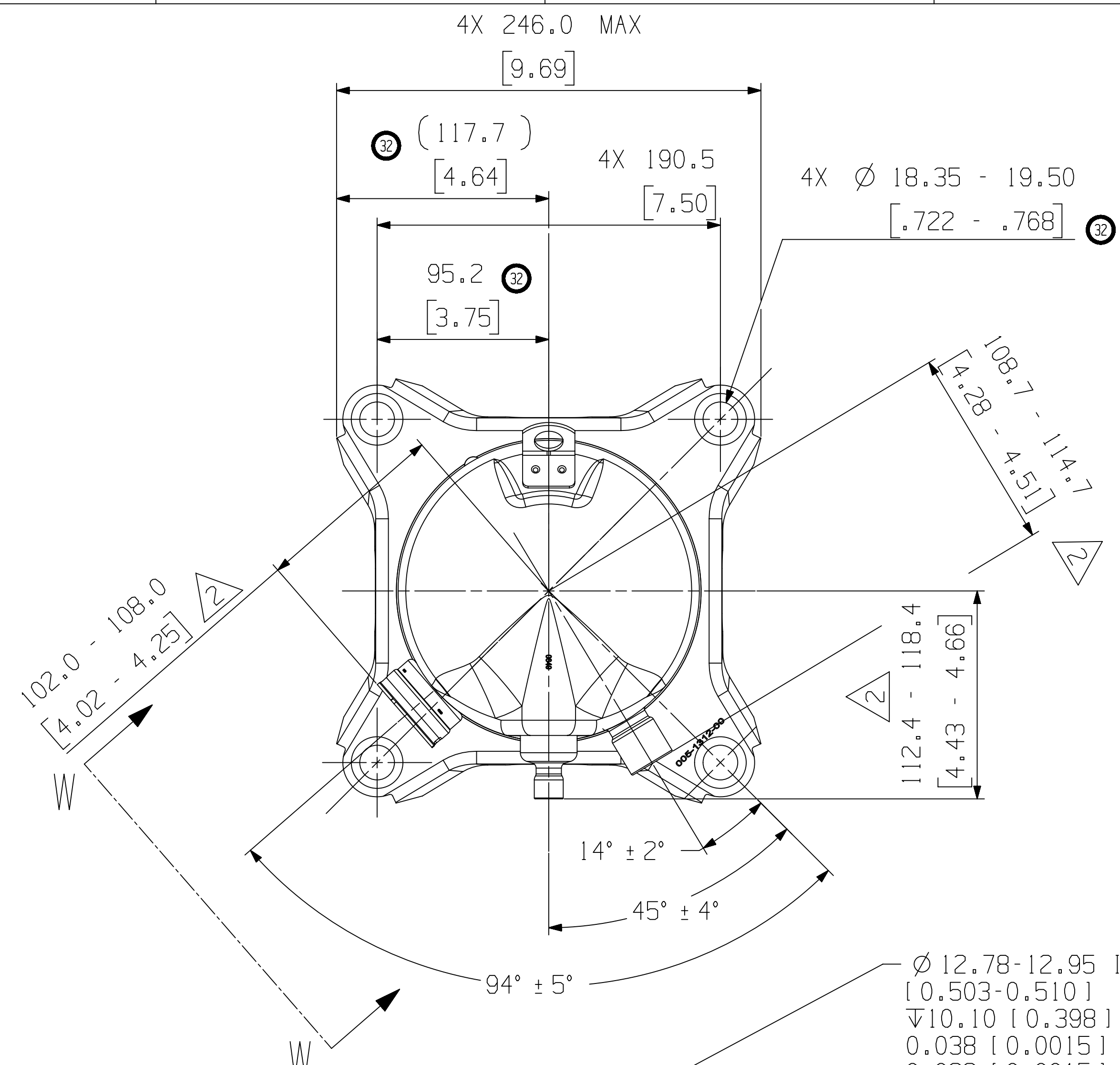
DO NOT SCALE DRAWING

THIRD ANGLE PROJECTION

CRITICAL PRODUCT CHARACTERISTICS

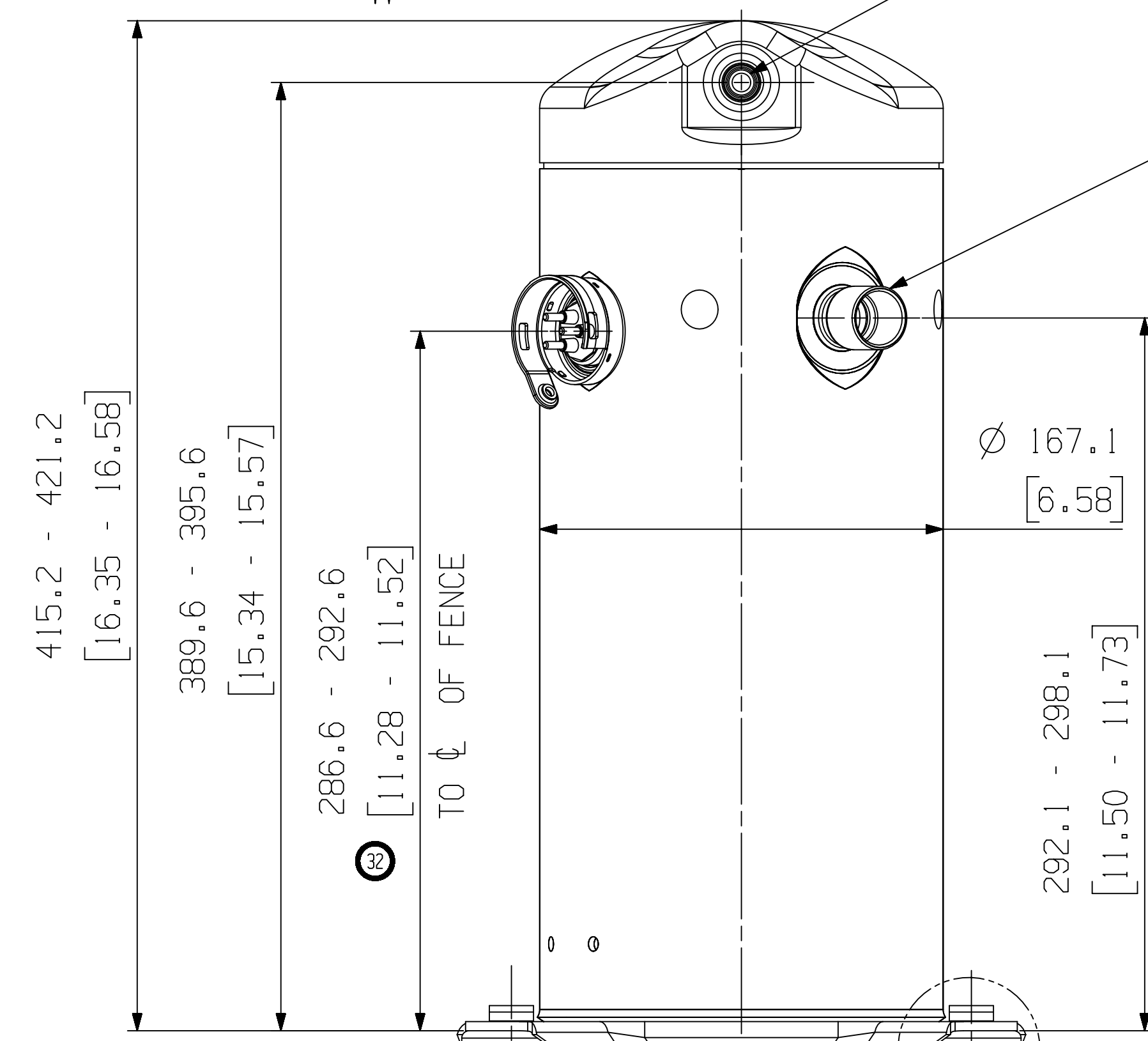
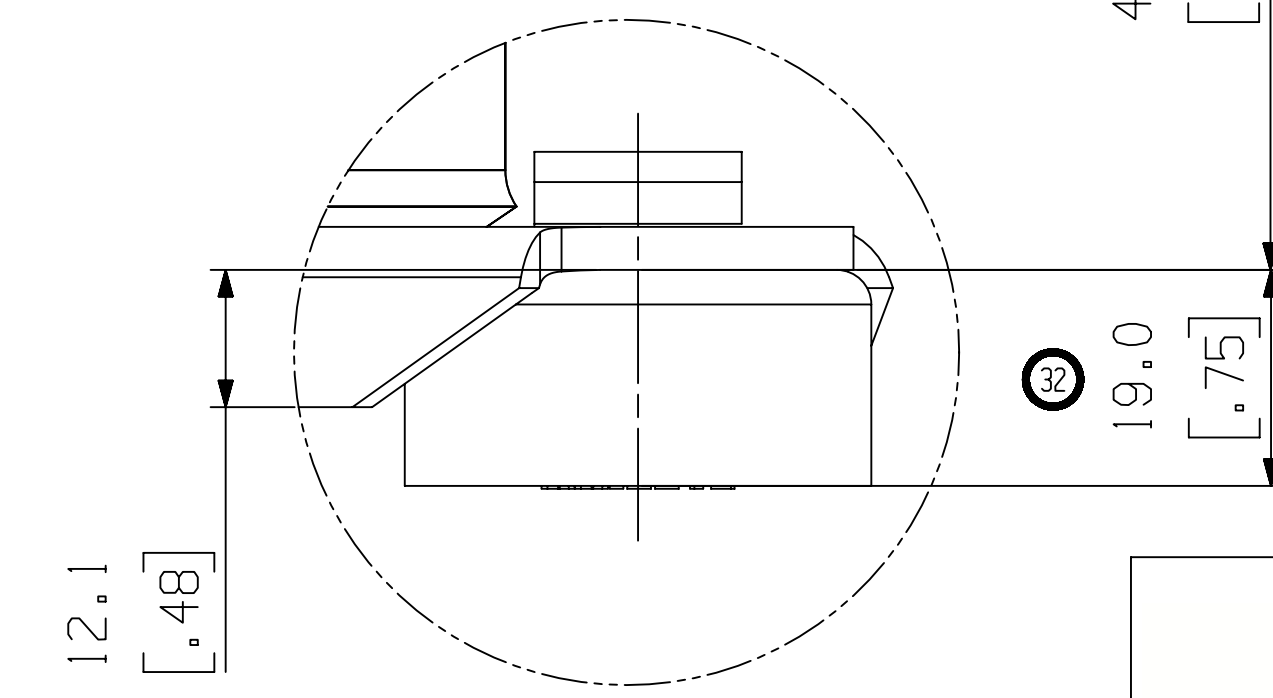
UNLESS OTHERWISE SPECIFIED DIMENSIONS ARE MILLIMETER OR (1 INCH)

1-PLACE \pm
2-PLACE \pm
ANGULAR \pm



\varnothing 12.78-12.95 I.D. [0.503-0.510]
 ∇ 10.10 [0.398] MIN,
 0.038 [0.0015] MIN THICK EXTERIOR AND
 0.038 [0.0015] MIN THICK INTERIOR
 COPPER PLATED STEEL DISCHARGE FITTING.

22.30-22.48 I.D. [0.878-0.885]
 ∇ 19.9 [0.78] MIN,
 0.038 [0.0015] MIN THICK EXTERIOR AND
 0.038 [0.0015] MIN THICK INTERIOR
 COPPER PLATED STEEL SUCTION FITTING



SEE DETAIL Y