

## HXD55AA DELTA LBP Compressor Superior Efficiency R600a 220-240V 50Hz

### General

Code number (pre-assembled RSIR start equipment)	CDO00101
Approvals	EN 60335-2-34 w. Annex AA
Compressors on pallet	168

### Application

Application	LBP		
Frequency	Hz	50	60
Evaporating temperature	°C	-35 to -5	-
Voltage range	V	187 to 264	-
Max. condensing temperature continuous (short)	°C	60 (70)	-
Max. winding temperature continuous (short)	°C	120 (130)	-

### Cooling requirements

Frequency	Hz	50			60		
Application		LBP	MBP	HBP	LBP	MBP	HBP
32°C		S	-	-	-	-	-
38°C		S	-	-	-	-	-
43°C		S	-	-	-	-	-
Remarks on application:							

### Motor

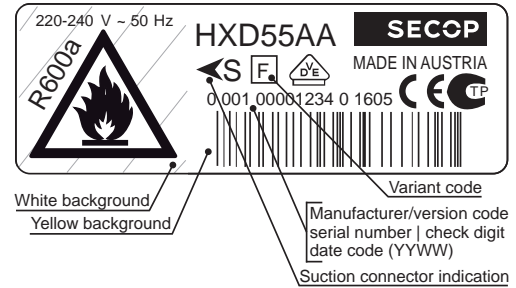
Motor type	RSCR		
LRA (rated after 4 sec. UL984), HST   LST	A	-	1.77
Cut in Current, HST   LST	A	-	5.4
Resistance, main   start winding (25°C)	Ω	48.0	42.0

### Design

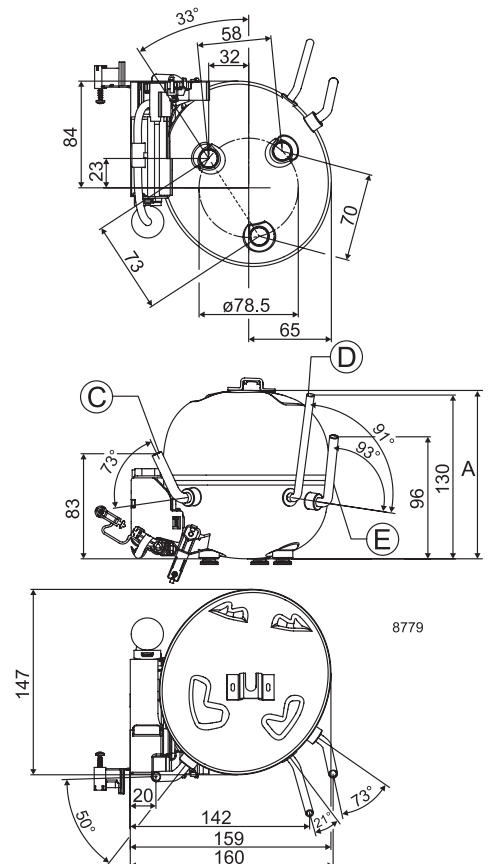
Displacement	cm <sup>3</sup>	5.5
Oil quantity (type)	cm <sup>3</sup>	84 (mineral)
Maximum refrigerant charge	g	150
Free gas volume in compressor	cm <sup>3</sup>	837
Weight without electrical equipment	kg	3.9

### Dimensions

Height	mm	A	133
		B	-
Suction connector	location/I.D. mm   angle	C	6.2   73°
	material   comment	Copper   Rubber plug	
Process connector	location/O.D. mm   angle	D	6.0   91°
	material   comment	Copper   Rubber plug	
Discharge connector	location/I.D. mm   angle	E	5.0   93°
	material   comment	Cu-plated steel   Rubber plug	
Oil cooler connector	location/I.D. mm   angle	F	-
	material   comment	-	
Connector tolerance	I.D. mm		±0.1
Remarks:			



- S = Static cooling normally sufficient
- O = Oil cooling
- F<sub>1</sub> = Fan cooling 1.5 m/s (compressor compartment temperature equal to ambient temperature)
- F<sub>2</sub> = Fan cooling 3.0 m/s necessary
- SG = Suction gas cooling normally sufficient
- = not applicable in this area



**CECOMAF LBP**

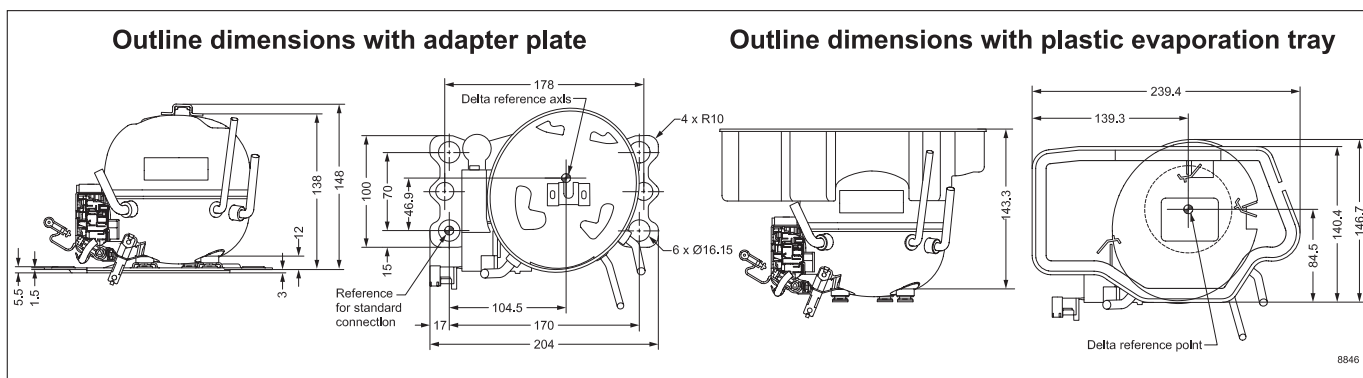
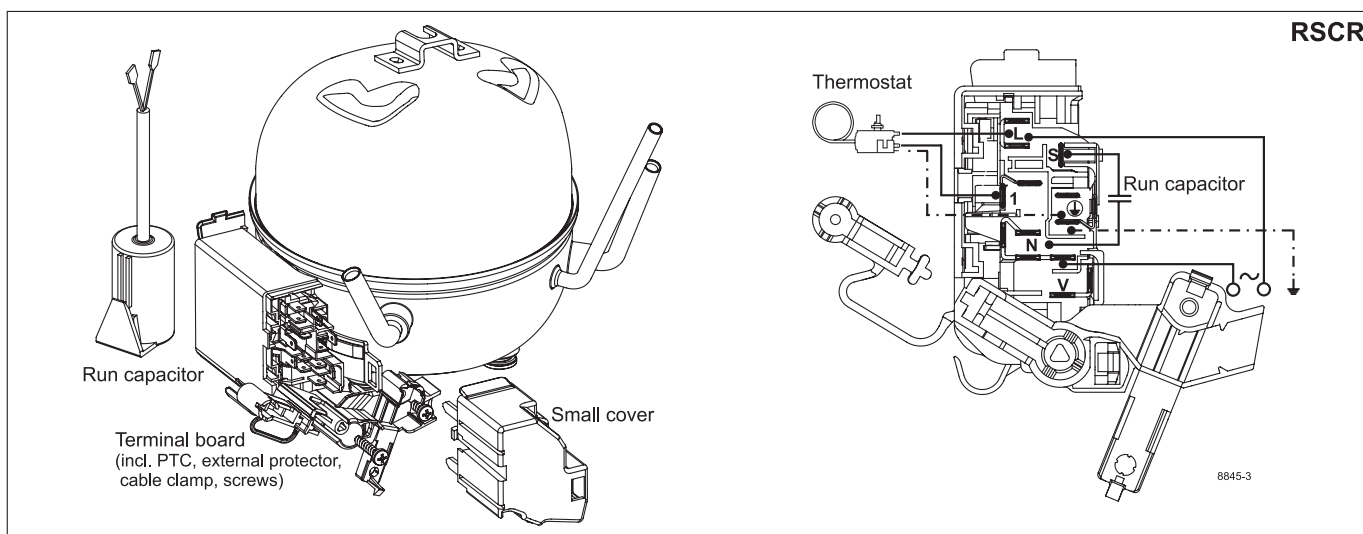
220V, 50Hz, RC 2.0µF, PTC consumption incl., static cooling

Evap. temp. in °C	-45	-40	-35	-30	-25	-23.3	-20	-15	-10	-6.7	-5	0	5	7.2	10	15	20
Capacity in W			46.5	62.0	82.8	90.9	108	138	170	194	206						
Power cons. in W			38.5	43.6	49.5	51.7	56.1	63.3	71.1	76.5	79.4						
Current cons. in A			0.21	0.23	0.25	0.26	0.28	0.32	0.35	0.38	0.39						
COP in W/W			1.21	1.42	1.67	1.76	1.93	2.17	2.40	2.53	2.60						

**ASHRAE LBP**

220V, 50Hz, RC 2.0µF, PTC consumption incl., static cooling

Evap. temp. in °C	-45	-40	-35	-30	-25	-23.3	-20	-15	-10	-6.7	-5	0	5	7.2	10	15	20
Capacity in W			51.6	68.8	91.8	101	120	153	189	215	229						
Power cons. in W			38.5	43.6	49.5	51.6	56.1	63.3	71.1	76.5	79.4						
Current cons. in A			0.21	0.23	0.25	0.26	0.28	0.32	0.35	0.38	0.39						
COP in W/W			1.34	1.58	1.86	1.95	2.14	2.41	2.66	2.81	2.88						



Accessories for	HXD55AA	Code number	Test conditions	CECOMAF LBP	ASHRAE LBP
Run capacitor (compulsory)	4.8 mm spade connectors	2.0 µF	Condensing temperature	45°C	45°C
Small cover (compulsory, delivered separately)		160943_	Ambient temperature	32°C	32.2°C
Adapter plate		157008_	Suction gas temperature	32°C	32.2°C
Evaporator tray		162531_	Liquid temperature	no subcooling	32.2°C

Spare parts for	HXD55AA	Code number	Mounting accessories (for adapter plate)	Code number
Terminal board (incl. PTC, external protector, cable clamp, screws)	4.8 mm spade connectors	BN E6	Bolt joint for one comp.	Ø: 16 mm 118-1917
Motor protector	AE88AHM	E6	Bolt joint in quantities	Ø: 16 mm 118-1918
			Snap-on in quantities	Ø: 16 mm 118-1919

Nidec GA Compressors accepts no responsibility for possible errors in catalogs, brochures, and other printed material. Nidec GA Compressors reserves the right to alter its products without notice. This also applies to products already on order provided that such alterations can be made without consequential changes being necessary to specifications already agreed. All trademarks in this material are the property of the respective companies. Secop and the Secop logotype are trademarks of Nidec Global Appliance Germany GmbH. All rights reserved. [www.secop.com](http://www.secop.com)