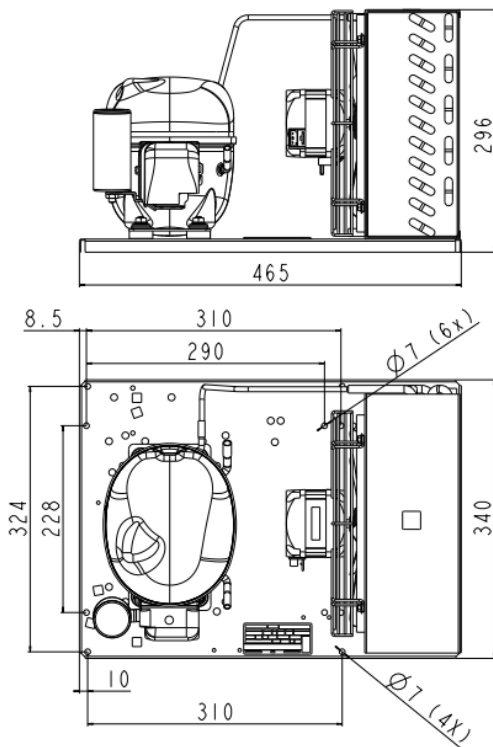


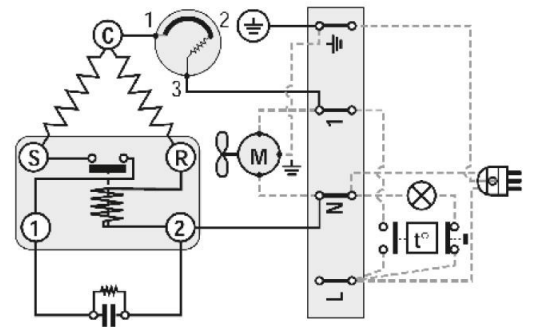
GENERAL DATA

| | |
|-----------------------------|------------------|
| Application: | HBP |
| Refrigerant: | R134a |
| Expansion Device: | C-V |
| Weight: | 21.5 kg |
| Receiver: | 0 liter |
| Voltage/Frequency: | 220 - 240 V 50 ~ |
| Height: | 21.5 mm |
| Length: | 465 mm |
| Width: | 340 mm |
| Institute Approvals: | CE |

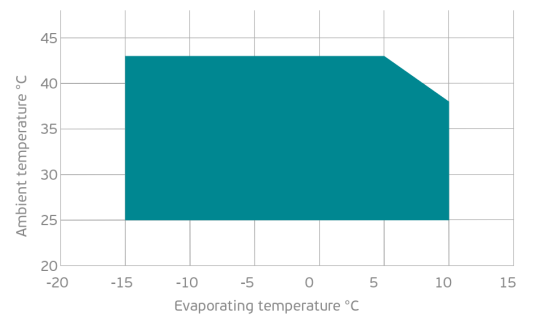
EXTERNAL DIMENSIONS



WIRING DIAGRAM



OPERATING ENVELOPE



COMPONENTS (SPARE PARTS)

| | | | | | |
|--------------------|----------|-------------|----------------|----------------|------------|
| condenser: | 3R11T | 2451206 | fankit: | 16W 254/28/5B | 1996610 |
| compressor: | NEK6210Z | 268BA51..AN | elkit: | ELKOM NEK6210Z | 268BA51N1A |

For additional accessories please contact our technical support

ELECTRICAL DATA

Motor Type: CSIR -
Locked Rotor Amperage (LRA): 19.5 A
Max.Current: 2.9 A

At maximum evaporating temperature and maximum ambient temperature.

FAN MOTOR

Number: 1 -
Shaft Power: 16 W
Air Flow: 595 m³/h
Blade Diameter: 254 mm

PERFORMANCE CURVE DATA

Standard: EN13215-RG20 / return gas 20°C, subcooling 3K

50 Hz

| | Evaporating Temperature (°C) | Cooling Capacity (W) | Power Consumption (W) | Current Consumption (A) | Efficiency (W/W) |
|---------------------------|------------------------------|----------------------|-----------------------|-------------------------|------------------|
| 25 °C Ambient Temperature | 10°C | 1 235 | 570 | 3.43 | 2.17 |
| | 5°C | 1 073 | 516 | 3.24 | 2.08 |
| | 0°C | 920 | 466 | 3.07 | 1.97 |
| | -5°C | 775 | 420 | 2.92 | 1.84 |
| | Rated point -10°C | 639 | 379 | 2.79 | 1.69 |
| | -15°C | 513 | 342 | 2.68 | 1.50 |
| 32 °C Ambient Temperature | 10°C | 1 123 | 588 | 3.54 | 1.91 |
| | 5°C | 975 | 532 | 3.34 | 1.83 |
| | 0°C | 835 | 480 | 3.16 | 1.74 |
| | -5°C | 703 | 433 | 3.01 | 1.62 |
| | Rated point -10°C | 580 | 391 | 2.88 | 1.49 |
| | -15°C | 467 | 353 | 2.77 | 1.32 |
| 43 °C Ambient Temperature | 5°C | 830 | 562 | 3.44 | 1.48 |
| | 0°C | 699 | 507 | 3.24 | 1.38 |
| | -5°C | 577 | 456 | 3.06 | 1.27 |
| | Rated point -10°C | 464 | 410 | 2.92 | 1.13 |
| | -15°C | 360 | 370 | 2.80 | 0.97 |