

220-240V 50 1~**GENERAL DATA****Application:** L/MBP**Refrigerant:** R134a**Evaporating Temperature Range:** -35°C to 5°C**Compressor Cooling:** Static**Type:** Hermetic reciprocating**Technology Type:** On-Off**Expansion Device:** Capillary Tube**Packing Quantity:** Multi - 88 pcs**Displacement:** 6.09 cm³**Horse power:** 1.6 hpApprovals:   **MECHANICAL DATA****Bore:** 21 mm**Stroke:** 17.6 mm**Oil Charge:** 150ml +/-15ml**Free Internal Volume:** 1.5 cm³**Maximum Recommended Refrigerant Charge:** 250 g**Oil Type Configuration:** Polyolester**Oil Type Viscosity:** ISO10**Compressor pressurization:** Light vacuum**Weight:** 7.8 kg**ELECTRICAL DATA****Motor Type:** RSIR**Starting Torque:** LST**Voltage working range at 50 Hz:** 198-254 V**Maximum Motor Temperature:** 130 °C**Start Winding Resistance:** 16.25 Ω (± 10%) at 25°C**Run Winding Resistance:** 17.6 Ω (± 10%) at 25°C**MOUNTING ACCESSORIES**

	Description	Code
Terminal Board:	no	-
Overload Protector Bracket:	no	-
Capacitor Bracket:	no	-
Washer:	no	-
Pin:	no	-
Clip:	no	-
Rotolock valve:	no	-
Cover:	yes	2075282
Anchorage:	yes	1027058
Grommets:	yes	2221011
Sleeves:	yes	2222018

ELECTRICAL COMPONENTS

	Component type	Description	Code
Starting Device:	PTC	PTC 230V	1260011
Motor Protection:	External 3/4"	AE19BU8	2288511

EXTERNAL CHARACTERISTICS**Base Plate:** European**Tray Holder:** No**Height:** 171 mm

	Internal Diameter (mm)	Material	Shape
Suction Connector	6.1	Copper	Slanted 42°
Discharge Connector	4.9	Copper	Straight
Process Connector	6.1	Copper	Slanted 46°

RATED POINT DATA

Cooling Capacity (W)	Power Consumption (W)	Current Consumption (A)	Gas Flow Rate (kg/h)	Efficiency (W/W)
±5%	±5%	±5%	±5%	±7%
167	119	0.90	3.23	1.40

Test condition: ASHRAE, Static, Return Gas 32.2°C, Evaporating: -23.3°C, Condensing: 54°C, Ambient: 32.2°C, Liquid: 32.2°C

PERFORMANCE CURVE DATA

220V 50Hz

Condensing Temperature (°C)	Evaporating Temperature (°C)	Cooling Capacity (W)	Power Consumption (W)	Current Consumption (A)	Gas Flow Rate (kg/h)	Efficiency (W/W)
		±5%	±5%	±5%	±5%	±7%
35°C	5	693	179	1.10	13.73	3.87
	0	569	168	1.05	11.23	3.39
	-5	464	156	1.01	9.10	2.96
	-10	374	145	0.97	7.31	2.59
	-15	298	132	0.94	5.80	2.25
	-20	233	120	0.91	4.53	1.95
	-25	179	107	0.88	3.46	1.67
	-30	131	94	0.86	2.54	1.40
	-35	89	80	0.84	1.72	1.11

Condensing Temperature (°C)	Evaporating Temperature (°C)	Cooling Capacity (W)	Power Consumption (W)	Current Consumption (A)	Gas Flow Rate (kg/h)	Efficiency (W/W)
		±5%	±5%	±5%	±5%	±7%
45°C	5	672	207	1.18	13.32	3.24
	0	550	190	1.12	10.85	2.89
	-5	446	173	1.06	8.76	2.57
	-10	359	157	1.01	7.01	2.28
	-15	286	141	0.96	5.56	2.02
	-20	224	126	0.92	4.36	1.78
	-25	173	111	0.89	3.36	1.56
	-30	130	96	0.86	2.52	1.35
	-35	93	82	0.84	1.79	1.13

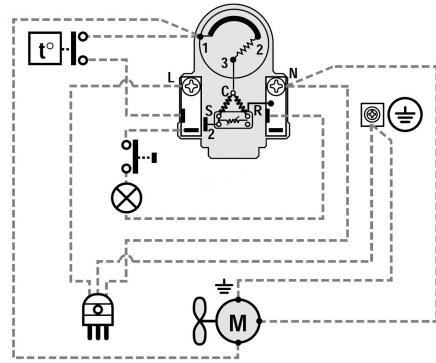
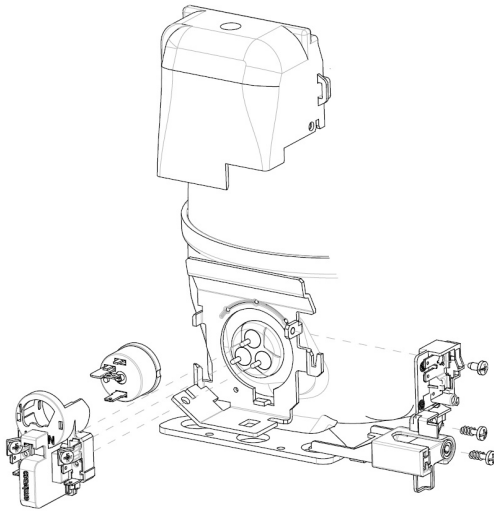
Condensing Temperature (°C)	Evaporating Temperature (°C)	Cooling Capacity (W)	Power Consumption (W)	Current Consumption (A)	Gas Flow Rate (kg/h)	Efficiency (W/W)
		±5%	±5%	±5%	±5%	±7%
55°C	5	642	234	1.27	12.73	2.75
	0	519	211	1.19	10.24	2.46
	-5	416	189	1.11	8.16	2.20
	-10	328	168	1.05	6.42	1.95

Condensing Temperature (°C)	Evaporating Temperature (°C)	Cooling Capacity (W)	Power Consumption (W)	Current Consumption (A)	Gas Flow Rate (kg/h)	Efficiency (W/W)
		±5%	±5%	±5%	±5%	±7%
55°C	-15	256	149	0.99	4.99	1.72
	-20	197	130	0.93	3.82	1.51
	-25	147	113	0.89	2.85	1.30

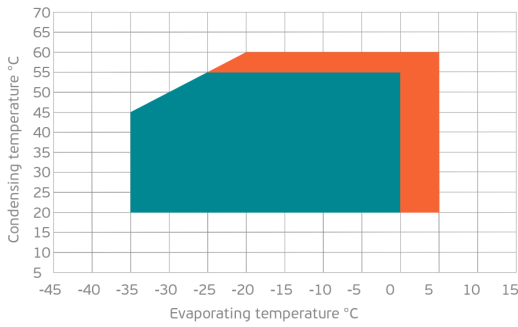
Test condition: ASHRAE, Static, Return Gas 32.2°C, Ambient: 32.2°C, Liquid: 32.2°C

ASSEMBLY INSTRUCTION

WIRING DIAGRAM

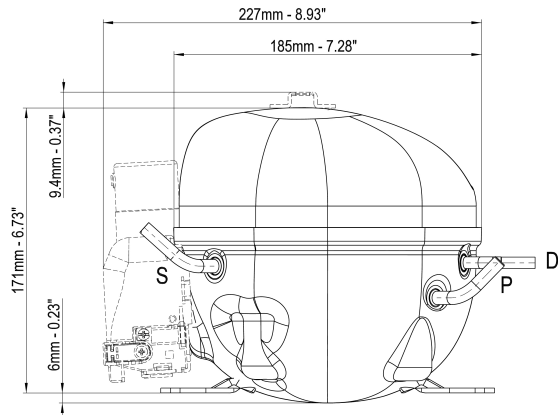


OPERATING ENVELOPE



- Operating Condition
- Transient Condition
- Superheating

NOTE: usage of compressors outside of intended working range cannot make use of the warranty, or should be consulted with Technical support.



	∅ mm	∅ in	Material
S - Suction	6.10 - 6.20	0.24	Cu
P - Process	6.10 - 6.20	0.24	Cu
D - Discharge	4.90 - 5.02	0.19	Cu

