

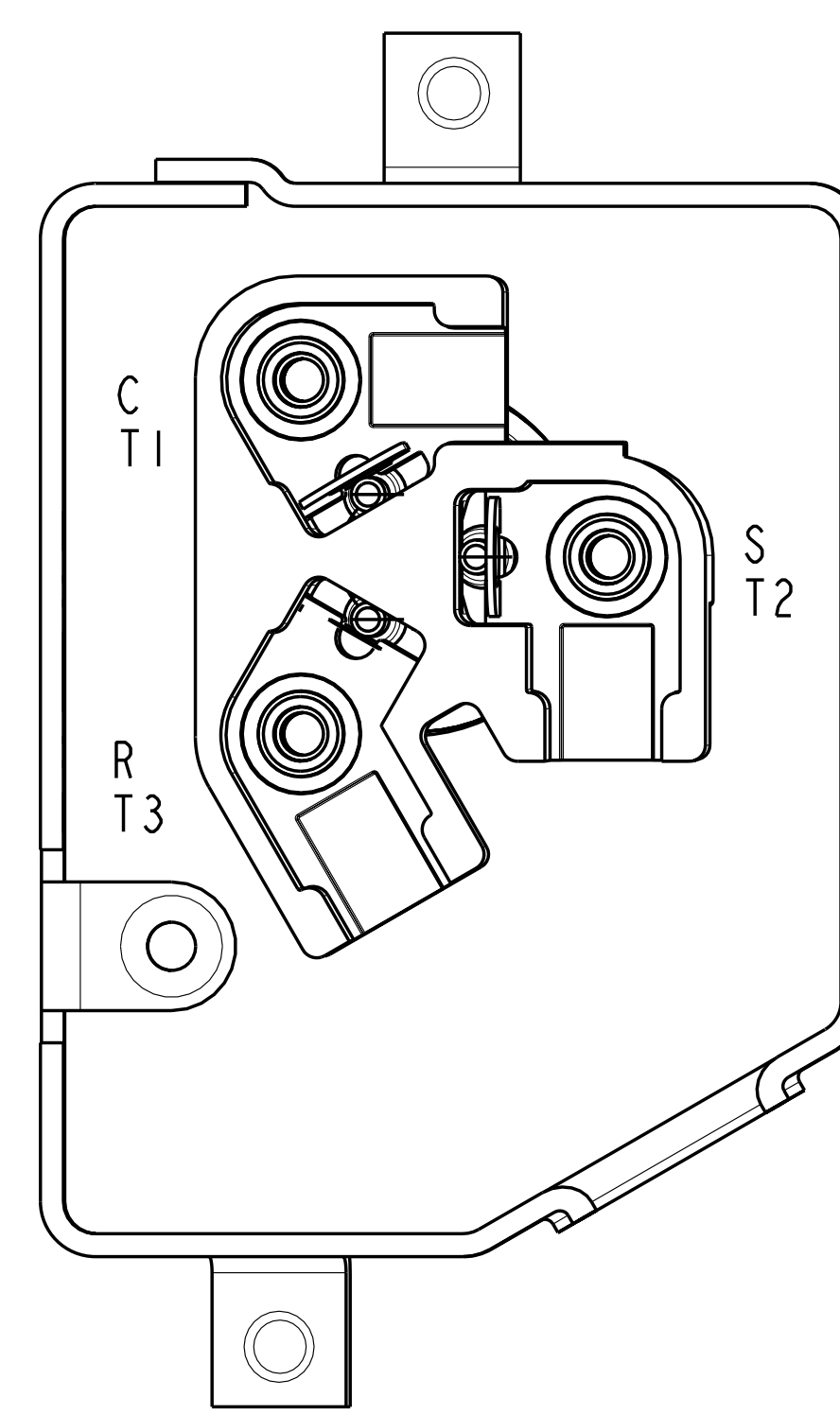
MODEL NUMBER

ZR46K3-PFV, TF5, TFD, TFE
ZR46KC/KCH-TF5
ZR49K3/K3E-PFV, TF5, TFD, TFE
ZR54K3/K3E-PFV, TF5, TFD, TFE
ZR54KC/KCE-TF5, TF7, TFD
ZR57K3-PFV, TF5, TFD, TFE
ZR57KC-TF5, TF7, TFD
ZR61K3/K3E-PFV, TF5, TFD, TFE
ZR61KC/KCE-TF5, TF7, TFD, TFE
ZR68KC/KCE-TF5, TF7, TFD, TFE
ZR72KC/KCE-TF5, TF7, TFD, TFE
ZR57KCE-TF7
ZR57K3E-TF5, TFD

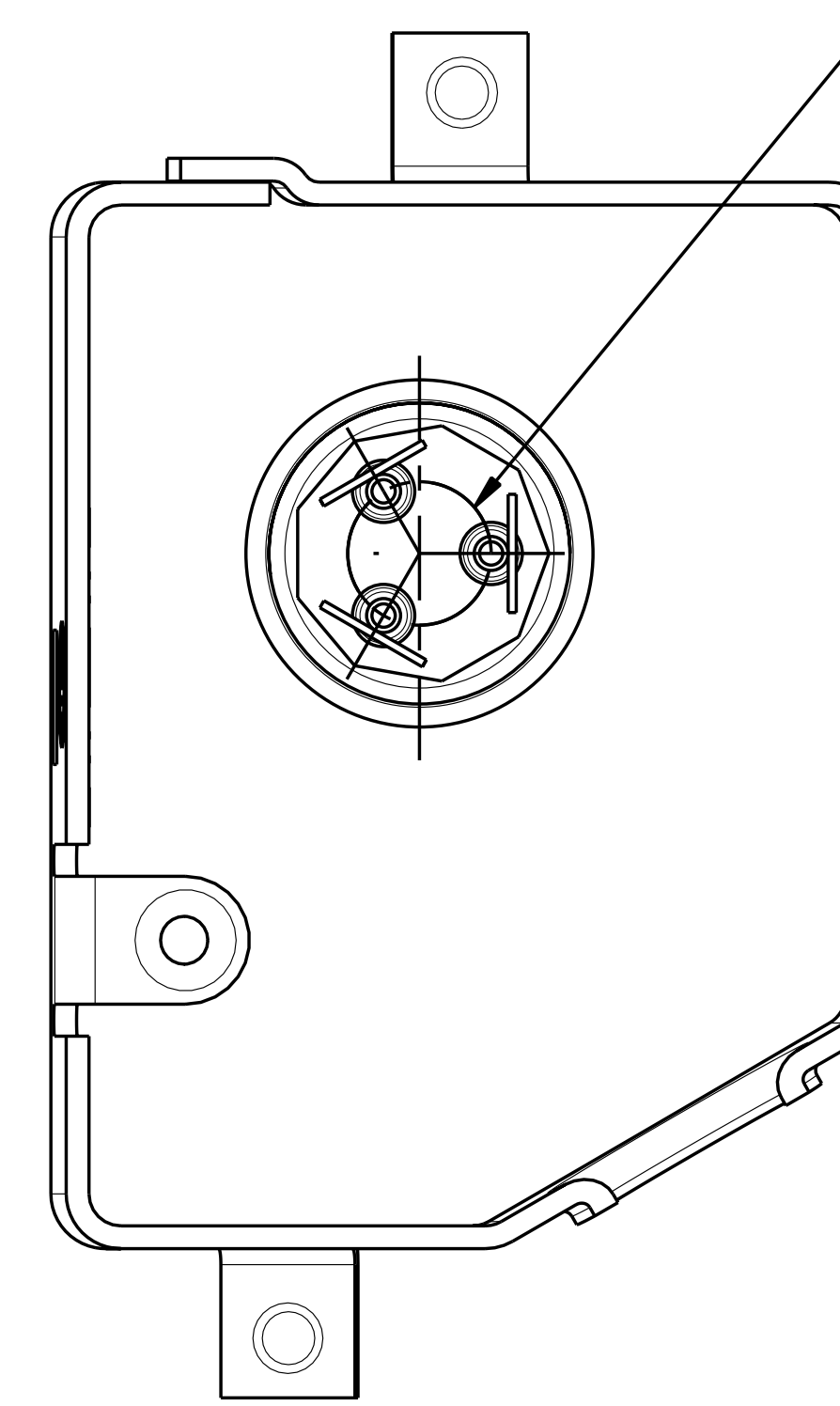
SPECIFICATIONS	
ES NO.	DESCRIPTION
ES92-155	CONVERSION-METRIC

NOTES:

- ALL TOLERANCES ± 1.50 [0.060] UNLESS OTHERWISE SPECIFIED.
- DUE TO ACCUMULATED ASSEMBLY TOLERANCES THE LISTED COMPONENTS MAY VARY FROM THE MOUNTING HOLES AS SHOWN BELOW:
- ALL FITTINGS : ± 3.0 [0.12]
- MOUNTING KIT.
- TUBE ENDS MUST BE PLUGGED.



T'BOX LAYOUT
OPTIONAL
SCALE 3:2

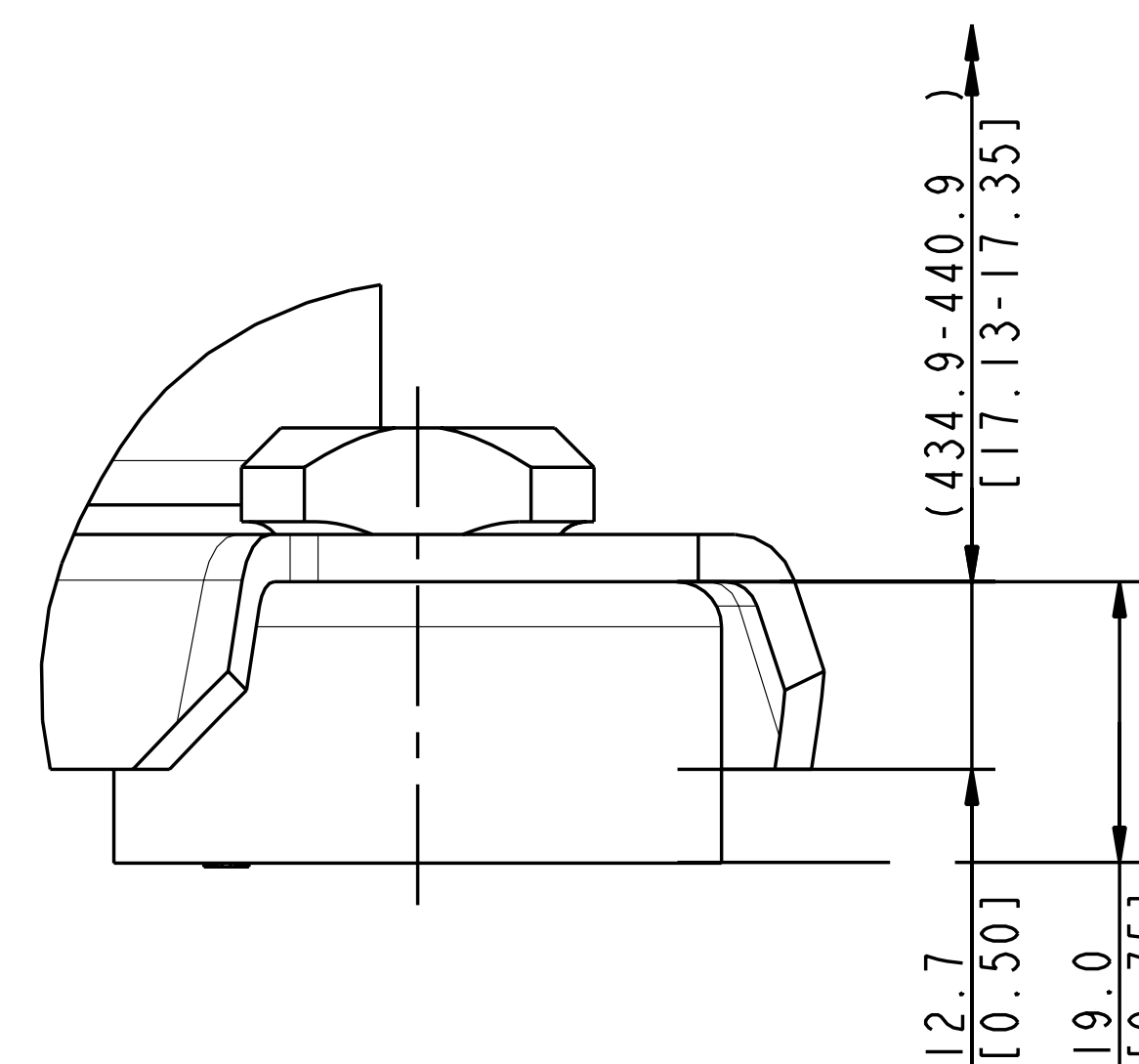
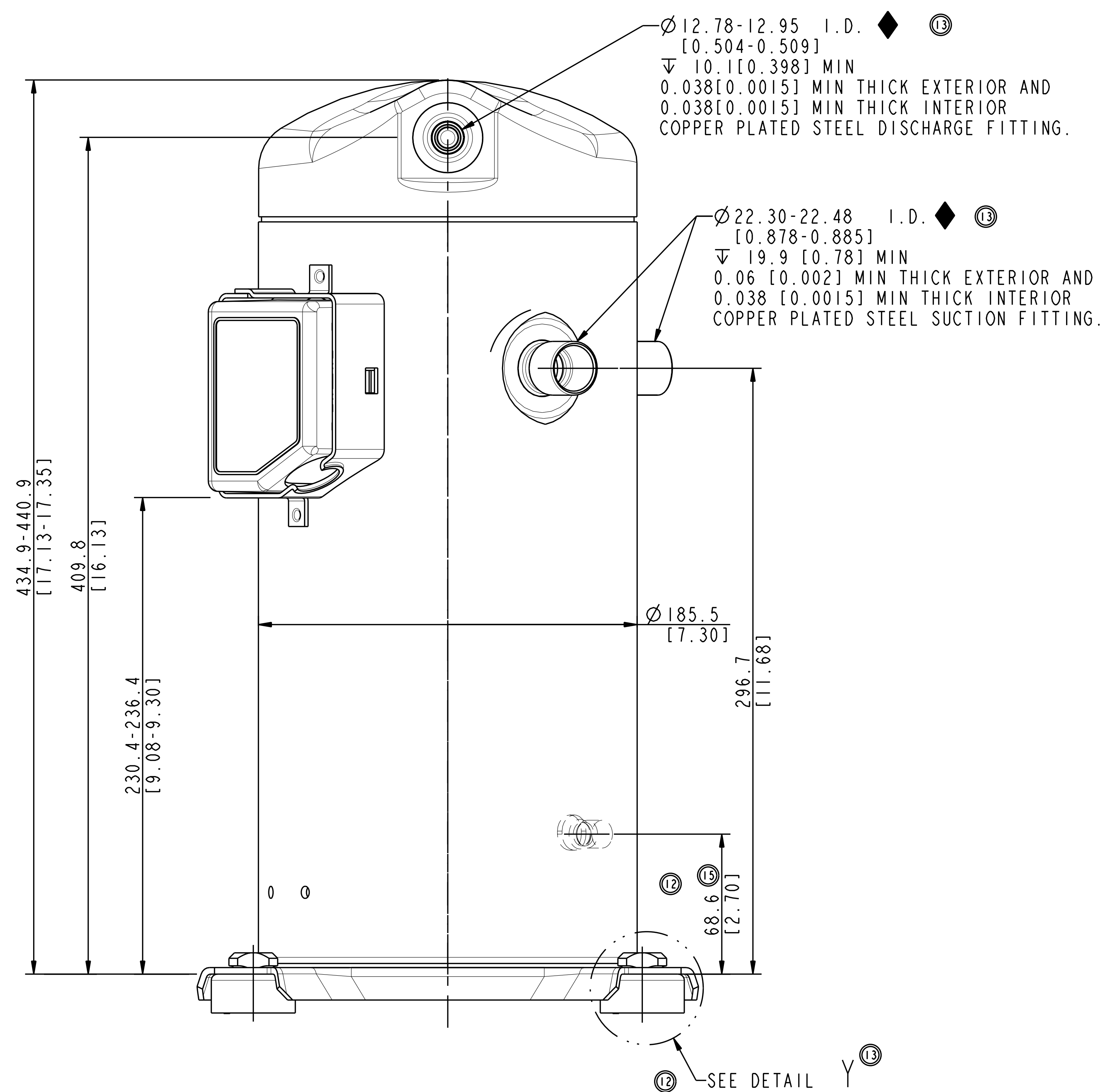
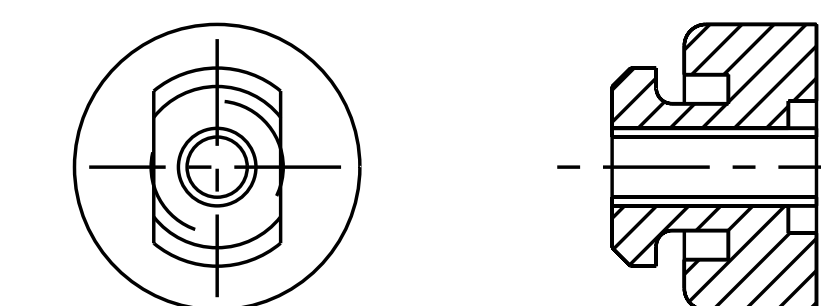


T'BOX LAYOUT
STANDARD
SCALE 3:2

Ø17.45 PIN CIRCLE [0.687]
MODELS: TFD, TFE, TF7

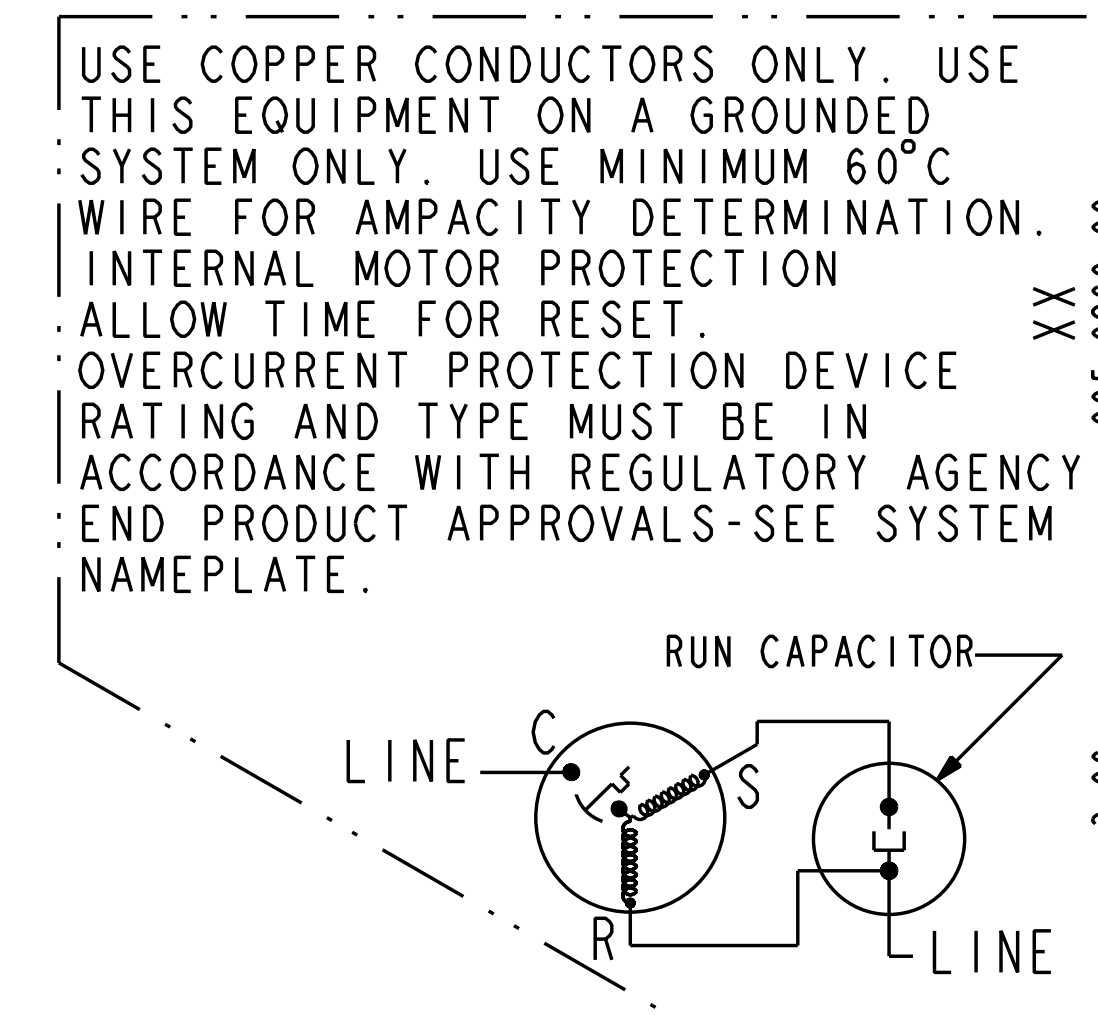
Ø13.46 PIN CIRCLE [0.530]
MODELS: PFV, TF5

MODELS	GROMMET DUROMETER	4 FOOT KIT
ZR#49 THRU 61	60-70	527-0212-00
ZR#68 THRU 81	STEEL	527-0181-00

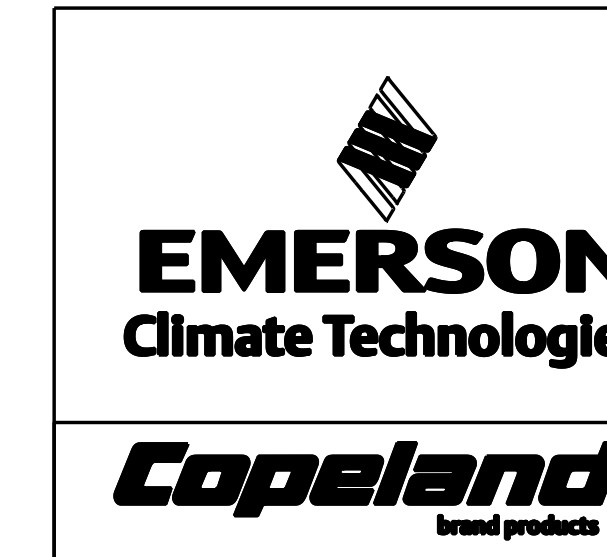
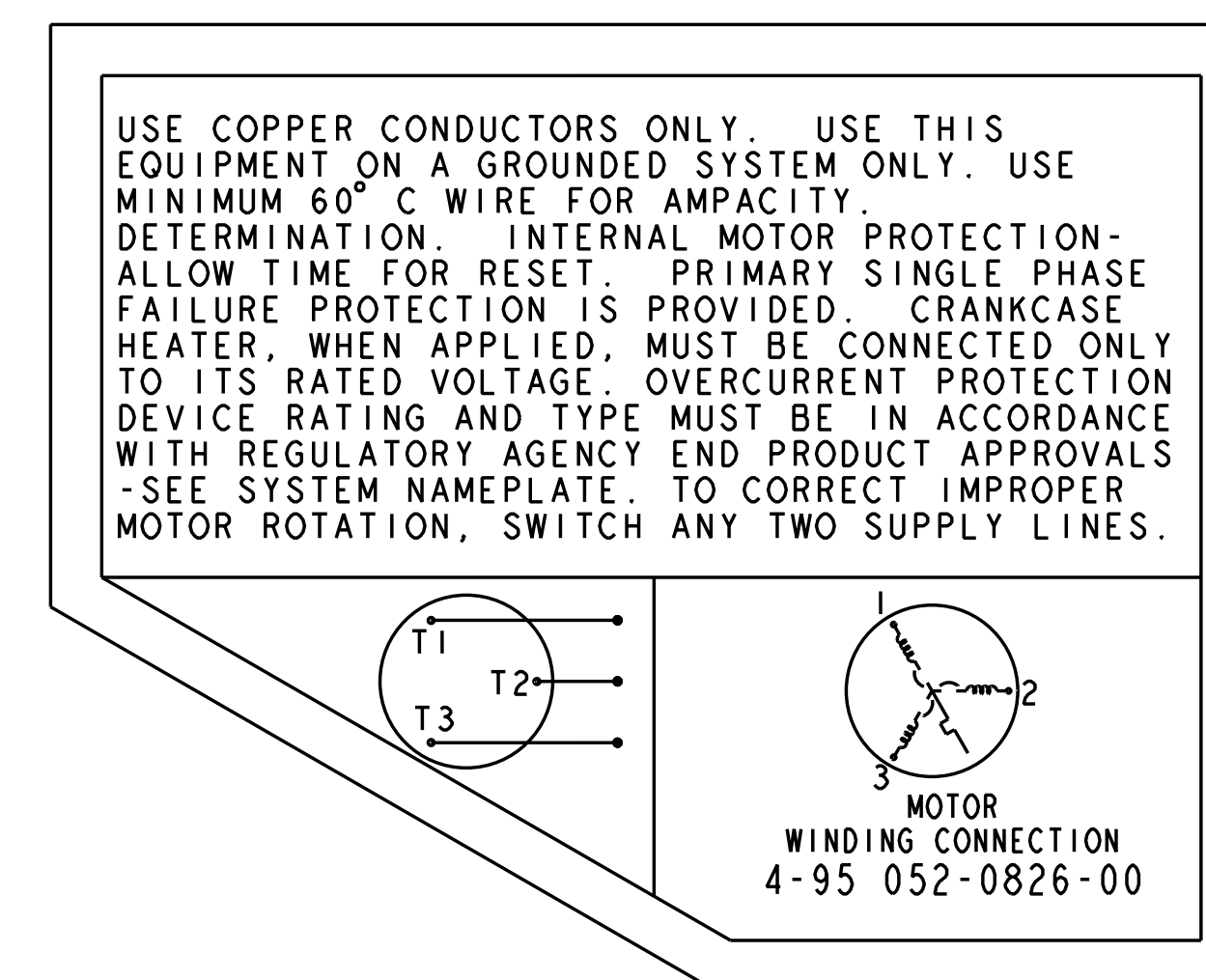


DETAIL Y
SCALE 2:1

COMPRESSOR WIRING DIAGRAM
SINGLE PHASE MOTOR WITH
INTERNAL PROTECTION



COMPRESSOR WIRING DIAGRAM
THREE PHASE MOTOR WITH
INTERNAL PROTECTION



INTERPRET PER ASME Y14.5M-1994 AND EMERSON CLIMATE TECHNOLOGIES, INC. DESIGN STANDARDS DS2002 DO NOT SCALE DRAWING

THIRD ANGLE PROJECTION

CRITICAL PRODUCT CHARACTERISTIC

UNLESS OTHERWISE SPECIFIED DIMENSIONS ARE MILLIMETER OR (INCH)

TOLERANCES:
1-PLACE \pm
2-PLACE \pm
ANGULAR \pm N/A

ECN	REV. NO.	DESCRIPTION	DATE	BY	CHKD	APPR
ECN008761	16	ADDED ZR61KCE-TFE	07-28-14	JLS	LLB	KJR
ECN007725	15	ADDED ZR57K3E-TF5, TFD	10-22-13	RRP	BR	KJR
ECN007693	14	ADDED ZR57KCE-TF7 MODEL	10-11-13	RRP	BR	KJR
ECN005628	13	REVISED DIMENSIONS	06-21-12	PPJ	MA	KJR
ECN000446	12	REPLACED SPACER MOUNTING ASSM WAS: 527-0180-00	01-28-08	SVK	EC	KJR
32-0906-047	11	CHANGED FORMAT FOR PROJECT INC	02-27-07	SVK	CHK	RST
32-0106-025	10	REVISED DIMENSIONS AND NOTES	02-10-06	BKM	EC	RST
32-0205-008	9	ADDED MODELS	03-16-05	KWM	GD	RST
32-0903-012	8	REDRAWN AND REVISED	04-15-03	MMD	GD	RST
32-0198-054	0	RELEASED	03-23-98	DC	GD	RST

THIS DRAWING AND INFORMATION CONTAINED HEREIN ARE THE EXCLUSIVE PROPERTY OF EMERSON CLIMATE TECHNOLOGIES, INC. AND SHALL BE RETURNED UPON DEMAND AND SHALL NOT BE REPRODUCED IN WHOLE OR IN PART, DISCLOSED TO ANYONE ELSE OR USED, WITHOUT THE WRITTEN CONSENT OF EMERSON CLIMATE TECHNOLOGIES, INC.

MATERIAL SPECIFICATION: N/A

DRAWN BY: OTL
DATE: 04-15-03
SUPERSEDES DWG. NO. / REV. NO.: 497-3785-00 / 1
SCALE: 3:4
DATE FORMAT: MM-DD-YY
DRAWING NUMBER: 497-3785-00
SHEET 1 OF 1

TITLE: REF DWG-WELD COMP ASSM