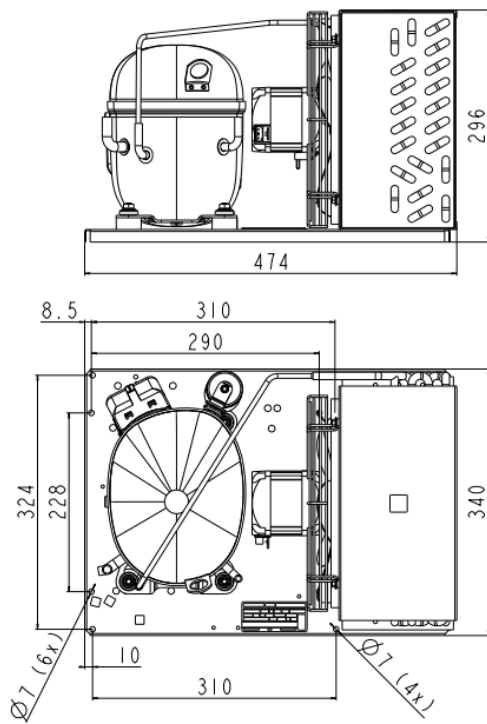


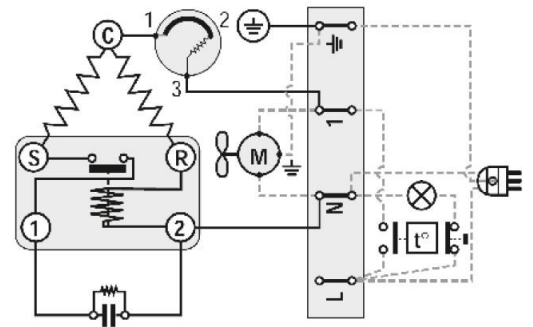
GENERAL DATA

| | |
|-----------------------------|------------------|
| Application: | LBP |
| Refrigerant: | R404A |
| Expansion Device: | C-V |
| Weight: | 26.4 kg |
| Receiver: | 0 liter |
| Voltage/Frequency: | 220 - 240 V 50 ~ |
| Height: | 26.4 mm |
| Length: | 474 mm |
| Width: | 340 mm |
| Institute Approvals: | CE |

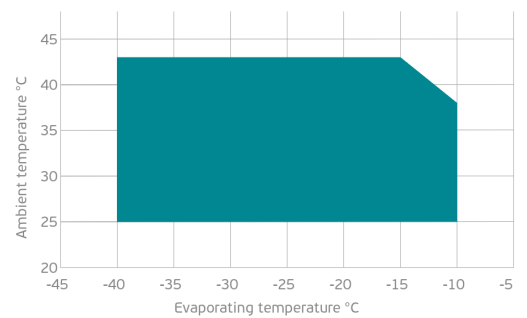
EXTERNAL DIMENSIONS



WIRING DIAGRAM



OPERATING ENVELOPE



COMPONENTS (SPARE PARTS)

| | | |
|----------------|----------------|------------|
| fankit: | 16W 254/28/5B | 1996579 |
| elkit: | ELKOM NT2178GK | 922EA0413A |

| | | |
|--------------------|----------|-------------|
| condenser: | 4R11T | 2451217 |
| compressor: | NT2178GK | 922EA04..AC |

For additional accessories please contact our technical support

ELECTRICAL DATA

Motor Type: CSIR -
Locked Rotor Amperage (LRA): 25 A
Max.Current: 4.24 A

At maximum evaporating temperature and maximum ambient temperature.

FAN MOTOR

Number: 1 -
Shaft Power: 16 W
Air Flow: 460 m³/h
Blade Diameter: 254 mm

PERFORMANCE CURVE DATA

Standard: EN13215-RG20 / return gas 20°C, subcooling 3K

50 Hz

| | Evaporating Temperature (°C) | Cooling Capacity (W) | Power Consumption (W) | Current Consumption (A) | Efficiency (W/W) |
|-------------------------------------|------------------------------|----------------------|-----------------------|-------------------------|------------------|
| 25 °C Ambient Temperature | -10°C | 1 480 | 864 | 5.05 | 1.71 |
| | -15°C | 1 245 | 774 | 4.69 | 1.61 |
| | -20°C | 1 031 | 690 | 4.38 | 1.49 |
| | -25°C | 840 | 613 | 4.10 | 1.37 |
| | -30°C | 671 | 542 | 3.87 | 1.24 |
| | Rated point -35°C | 524 | 477 | 3.67 | 1.10 |
| | -40°C | 398 | 418 | 3.52 | 0.95 |
| 32 °C Ambient Temperature | -10°C | 1 323 | 903 | 5.21 | 1.46 |
| | -15°C | 1 109 | 804 | 4.80 | 1.38 |
| | -20°C | 915 | 711 | 4.44 | 1.29 |
| | -25°C | 740 | 626 | 4.13 | 1.18 |
| | -30°C | 587 | 548 | 3.88 | 1.07 |
| | Rated point -35°C | 453 | 477 | 3.67 | 0.95 |
| | -40°C | 339 | 413 | 3.52 | 0.82 |
| 43 °C Ambient Temperature | -15°C | 842 | 860 | 5.01 | 0.98 |
| | -20°C | 686 | 752 | 4.58 | 0.91 |
| | -25°C | 547 | 653 | 4.22 | 0.84 |
| | -30°C | 426 | 563 | 3.92 | 0.76 |
| | Rated point -35°C | 322 | 482 | 3.69 | 0.67 |
| | -40°C | 234 | 409 | 3.52 | 0.57 |